



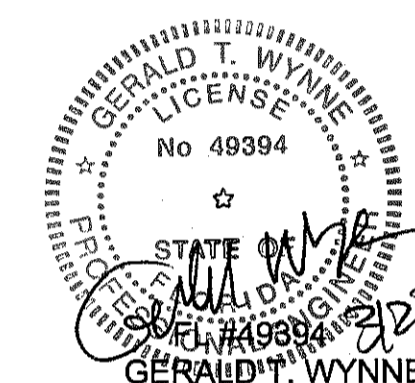
ARCHITECTURE
PLANNING
INTERIOR DESIGN

2425 WEST LOOP SOUTH
SUITE 665
HOUSTON TEXAS 77027
FAX 713-552-9810
713-552-0707
WWW.MGARCHITECTS.COM

CONSULTANTS

STRUCTURAL ENGINEER:
SCA Consulting Engineers
12511 Emily Court
Sugar Land, Texas 77478
C.O.A. #9406

M/E/P ENGINEER:
Henderson Engineers



Aloma Walk Branch
Aloma Ave.
Oviedo, FL 32765

ISSUE:

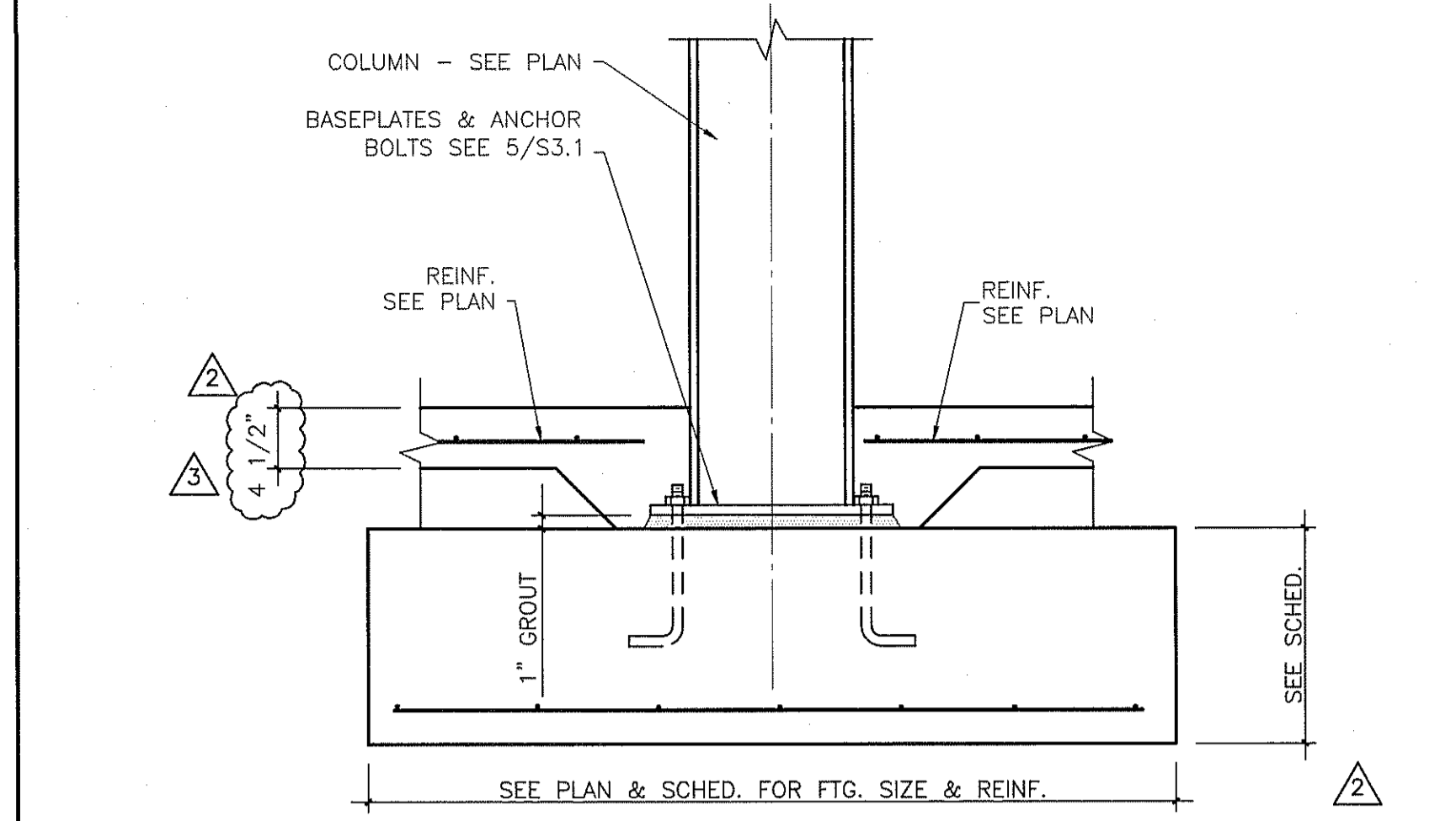
MARK	DATE	DESCRIPTION
	10-12-09	PRICING ISSUE
	11-23-09	INTERNAL REVIEW
	12-02-09	ISSUE FOR PERMIT
	03-15-10	BUILDING REVISIONS
	03-17-10	ASH #2

PROJECT NO:
09-529.a

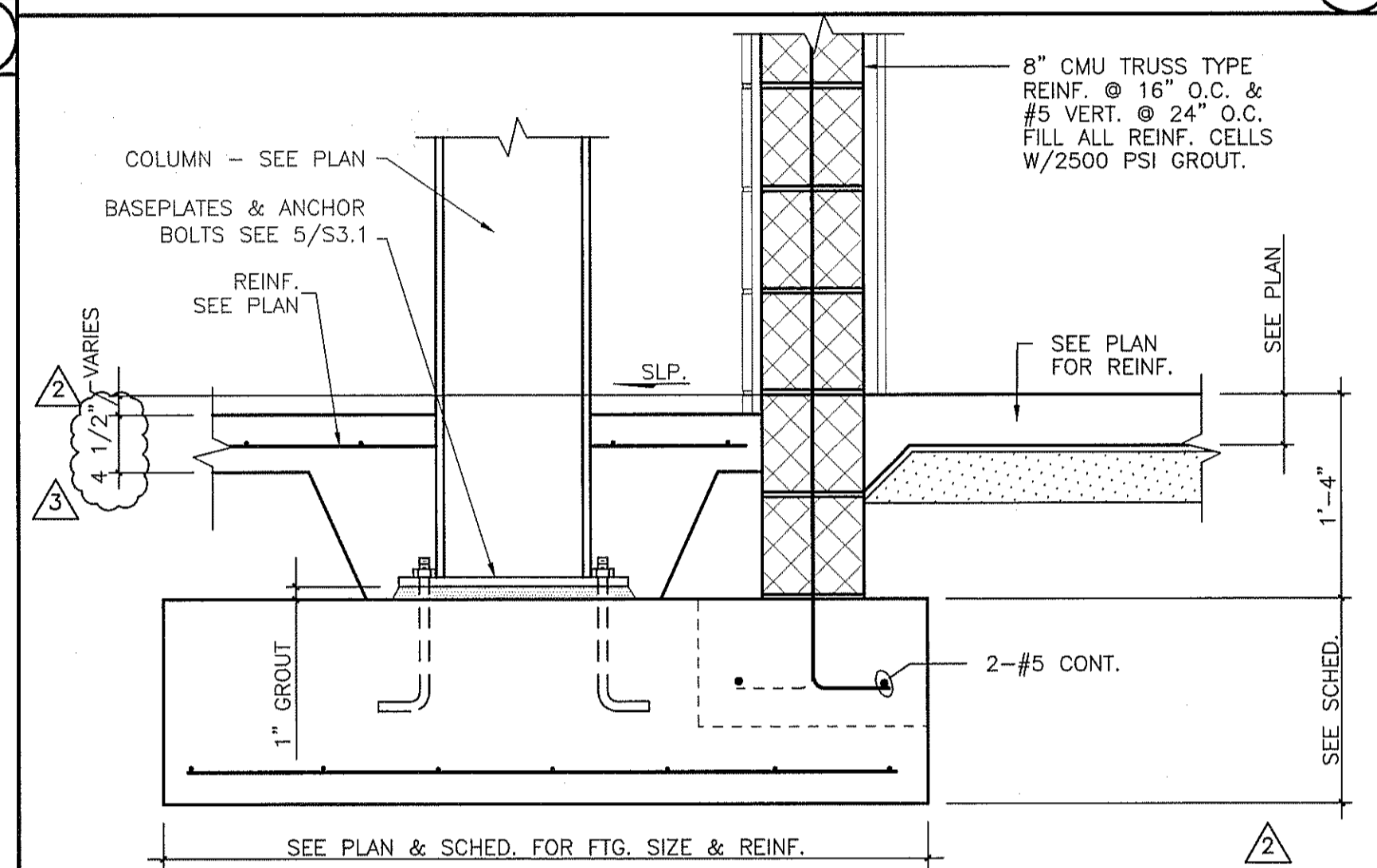
FOUNDATION DETAIL

S3.2

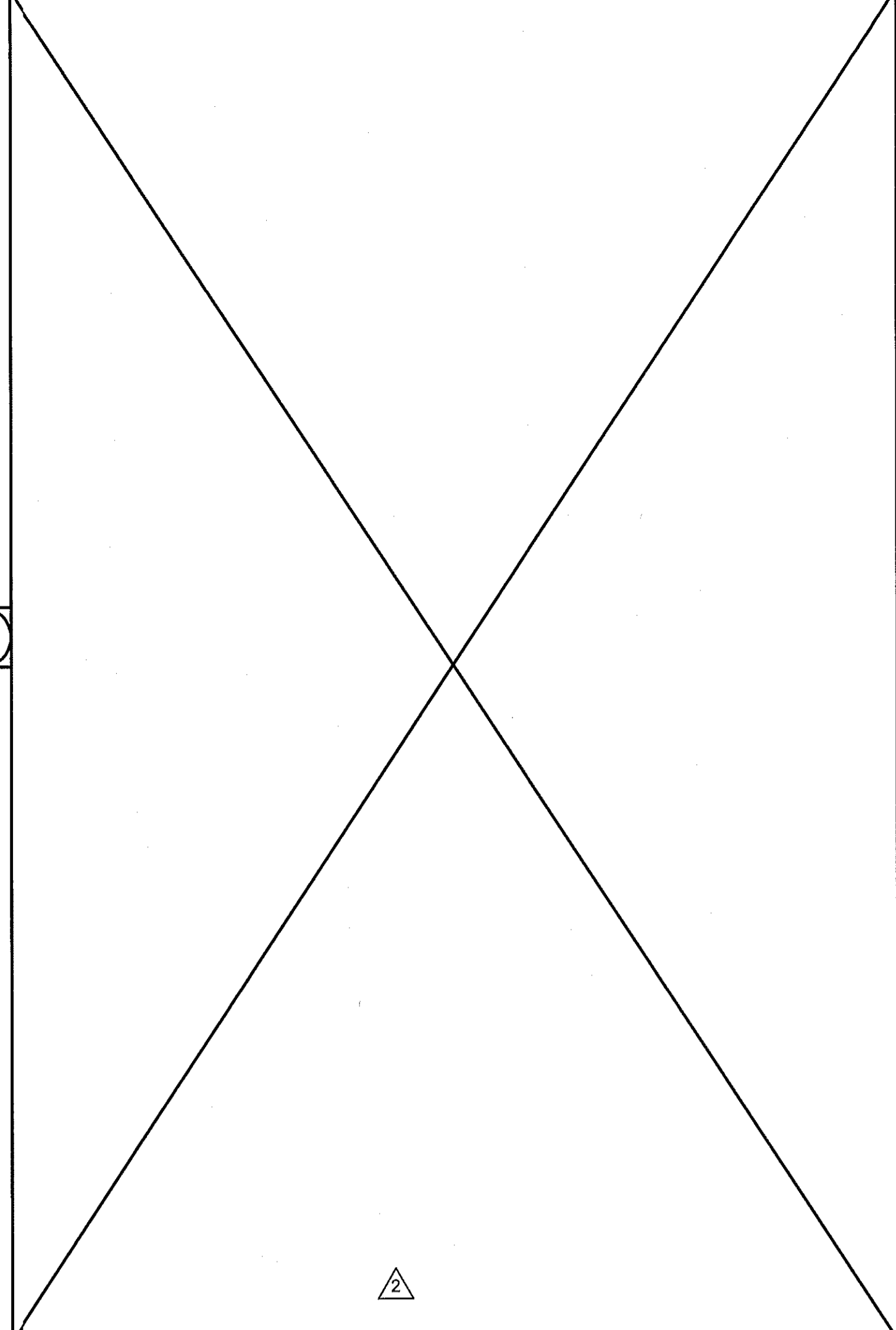
JAL29202



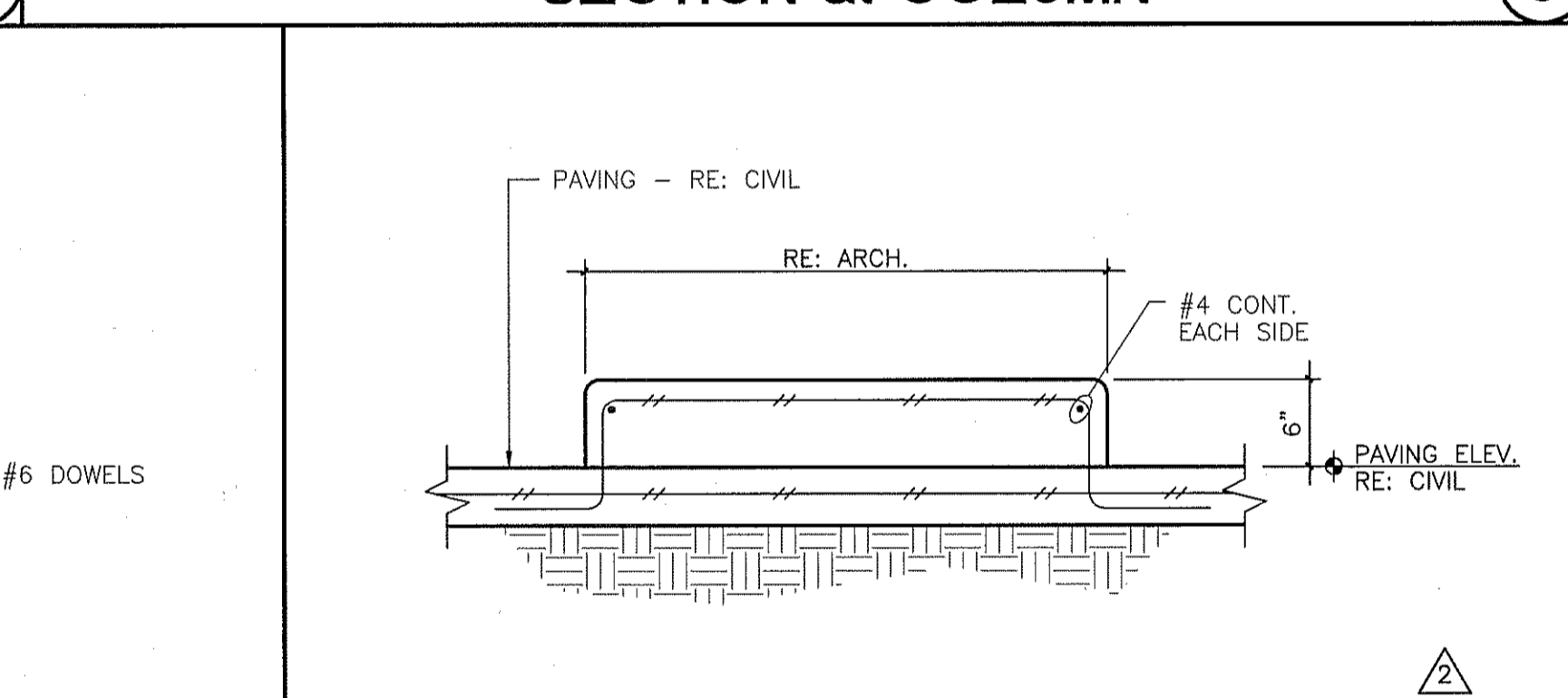
SECTION at COLUMN (10)



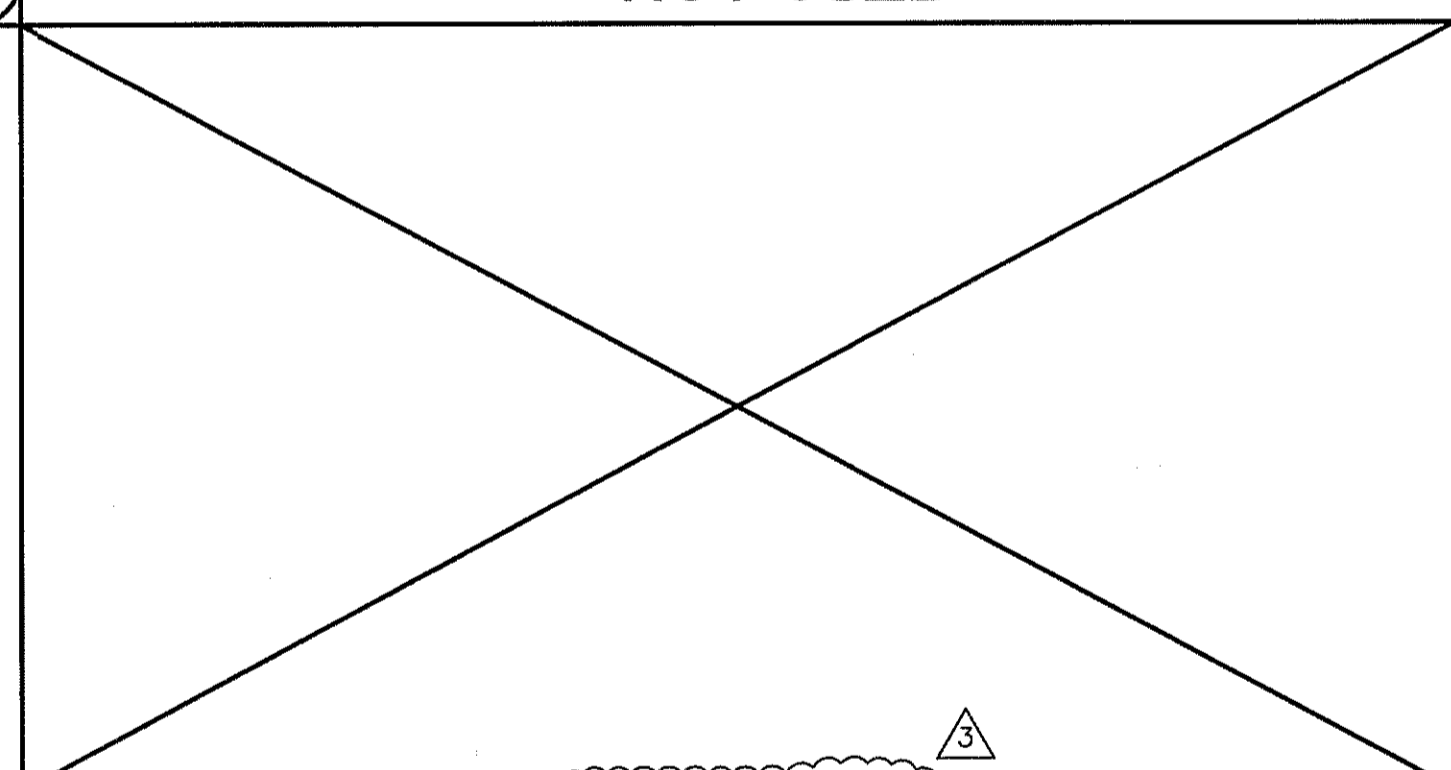
SECTION at COLUMN (5)



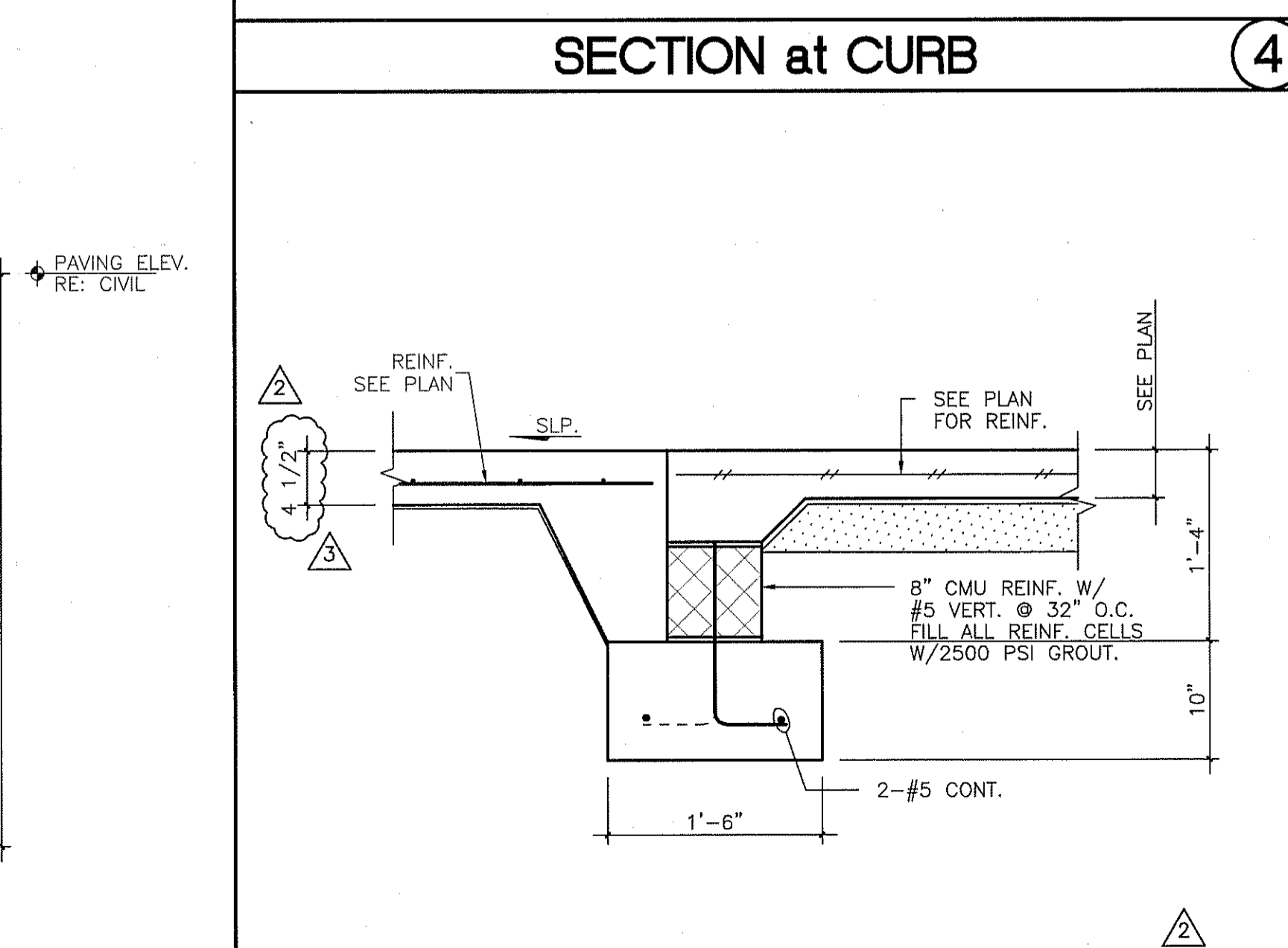
NOT USED



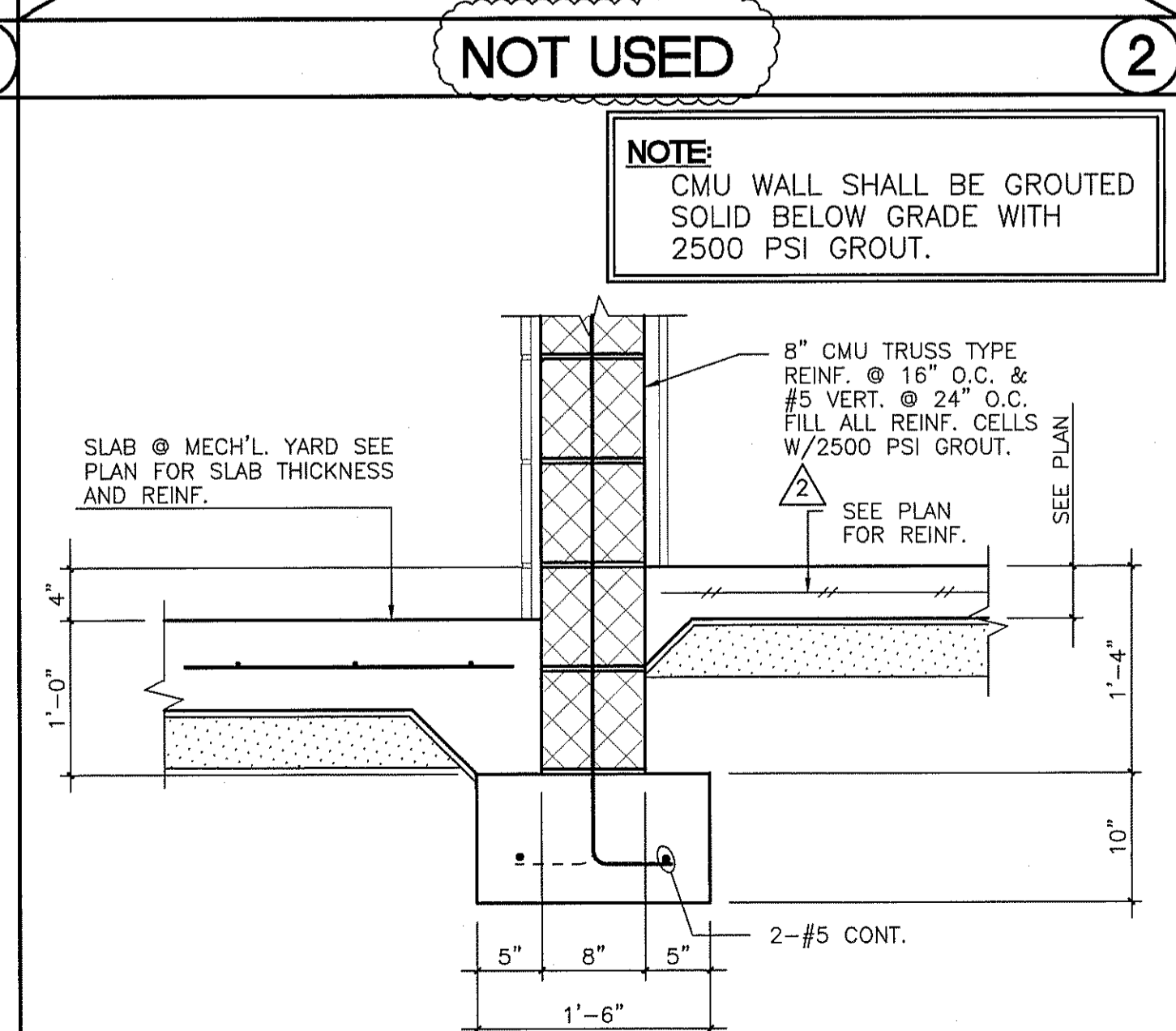
SECTION at CURB (4)



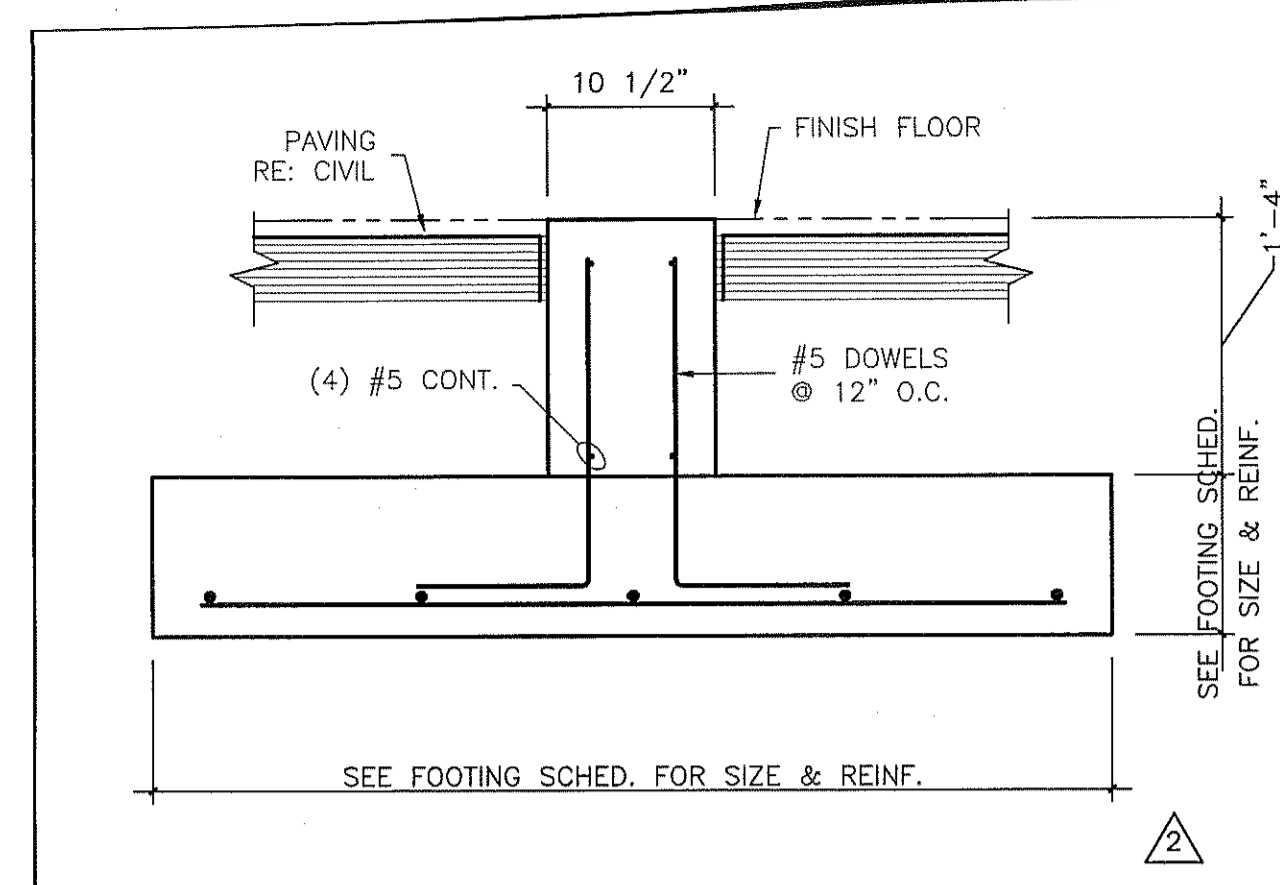
NOT USED



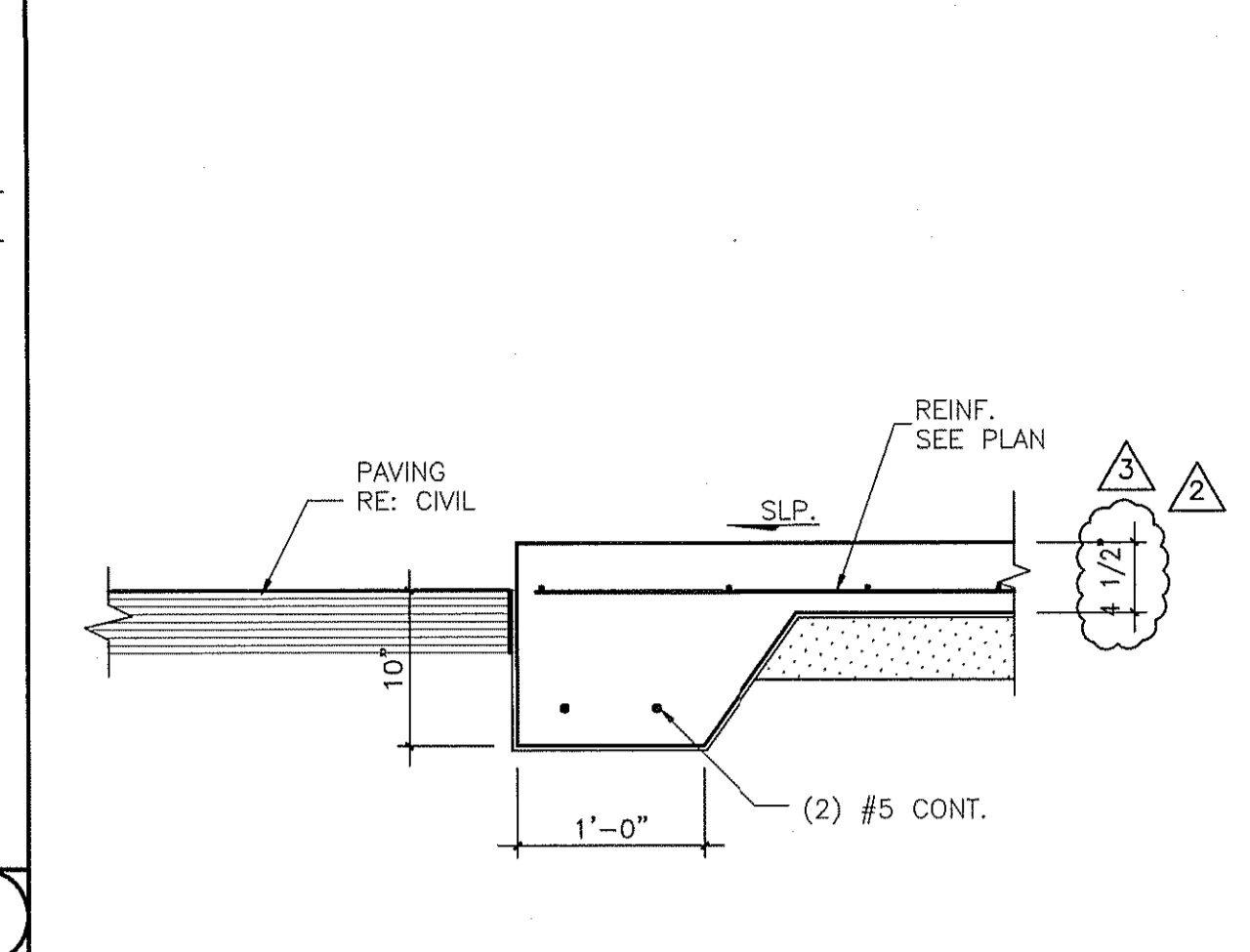
SECTION at FOOTING (3)



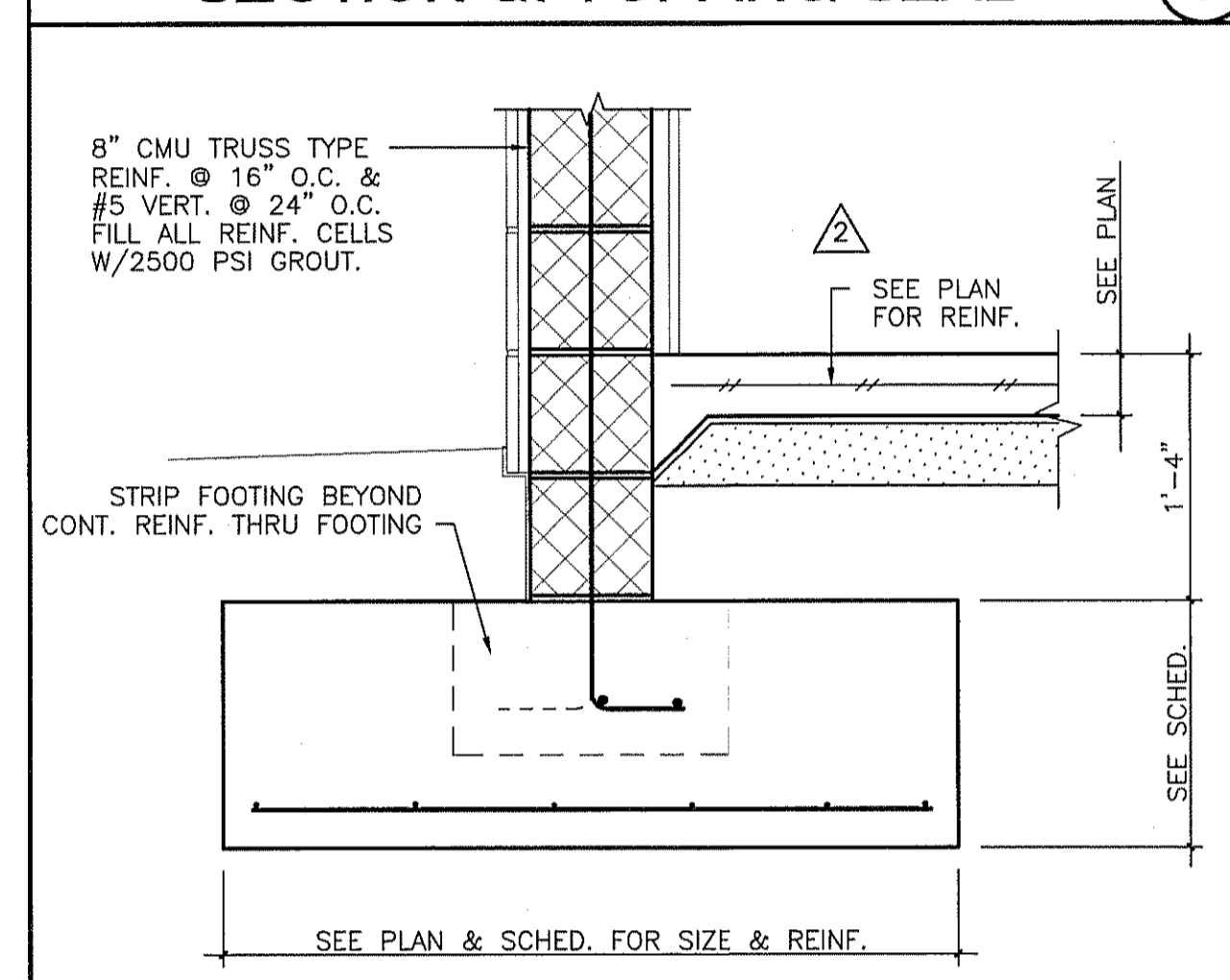
WALL SECTION (1)



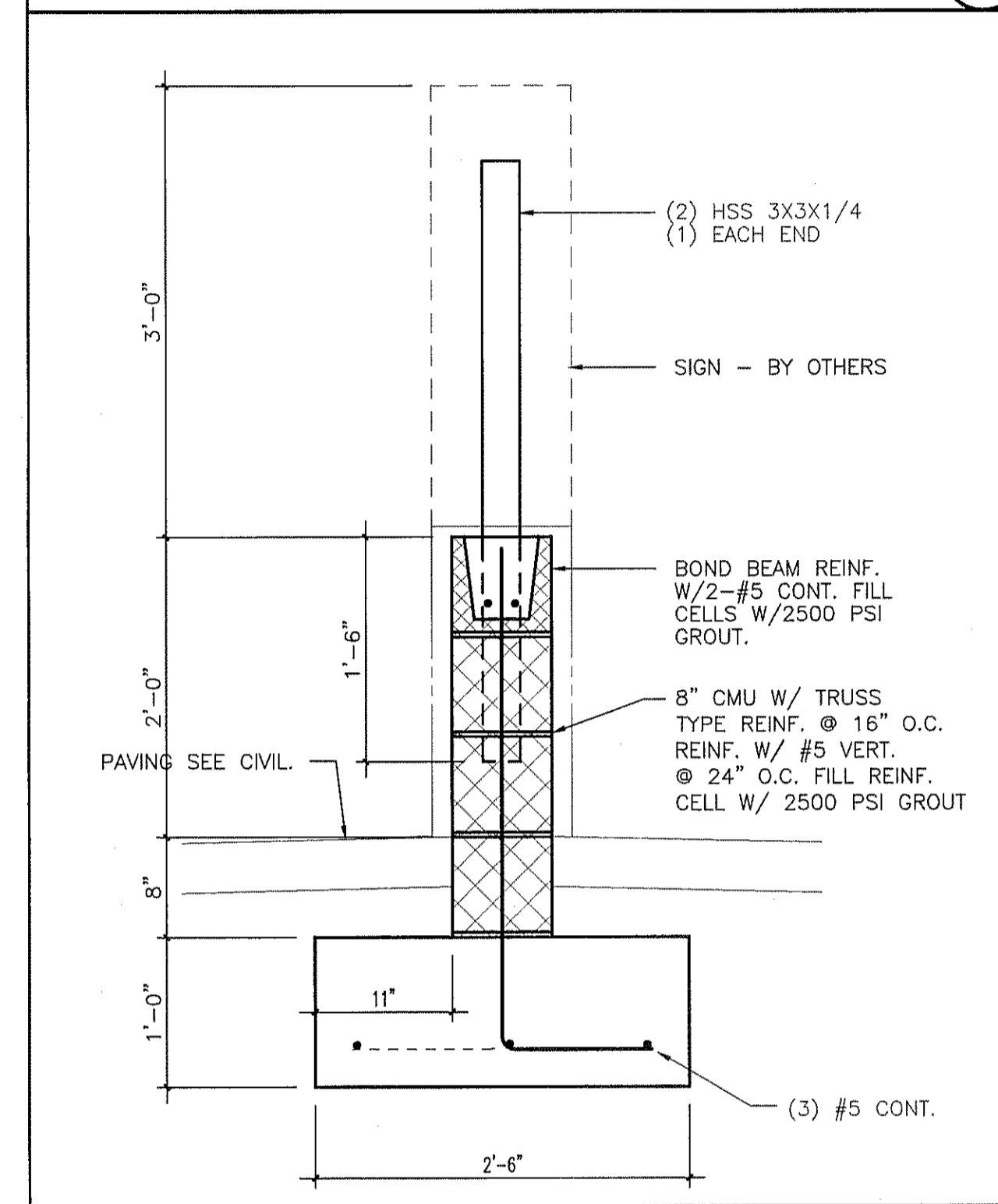
SECTION at WING WALL (11)



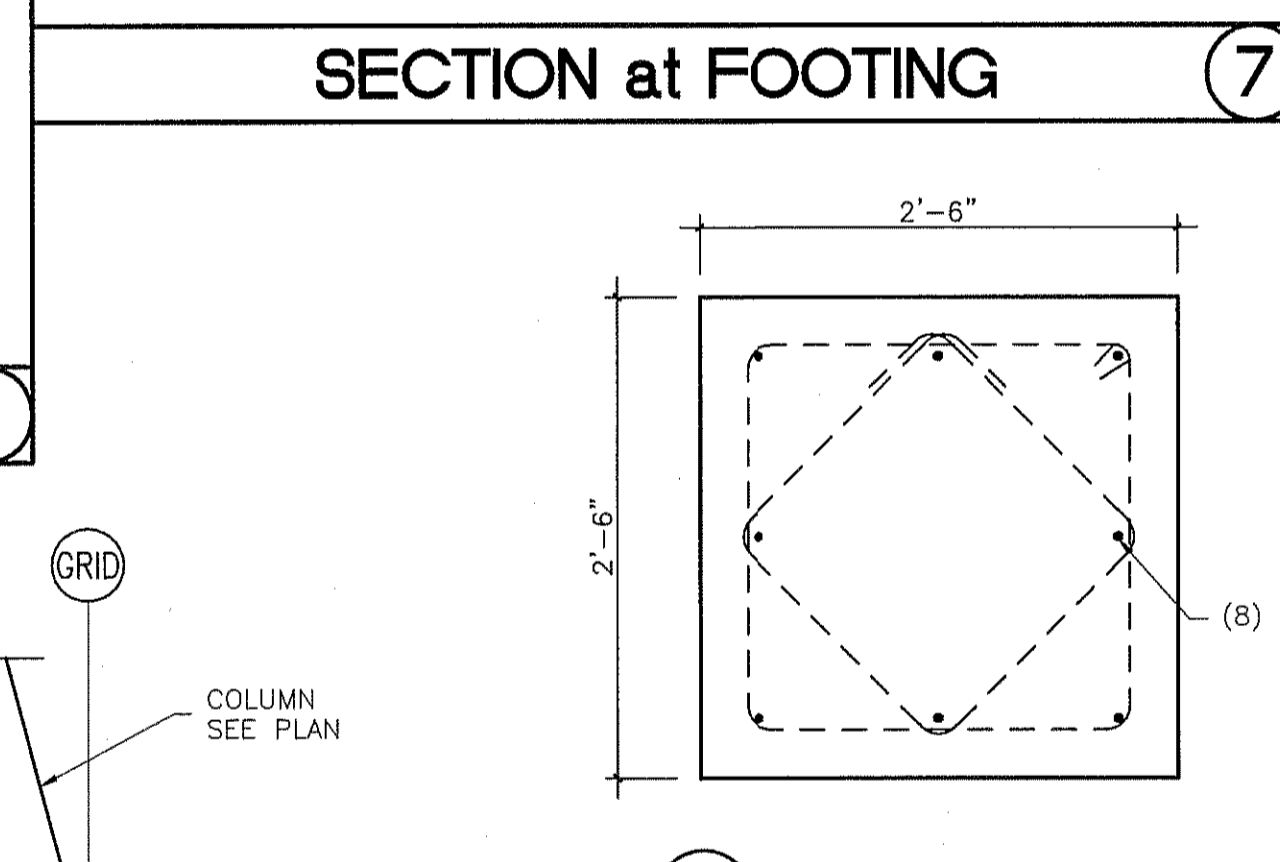
SECTION at TOPPING SLAB (8)



SECTION at FOOTING (7)



SECTION at MONUMENT SIGN (9)



SECTION at DRIVE THRU COLUMN (6)

