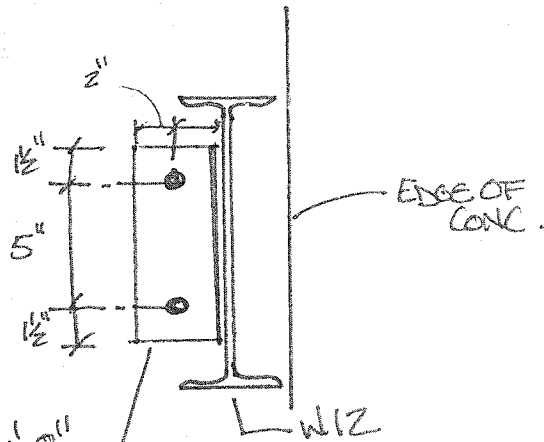
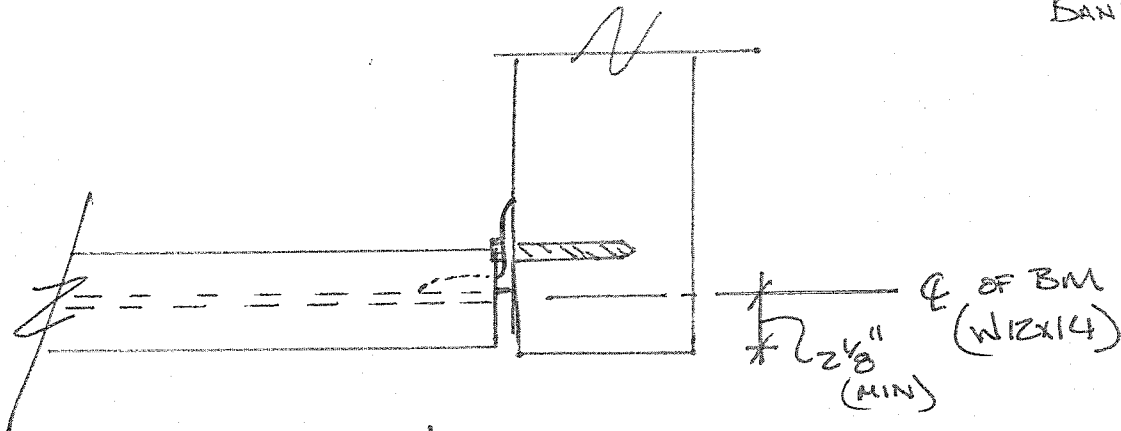
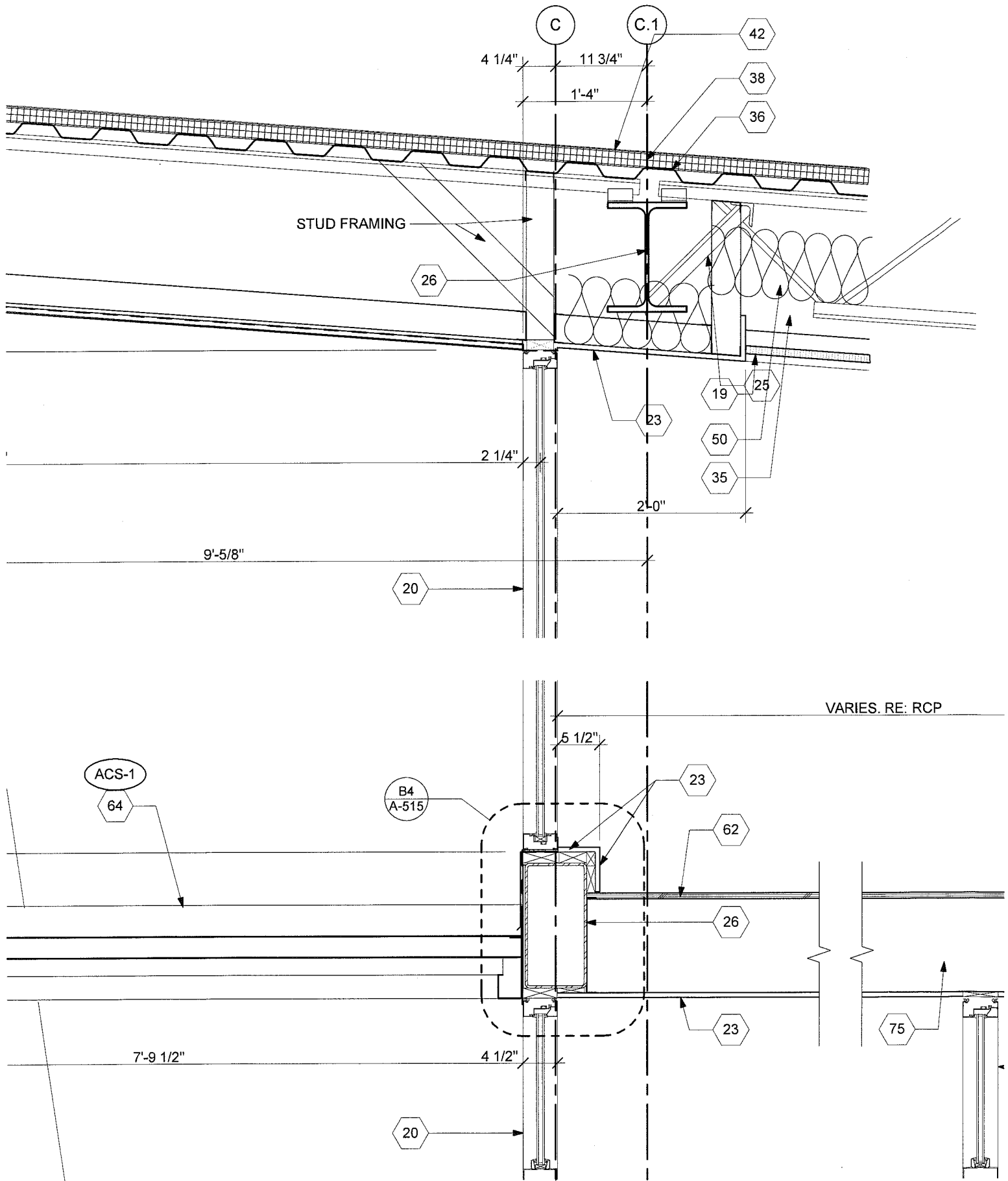


SCA # 29202
BANK FIRST



4x4x1/4x0'-8"
FASTEN TO CONC. w/ (2) 1/2" ϕ X 3 5/8" EMBED
TITEN HD ANCHORS.
WELD TO BM w/ 3/16" FILLET WELD

DETAIL @ LOCATION "A" ON STEEL SHOPS
DETAIL SIMILAR FOR OTHER LOCATIONS



2

Window Wall section

SCALE: 3/4" = 1'-0"