

**PLUMBING GENERAL NOTES**

- COORDINATE ALL PIPING ROUTING WITH ALL OTHER TRADES PRIOR TO INSTALLATION. ROUTE ALL PIPING TO AVOID DUCTWORK, ELECTRICAL RACEWAYS, AND BUILDING STRUCTURE. IF PENETRATIONS THROUGH STRUCTURAL MEMBERS ARE REQUIRED FOR PLUMBING INSTALLATIONS, NOTIFY ARCHITECT AND STRUCTURAL ENGINEER PRIOR TO INSTALLATION TO INSURE THAT STRUCTURAL INTEGRITY IS MAINTAINED.
- ROUTE ALL PIPING CONCEALED ABOVE CEILINGS, WITHIN WALLS, OR IN CHASES EXCEPT AS SPECIFICALLY NOTED, OR IN MECHANICAL ROOMS. PIPING SHALL NOT BE RUN THRU ELECTRICAL ROOMS OR CLOSETS.
- SLEEVE AND FIRE STOP ALL PENETRATIONS OF RATED WALLS, CEILING, FLOORS, ETC. IN ACCORDANCE WITH APPLICABLE UL STANDARDS AND LOCAL CODES TO MAINTAIN RATINGS. SEE SPECIFICATION. SEE ARCHITECTURAL DRAWINGS FOR RATED WALLS AND FLOORS.
- ALL PIPING RUN WITHIN RATED WALLS SHALL BE CONSTRUCTED OF NON-COMBUSTIBLE MATERIAL.
- PIPE ROUTING SHOWN IS SCHEMATIC AND IS INTENDED TO INDICATE GENERAL ROUTING. PLUMBING CONTRACTOR SHALL PROVIDE ANY ADDITIONAL OFFSETS AND FITTINGS REQUIRED FOR PROPER INSTALLATION AND TO MAINTAIN CLEARANCES AS ENCOUNTERED IN FIELD.
- ALL PLUMBING INSTALLATION AND MATERIALS SHALL BE IN STRICT ACCORDANCE WITH ALL LOCAL, STATE AND FEDERAL CODES AND APPLICABLE STANDARDS, REGULATIONS AND AUTHORITIES HAVING JURISDICTION OVER THIS PROJECT.
- PROVIDE ACCESS PANELS TO ALL VALVES WITHIN CHASES OR ABOVE NON-ACCESSIBLE CEILING. REFER TO ARCHITECTURAL DRAWINGS FOR CEILING TYPES.
- INSTALL WATER HAMMER SHOCK ARRESTORS AT EACH FIXTURE OR BATTERY OF FIXTURES WHERE REQUIRED. ARRESTORS SHALL BE FACTORY-FABRICATED. INSTALL ARRESTORS AND SIZE PER PLUMBING AND DRAINAGE INSTITUTE STANDARD P.D.I. WH-201. ACCEPTED MANUFACTURERS - SIOUX CHIEF, JOSAM, JAY R. SMITH, WATTS (NO.15 SERIES), WADE. AIR CHAMBERS ARE NOT ACCEPTABLE.
- SITE CONNECTIONS SHALL BE PROVIDED ON CIVIL SITE UTILITIES DRAWINGS. ALL SERVICES SHOWN ON THIS SET OF PLANS TERMINATE 5'-0" FROM BUILDING, UNLESS SHOWN OTHERWISE ON DRAWINGS. THIS CONTRACTOR SHALL MAKE ALL FINAL PLUMBING SERVICE CONNECTIONS TO SITE WORK UTILITIES.
- DRAINAGE PIPING 3" AND LESS SHALL SLOPE NO LESS THAN 1/4" FALL PER FOOT AND 4" AND GREATER SHALL SLOPE NO LESS THAN 1/8" FALL PER FOOT. SEE SPECIFICATION.
- SEE ARCHITECTURAL DRAWINGS FOR EXACT PLUMBING FIXTURE LOCATIONS, MOUNTING HEIGHTS, DIMENSIONS, AND HANDICAPPED REQUIREMENTS.
- VERIFY INVERT ELEVATIONS AND EXACT LOCATIONS OF SEWERS TO WHICH NEW SEWER LINES ARE TO BE CONNECTED BEFORE INSTALLATION.
- ALL VENTS THROUGH ROOF SHALL BE MIN. 10' - 0" FROM ANY AIR INTAKES.
- PLUMBING CONTRACTOR SHALL INSTALL DIELECTRIC UNIONS AT ALL CONNECTIONS OF DISSIMILAR METALS.
- PLUMBING CONTRACTOR SHALL VERIFY EXACT SIZE AND LOCATION OF ALL EXISTING WASTE AND WATER PIPING IN FIELD PRIOR TO START OF CONSTRUCTION.
- SANITARY WASTE AND VENT PIPING SHALL BE SCHEDULE 40 PVC WITH DWV FITTINGS. DOMESTIC WATER PIPING SHALL BE COPPER WITH WROUGHT COPPER FITTINGS.
- CONTRACTOR SHALL SAW CUT EXISTING FLOOR SLAB FOR INSTALLATION OF NEW SANITARY WASTE PIPING AS REQUIRED. COORDINATE WITH GENERAL CONTRACTOR PRIOR TO CUTTING FLOOR AND FOR PATCHING.
- DO NOT PENETRATE WALL FOOTINGS WITH PIPING, COORDINATE WITH GENERAL CONTRACTOR TO DROP FOOTINGS FOR SLEEVED STEM WALL PENETRATIONS AS REQUIRED TO CLEAR PLUMBING SERVICES WHERE ABSOLUTELY NECESSARY.
- DURING THE PROGRESS OF WORK THE PLUMBING CONTRACTOR SHALL MAINTAIN AN ACCURATE RECORD OF ALL CHANGES MADE TO THE PLUMBING SYSTEM. THE RECORD AS-BUILT DRAWINGS SHALL SHOW, CHANGES, DIMENSIONS, LOCATIONS OF ALL BURIED WASTE, VENT AND WATER PIPING. CHANGES SHALL BE DONE IN AUTOCAD PLS RELEASE 13 OR LATER AND SUBMITTED TO THE ARCHITECT AT FINAL COMPLETION.
- PLUMBING CONTRACTOR SHALL PROVIDE SHOP DRAWINGS FOR ALL FIXTURES, VALVES, INSULATION, PIPES AND ALL OTHER MATERIALS TO THE ARCHITECT FOR REVIEW AND APPROVAL PRIOR TO PURCHASE OR INSTALLATION.

**PLUMBING SPECIFICATIONS**

**PLUMBING SPECIFICATIONS**

**GENERAL**

THE GENERAL MECHANICAL SPECIFICATIONS APPLY TO THE WORK SPECIFIED IN THIS SECTION.

**SCOPE OF WORK**

FURNISH AND INSTALL COMPLETE PLUMBING SYSTEM AS INDICATED ON THE DESIGN DRAWINGS AND AS OUTLINED WITHIN THESE SPECIFICATIONS. WORK SHALL INCLUDE BUT NOT BE LIMITED TO THE FABRICATION AND/OR INSTALLATION OF THE SCHEDULED PLUMBING FIXTURES AND RELATED PIPING AND SELECTIVE DEMOLITION. THE COMPLETED PLUMBING SYSTEM SHALL MEET ALL APPLICABLE CODES AND STANDARDS.

**WATER SUPPLY SYSTEM**

EXTEND WATER SERVICE AS INDICATED ON DESIGN DRAWINGS.

ALL CHLORINATED POLYVINYL CHLORIDE (CPVC) SOLVENT TO MEET ASTM D-2846 & F-493 ALL CPVC PRIMER TO MEET THE PERFORMANCE OF ASTM F-656

PROVIDE SHOCK ABSORBERS AND VACUUM BREAKERS WHERE REQUIRED.

PIPE AND FITTINGS ABOVE GROUND - CPVC

PIPE AND FITTINGS BELOW GROUND - CPVC.

VALVES (2-1/2 INCH AND SMALLER) TWO PIECE 600 PSI WSP FULL PORT BRONZE BODY BALL VALVE WITH THREADED ENDS, LOCKABLE LEVER HANDLE AND REPLACEABLE TEFLON OR TFE SEATS

CHLORINATION - BEFORE BEING PLACED IN SERVICE ALL WATER DISTRIBUTION SYSTEMS SHALL BE STERILIZED WITH CHLORINE IN ACCORDANCE WITH AWWA C-601-54 STANDARD PROCEDURE FOR DISINFECTING WATER MAINS.

INSULATE COLD WATER, HOT WATER, AND HOT WATER RETURN PIPING WITH 1" ARMAFLEX RP INSULATION OR EQUAL. INSULATION TO BE FIRE RATED FOR USE IN RETURN AIR PLENUM.

**CONNECTIONS TO MISCELLANEOUS EQUIPMENT**

ROUGH-IN AND CONNECT WATER, WASTE, AND VENT TO COMPLETE THE INSTALLATION OF EQUIPMENT LISTED ON THE DRAWINGS.

PLUMBING FIXTURES SHALL BE PROVIDED COMPLETE AS SHOWN ON THE DRAWINGS WITH ALL REQUIRED SUPPLY, WASTE, SOIL, AND VENT CONNECTIONS, TOGETHER WITH ALL FITTINGS, SUPPORTS, FASTENING DEVICES, COCKS, VALVES, AND TRAPS. ALL FIXTURES SHALL HAVE STOP VALVES ON ALL WATER CONNECTIONS. ALL EXPOSED METAL TRIM ON ALL FIXTURES SHALL BE POLISHED CHROMIUM PLATED. ALL EXPOSED PIPES EXTENDING FROM WALL SHALL HAVE CHROMIUM PLATED BRASS ESCUTOCHON MOUNTED AGAINST WALL. EXPOSED PVC PIPING AND P-TRAPS ARE UNACCEPTABLE.

THE PLUMBING FIXTURES SHALL BE ROUGHED-IN ACCORDANCE WITH MANUFACTURER'S "ROUGH-IN INFORMATION". PROVISIONS FOR MOUNTING WALL FIXTURES SHALL BE MADE WHILE THE WALL IS BEING BUILT.

**DRAINAGE SYSTEM**

EXTEND PIPING AS INDICATED ON THE DRAWINGS.

PIPE SLOPE:

2-1/2 INCH DIAMETER AND LESS SHALL BE INSTALLED WITH A FALL OF NOT LESS THAN 1/4 INCH PER FOOT.

3 INCH DIAMETER OR LARGER SHALL BE INSTALLED WITH A FALL NOT LESS THAN 1/8 INCH PER FOOT.

PIPE AND FITTINGS:

- SCHEDULE 40 PVC
- DRAIN, WASTE AND VENT PIPING LOCATED IN FIRE RATED WALL ASSEMBLIES AND RETURN AIR PLENUMS SHALL BE SERVICE-WEIGHT CAST IRON WITH SPIGOT FITTINGS.

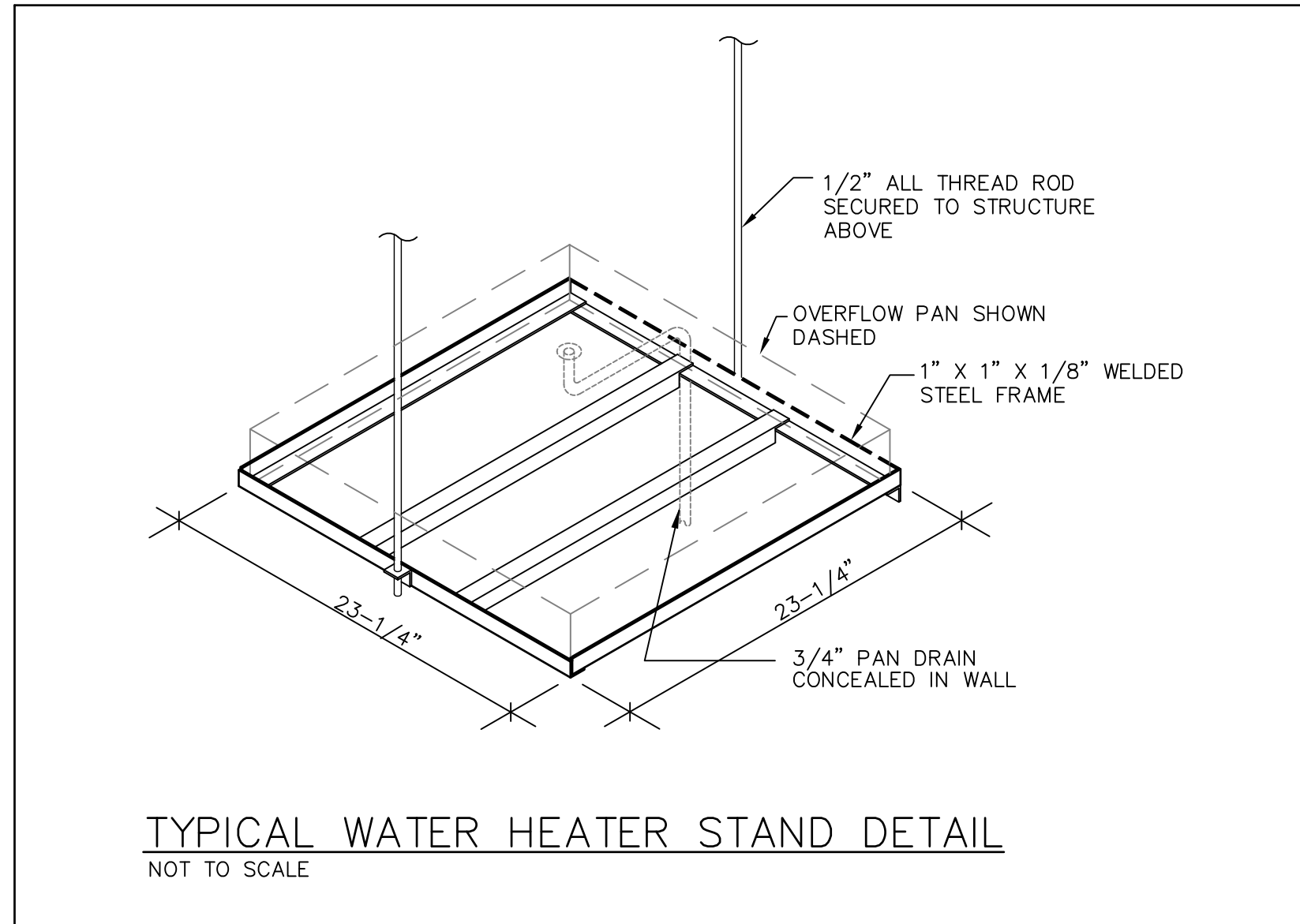
PROVIDE CLEANOUTS EVERY 75 FEET, AT CHANGES IN DIRECTION, AND AT BASE OF SOIL AND WASTE STACKS.

SHOCK ARRESTOR: SIOUX CHIEF

WALL CLEANOUT: ZURN, JONESPEC, JOSAM OR EQUAL.

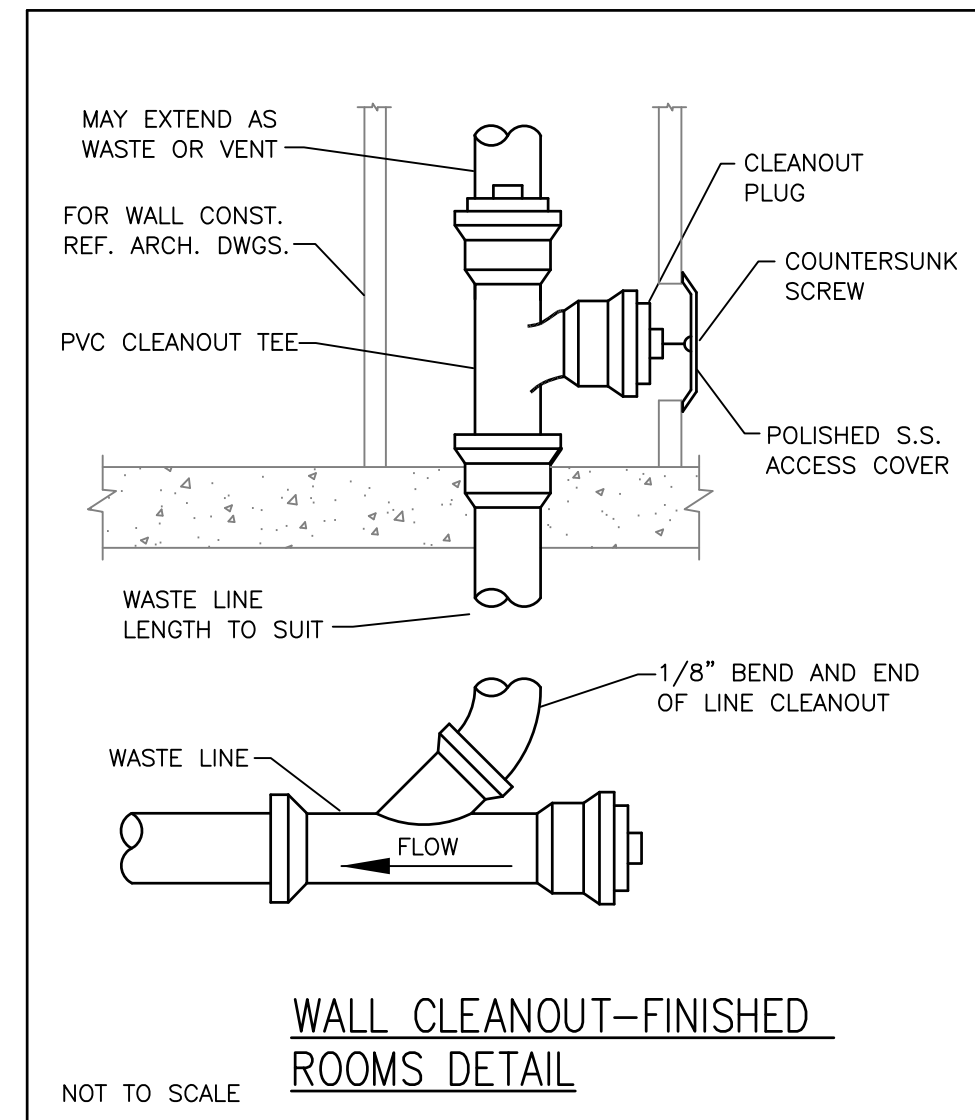
FLOOR CLEANOUT: ZURN, JONESPEC, JOSAM OR EQUAL.

VENTS SHALL BE EXTENDED TO EXTERIOR OF BUILDING NO STUODOR VENTS ALLOWED.



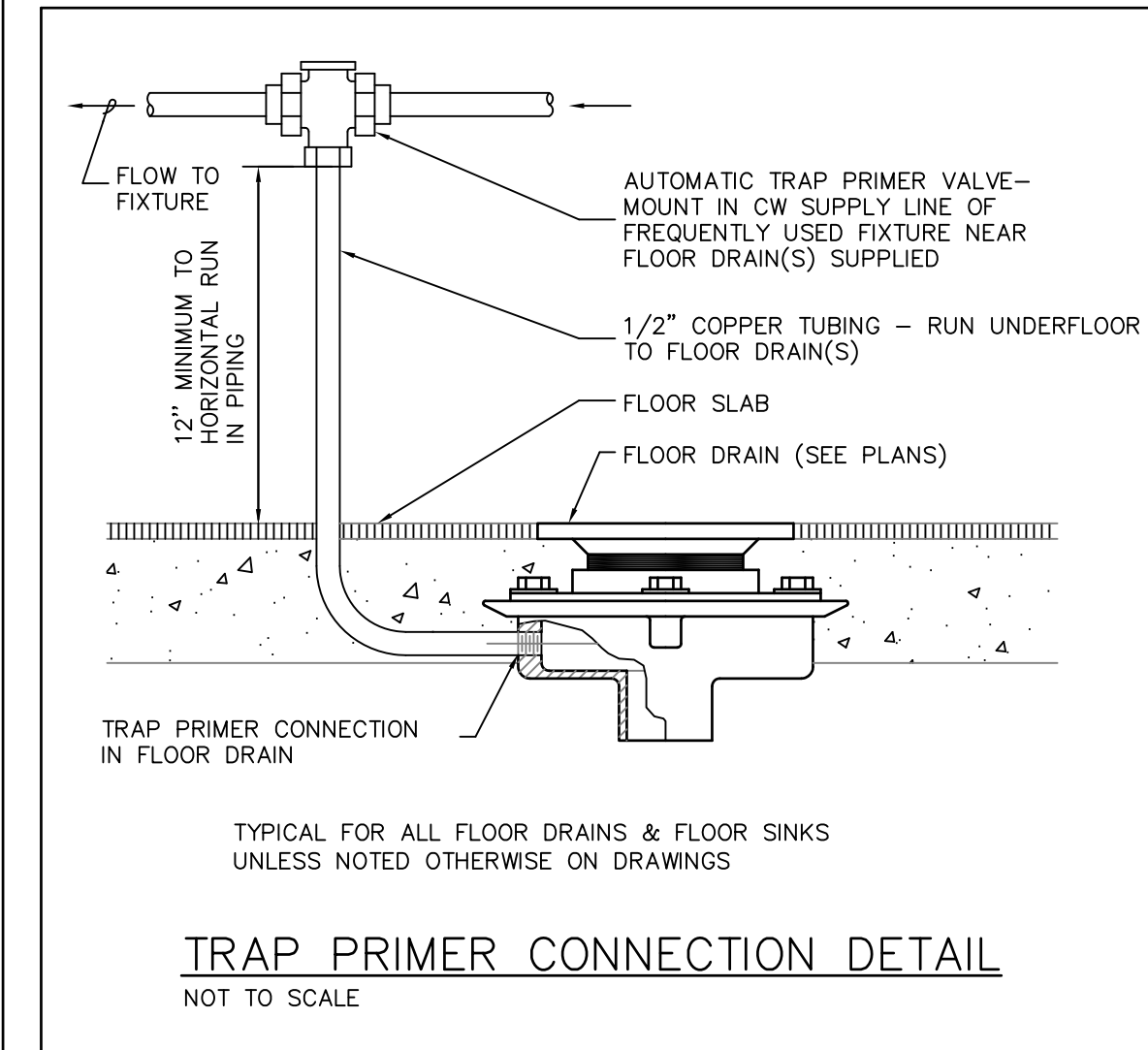
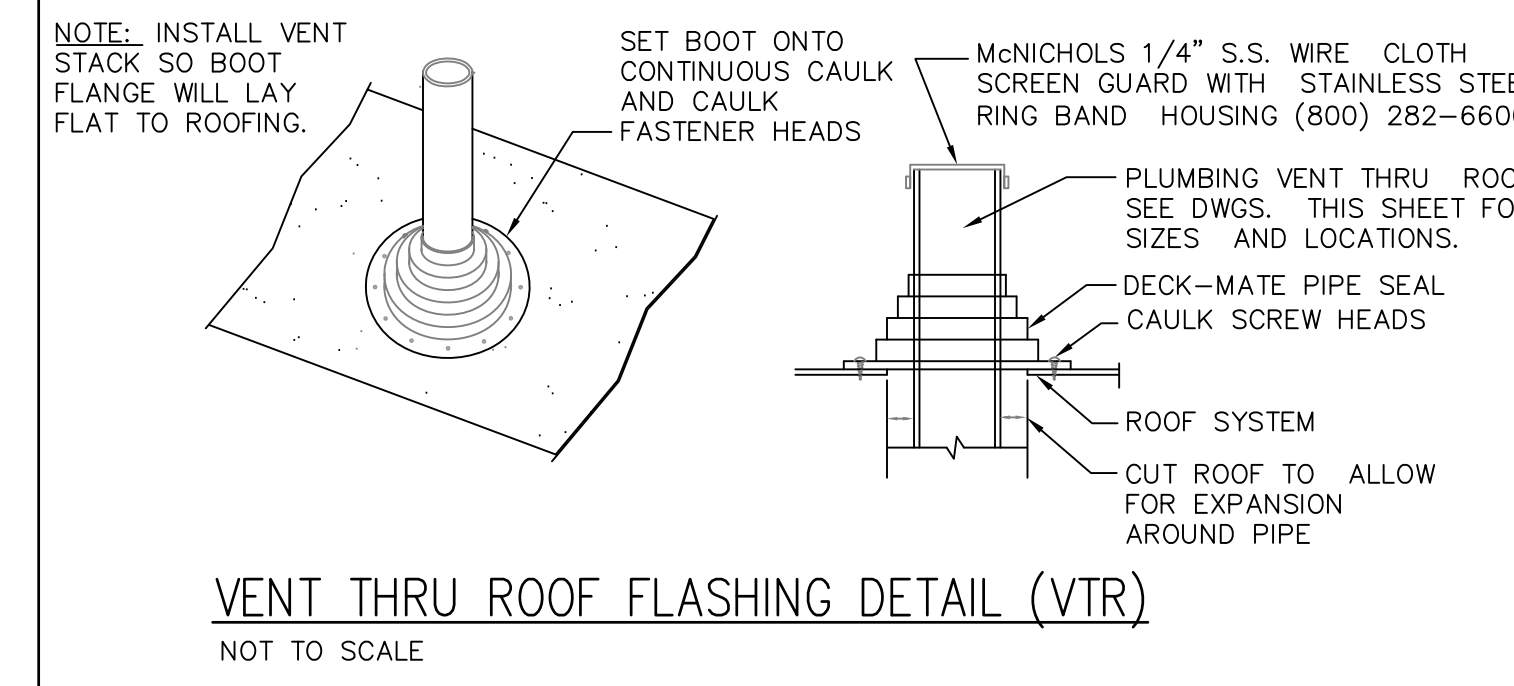
**PLUMBING FIXTURE SCHEDULE**

WC-1	WATER CLOSET: FLOOR MOUNTED, HANDICAPPED HEIGHT, TANK TYPE, ELONGATED, WHITE VITREOUS CHINA, WHITE OPEN FRONT SEAT, SUPPLY WITH STOP. AMERICAN STANDARD "CADET" MODEL#2998.012, CENTOCO SEAT MODEL#C500STSCWH
L-1	LAVATORY: 20"x18 WALL HUNG, BACKSPLASH, WHITE VITREOUS CHINA, WALL HANGERS, SINGLE LONG LEVER HANDLE FAUCET, FLAT GRID STRAINER. AMERICAN STANDARD "LUCERNE" MODEL 0355.012, RELIANT FAUCET MODEL#2385.404.
DF-1	DRINKING FOUNTAIN: ADA COMPLIANCE, NON REFRIGERATED, WALL HUNG, BARRIER FREE SPLIT LEVEL, FRONT & SIDE PUSH PADS, BUILT IN PRESSURE REGULATOR, CHROME PLATED BRASS STRAINER, STOPS, TAILPIECE AND "P" TRAP, SATIN FINISH STAINLESS STEEL, & ALL ACCESSORIES TO PROVIDE A WORKING UNIT. ELKAY MODEL-EZSTLDDC.
EWH-1	RHEEM LOWBOY COMMERCIAL ELECTRIC MODEL 82VP-30-1, 5.5 KW/240V/1 PHASE. RECOVERY: 28 GPH @ 80° TEMPERATURE RISE. 30 GALLON STORAGE TANK GLASS LINED, FOAM INSULATED WITH ENAMELED COATED STEEL JACKET. SET HOT WATER SUPPLY TEMPERATURE @ 120°F. WEIGHT 100LBS, 22"DIA. x 30"H.
SH-1,2,3,4	HANDICAPPED SHOWER: TILE SURROUND & FLOOR BY GEN. CONTRACTOR, PROVIDE SHOWER WITH: SINGLE HANDLE MIXING VALVE, HANDHELD SHOWER WITH WALL BRACKET AND HOSE, PRESSURE BALANCING VALVE, DIVERTER VALVE, L-SHAPED GRABBED BAR, BARRIER FREE SEAT, SHOWER CURTAIN, ACCESSIBILITY PROFESSIONALS MODEL#APES3698BF625. FINAL SHOWER SELECTION BY OWNER.
FD-1	FLOOR DRAIN W/TRAP PRIMER: 1. DRAIN: CAST IRON BODY WITH BOTTOM OUTLET COMBINATION INVERTIBLE MEMBRANE CLAMP AND ADJUSTABLE TYPE NICKEL CAST BRONZE STRAINER, TRAP PRIMER CONNECTION. JOSAM 30003-50 2. PRIMER: ALL BRONZE BODY WITH INTEGRAL OPERATION ASSEMBLY WITH GASKETED BRONZE COVER. JOSAM 88250
MS-1	JANITORS SINK: 24"x24" MOLDED STONE, FLOOR MOUNTED, 3" STAINLESS STEEL DRAIN, DUAL HANDLE WALL MOUNTED FAUCET WITH INTEGRAL STOPS, PAIL HOOK, WALL BRACE AND VACUUM BREAKER, MOP HANGER, HOSE AND HOSE HANGER. FIAT MODEL MSB-2424.



**PLUMBING SYMBOL LEGEND**

- COLD WATER PIPE
- SANITARY WASTE
- - - SANITARY VENT
- PIPE ELBOW UP
- PIPE ELBOW DOWN
- SHUT-OFF VALVE-1/4 TURN BALL VALVE
- WALL CLEAN OUT
- WCO
- ECO
- VTR
- FD
- POC
- A.F.F.



**J. HOWARD NUDELL ARCHITECT**

31690 W. Twelve Mile Road  
Farmington Hills, Michigan 48334  
t 248 324 8800 f 248 324 5550  
OFFICES IN

Dallas Texas  
972 387 5900

Costa Mesa, California  
714 979 8100

Chicago, Illinois  
321 558 1144

Tempe, Arizona  
480 446 3300

**RBE CONSULTING SERVICES LLC**

3000 N. CENTRAL EXPRESSWAY, SUITE 1000  
DALLAS, TEXAS 75205  
PH: 972.387.5900  
F: 972.387.5550  
WWW.RBECONSULTING.COM

State of Florida  
Registered Architect

Joel Howard Nudell  
Reg. No. 7953

project title

**David's World Cycle**

Suite - #2517  
Interior Modification  
David's World Cycle  
**OCCUPANCY:**  
"M" Mercantile  
David's World Cycle

2517 Edgewater Dr Orlando FL 32804

sheet title

**PLUMBING NOTES & DETAILS**

DO NOT SCALE DRAWINGS  
USE FIGURED DIMENSIONS ONLY

project number  
**2010-041**

drawn NS  
checked RMB  
approved RMB

issued for date  
OWNER ISSUE 03-11-10  
OWNER ISSUE 03-18-10  
PRICING ISSUE 03-23-10  
PERMIT ISSUE 03-29-10

sheet

**P100**