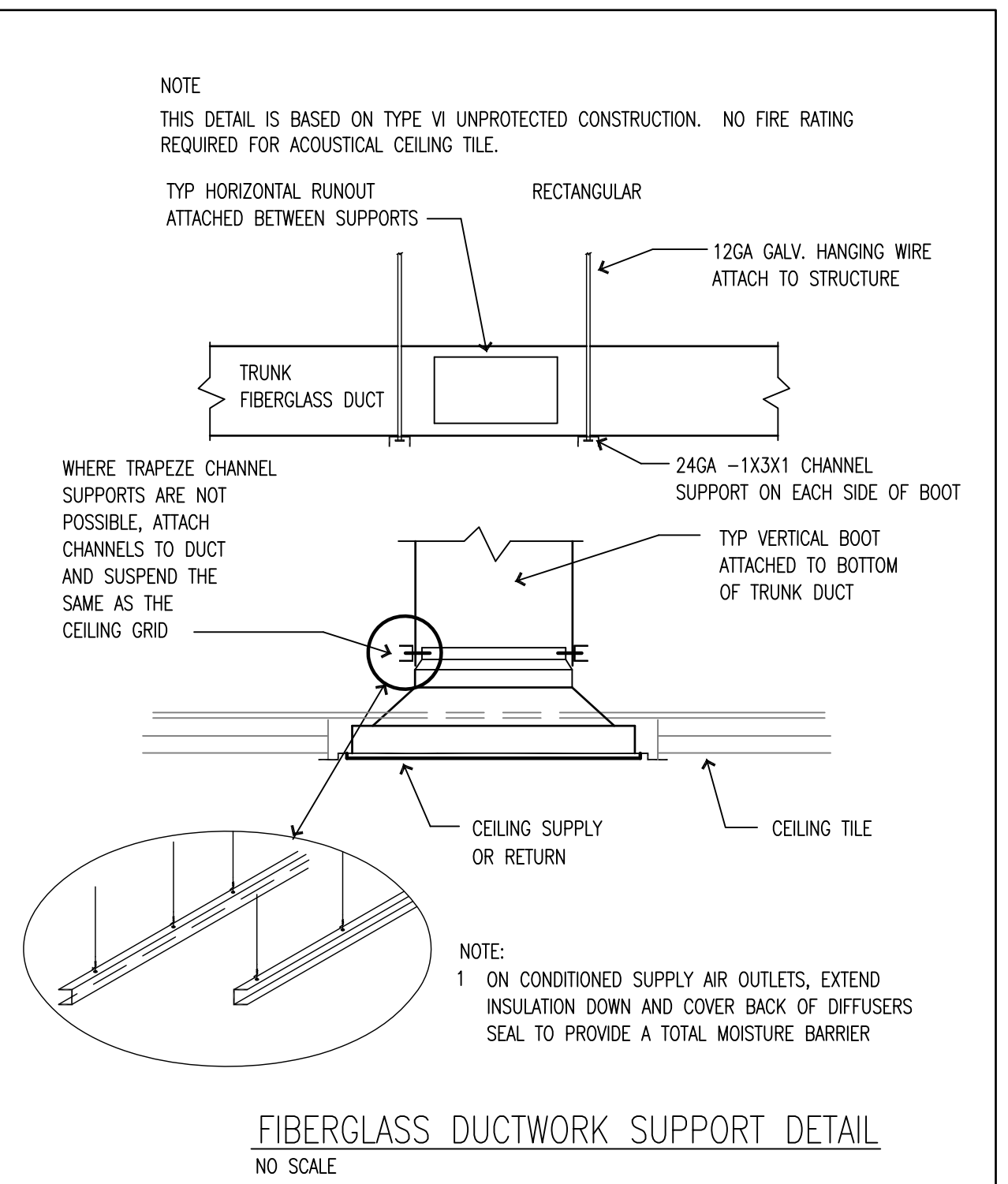
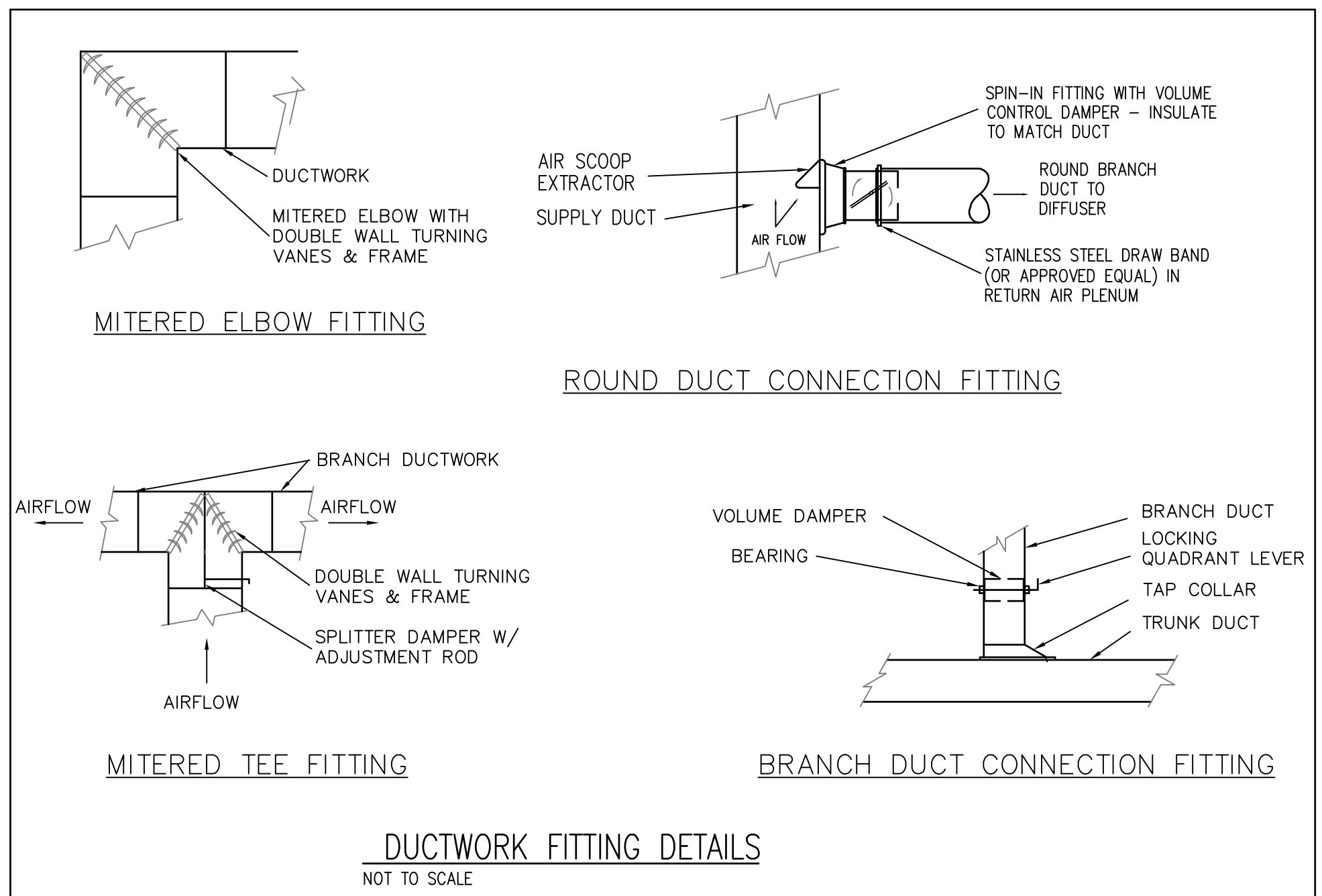
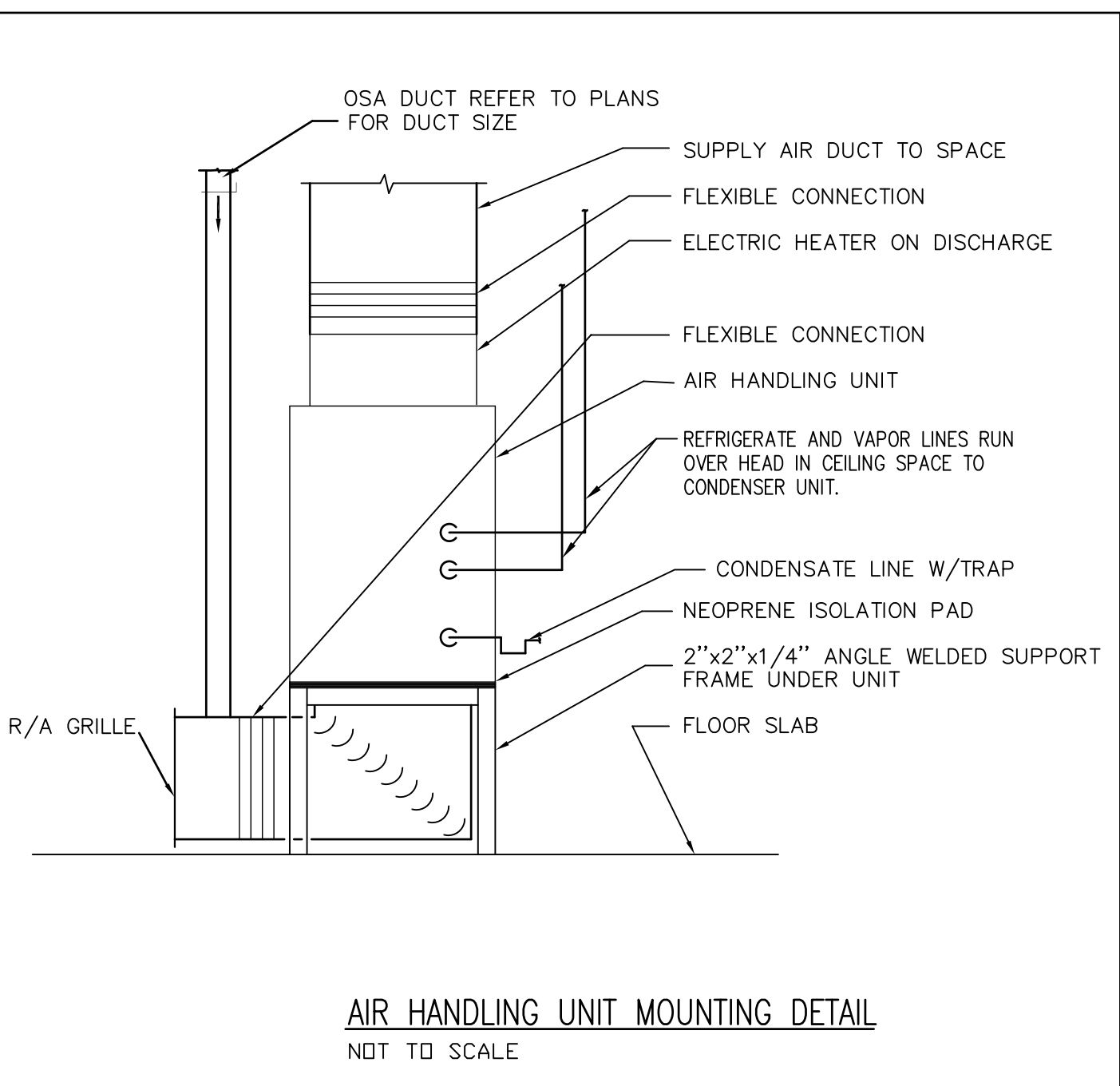
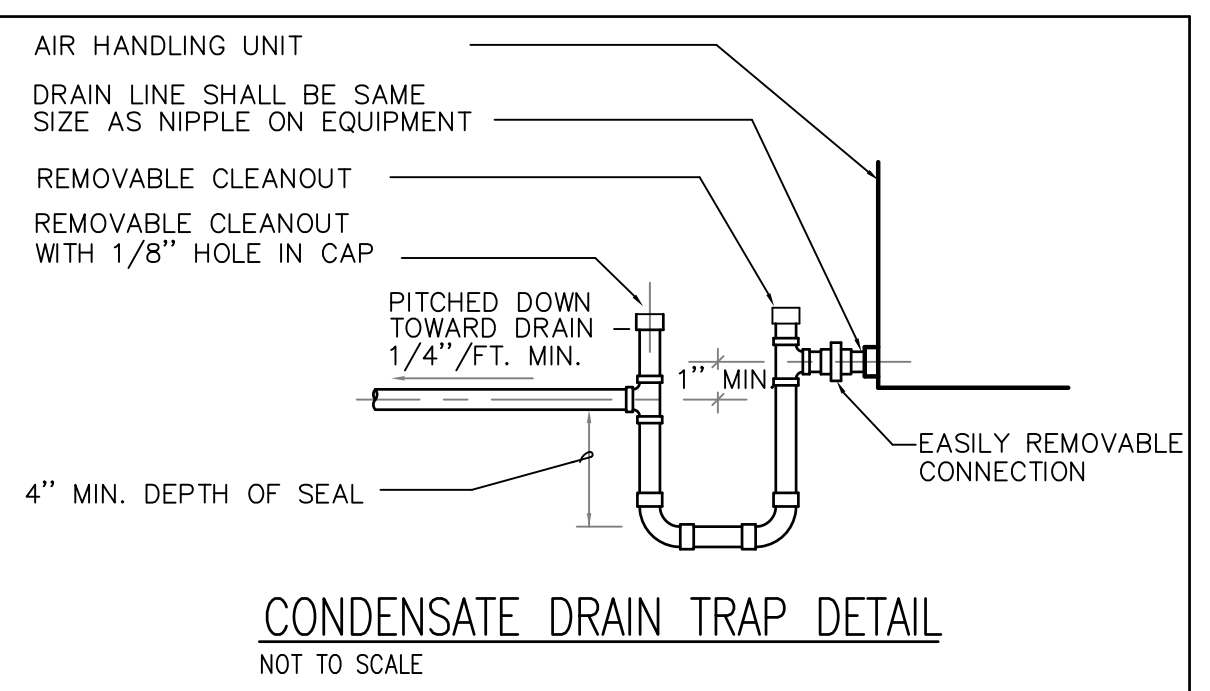
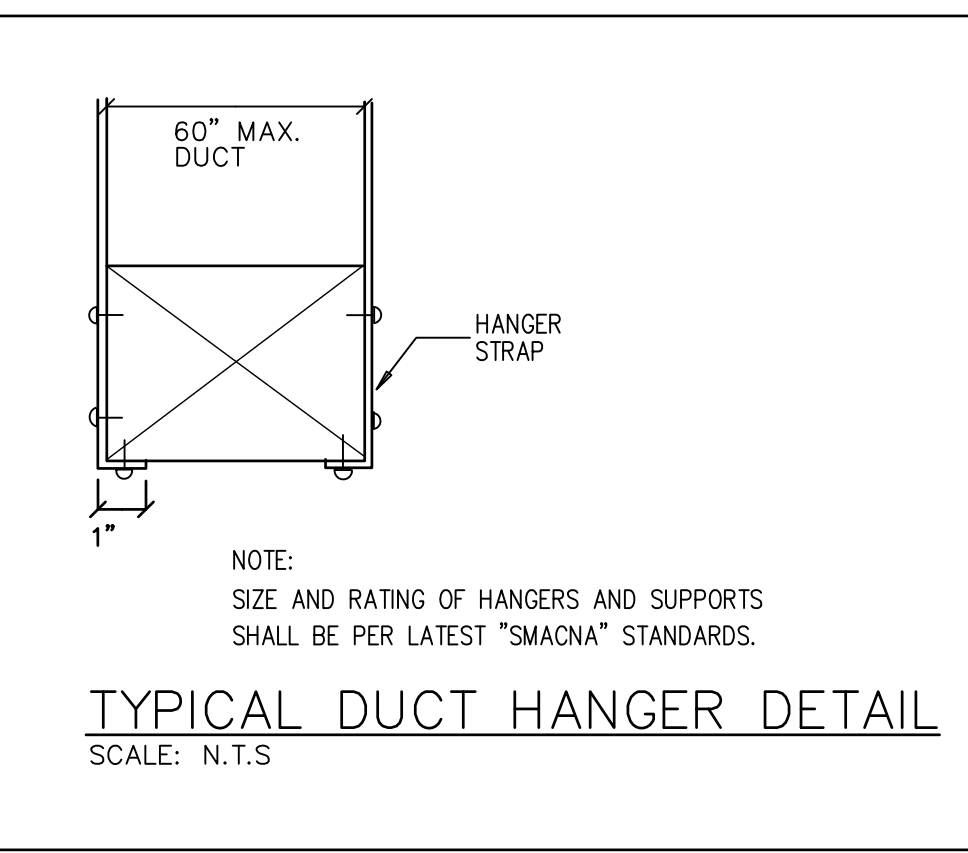
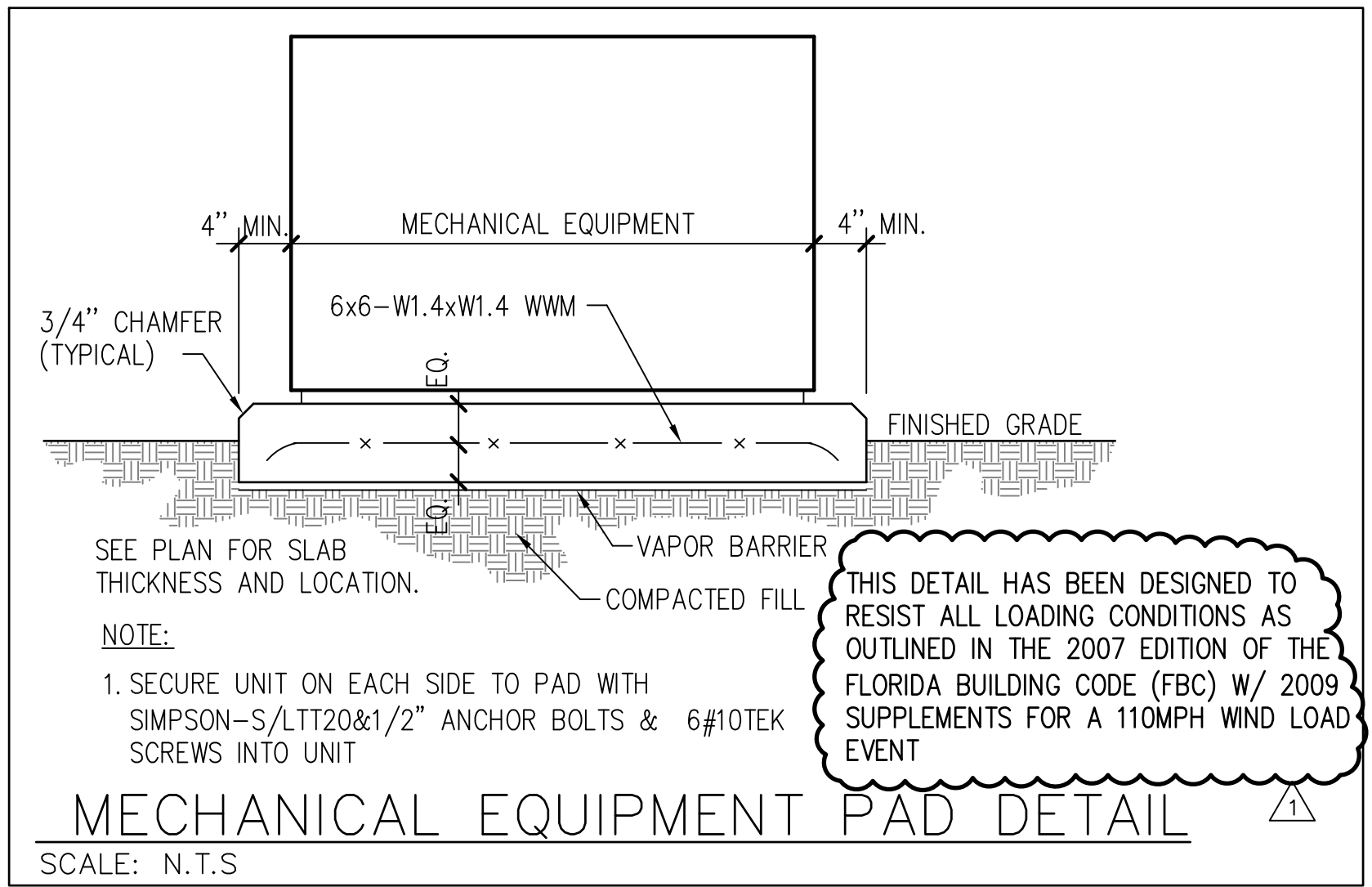
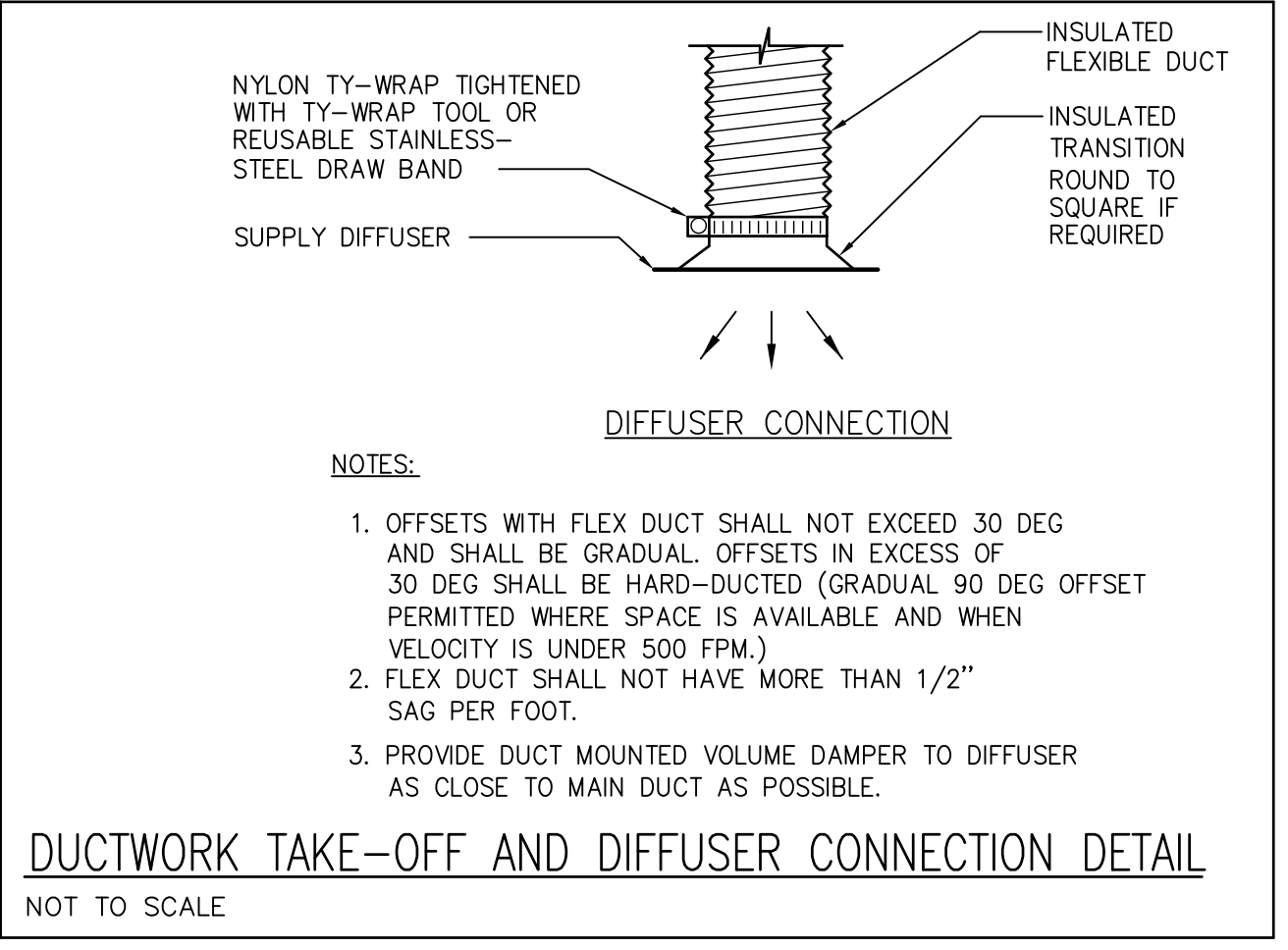
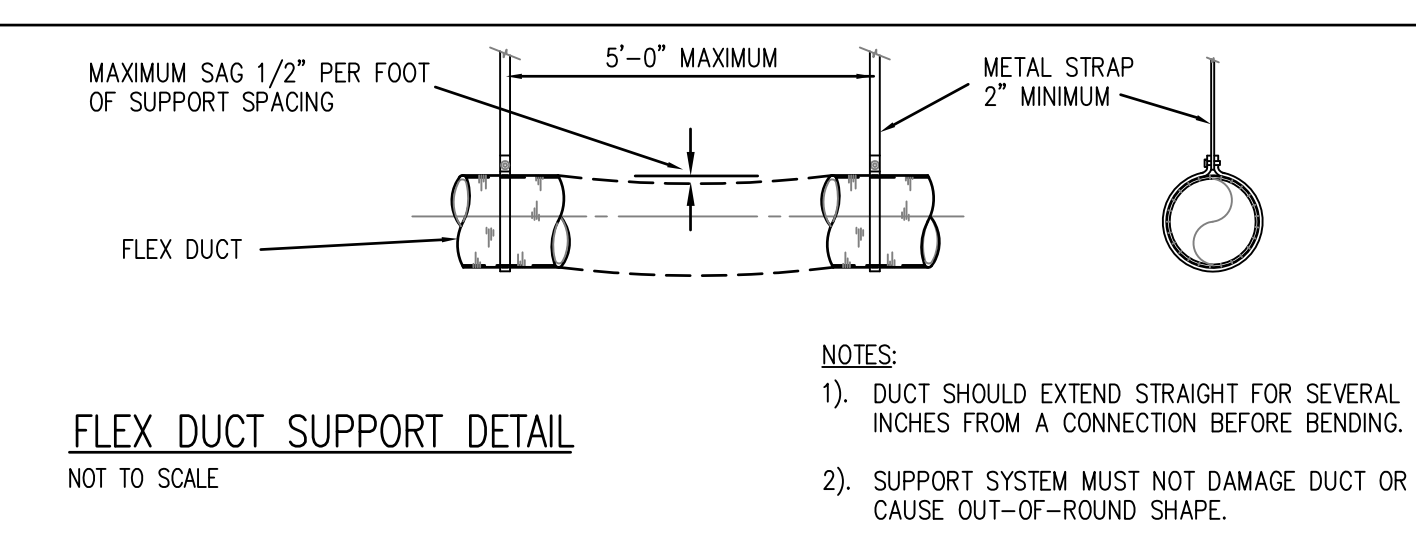
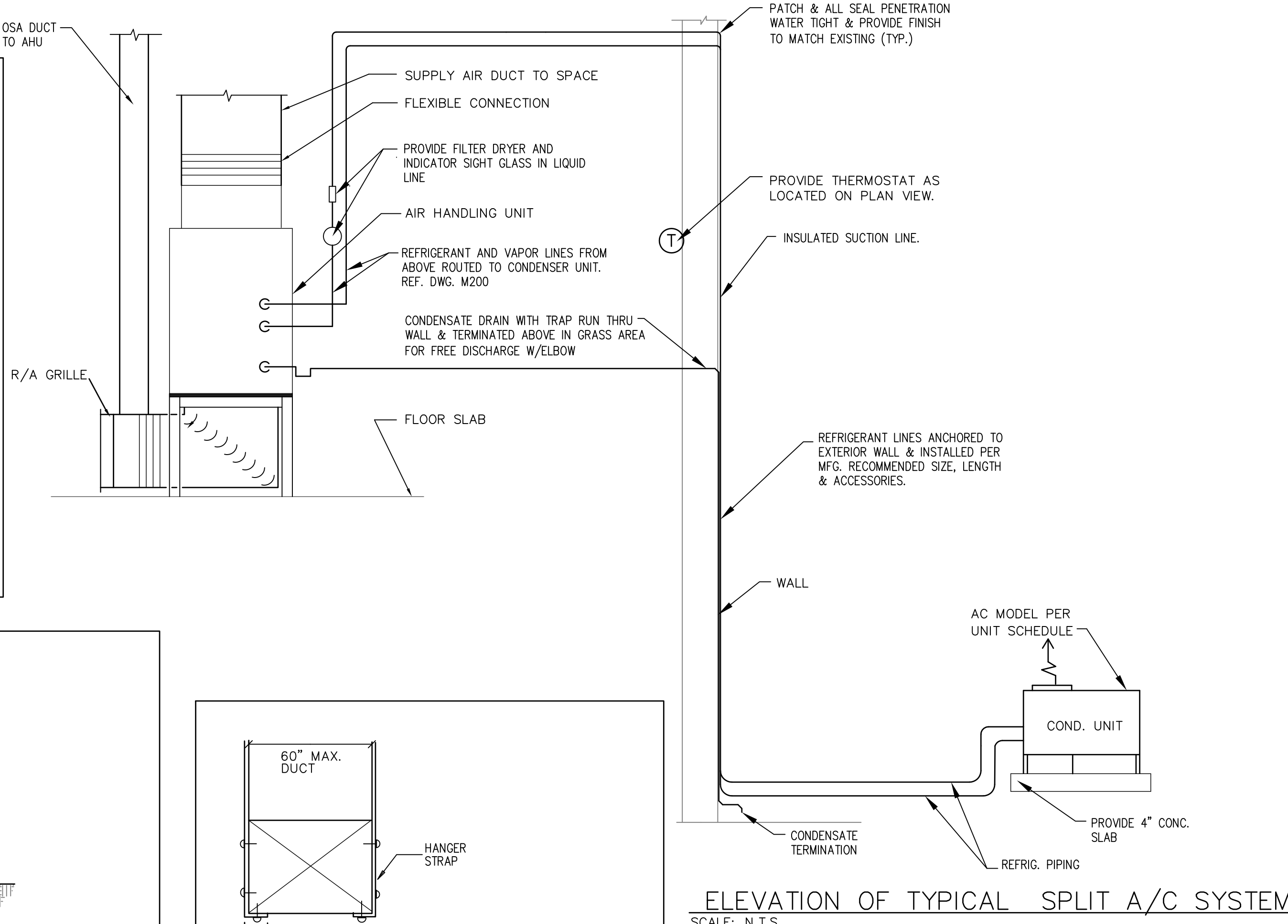
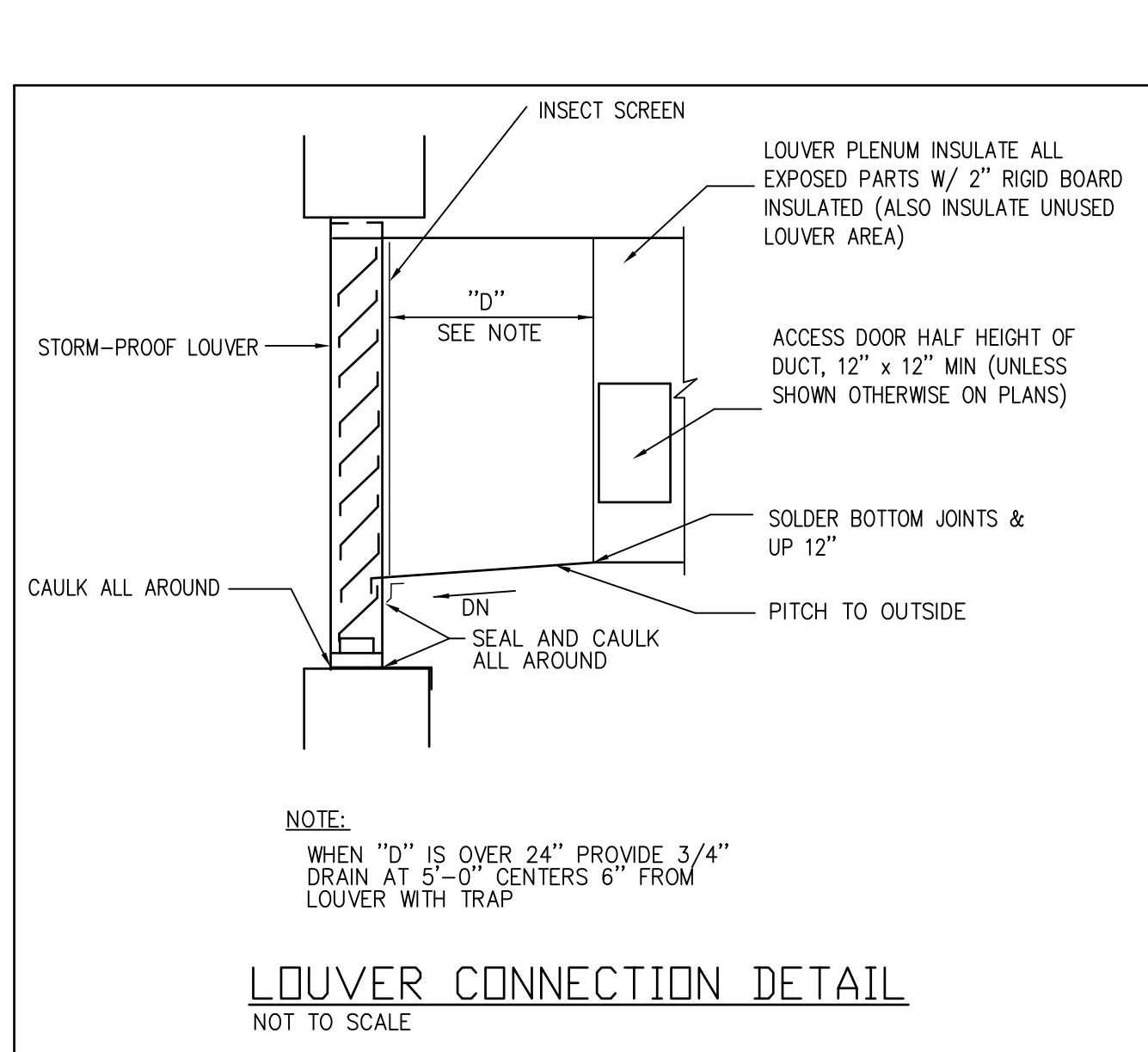


DATE PLOTTED: 10/20/2010 10:00 AM



J. HOWARD NUDELL ARCHITECT

31690 W. Twelve Mile Road
Farmington Hills, Michigan 48334
t 248 324 8800 f 248 324 5550
OFFICES IN

Dallas, Texas 972 387 5900
Costa Mesa, California 714 979 8100
Chicago, Illinois 321 558 1144
Tempe, Arizona 480 446 3300

RBE CONSULTING SERVICES LLC

2000 W. Lake Mead - Suite 100
Scottsdale, AZ 85261
PHOENIX, AZ 602-954-1111
MEMPHIS, TN 901-734-1111
HOUSTON, TX 281-416-1111
SAN ANTONIO, TX 210-491-1111
DALLAS, TX 972-387-5900
AUSTIN, TX 512-476-1111
SAN DIEGO, CA 619-444-1111
SAN JOSE, CA 408-298-1111
SAN FRANCISCO, CA 415-774-1111
LOS ANGELES, CA 310-551-1111
SEATTLE, WA 206-461-1111
PORTLAND, OR 503-253-1111
DENVER, CO 303-733-1111
MINNEAPOLIS, MN 612-338-1111
CHICAGO, IL 312-329-1111
INDIANAPOLIS, IN 317-444-1111
COLUMBUS, OH 614-291-1111
CINCINNATI, OH 513-763-1111
CLEVELAND, OH 216-461-1111
COLUMBIANA, OH 614-891-1111
CANTON, OH 330-851-1111
CINCINNATI, OH 513-763-1111
COLUMBIANA, OH 614-891-1111
CANTON, OH 330-851-1111

State of Florida
Registered Architect

Joel Howard Nudell
Reg. No. 7953

project title

David's World Cycle

Suite - #2517
Interior Modification
David's World Cycle
OCCUPANCY:
"M" Mercantile
David's World Cycle

2517 Edgewater Dr Orlando FL 32804

sheet title

HVAC DETAILS

DO NOT SCALE DRAWINGS
USE FIGURED DIMENSIONS ONLY

project number
2010-041

drawn NS
checked RMB
approved RMB

issued for date
OWNER ISSUE 03-11-10
OWNER ISSUE 03-18-10
PRICING ISSUE 03-29-10
PERMIT ISSUE 03-29-10
BULLETIN NO 01 04-20-10

sheet

M101