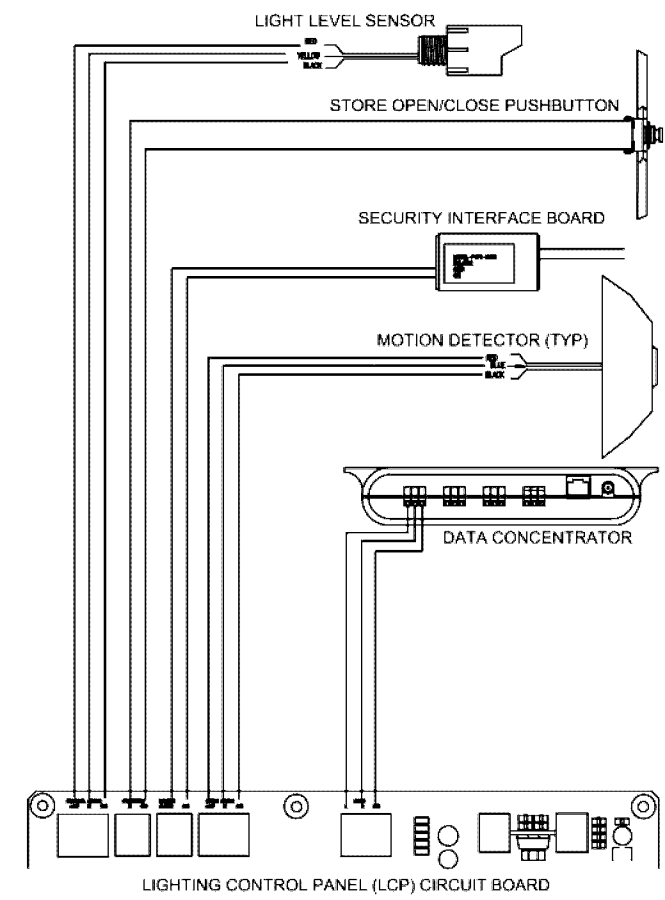
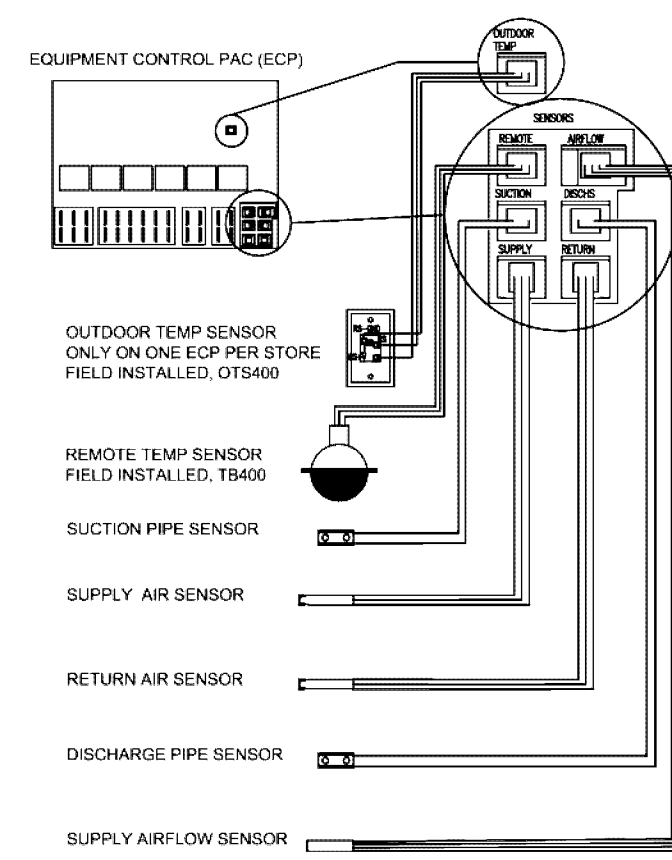


2 LIGHTING CONTROL PANEL
SCALE: N.T.S.

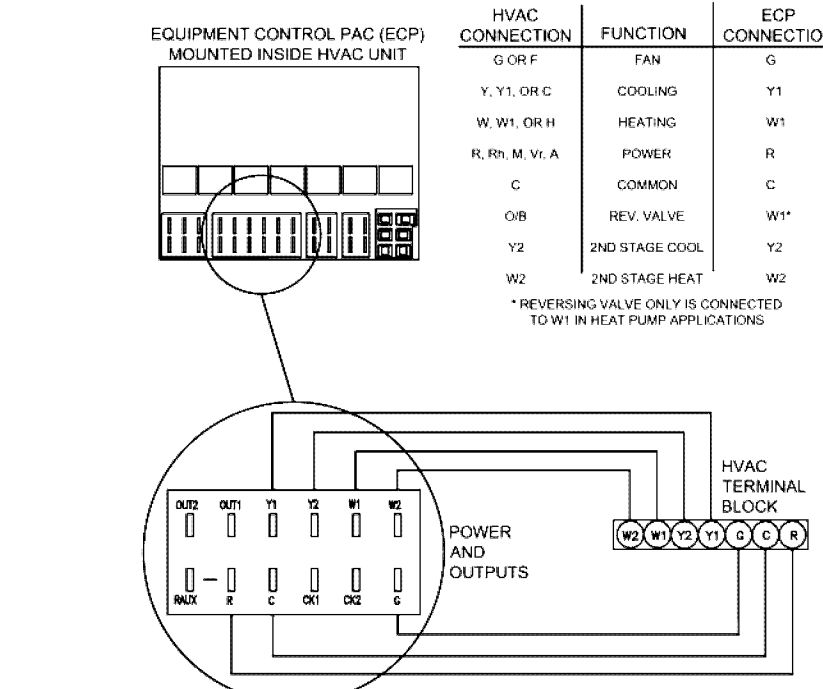


3 LIGHTING CONTROL SENSORS
SCALE: N.T.S.

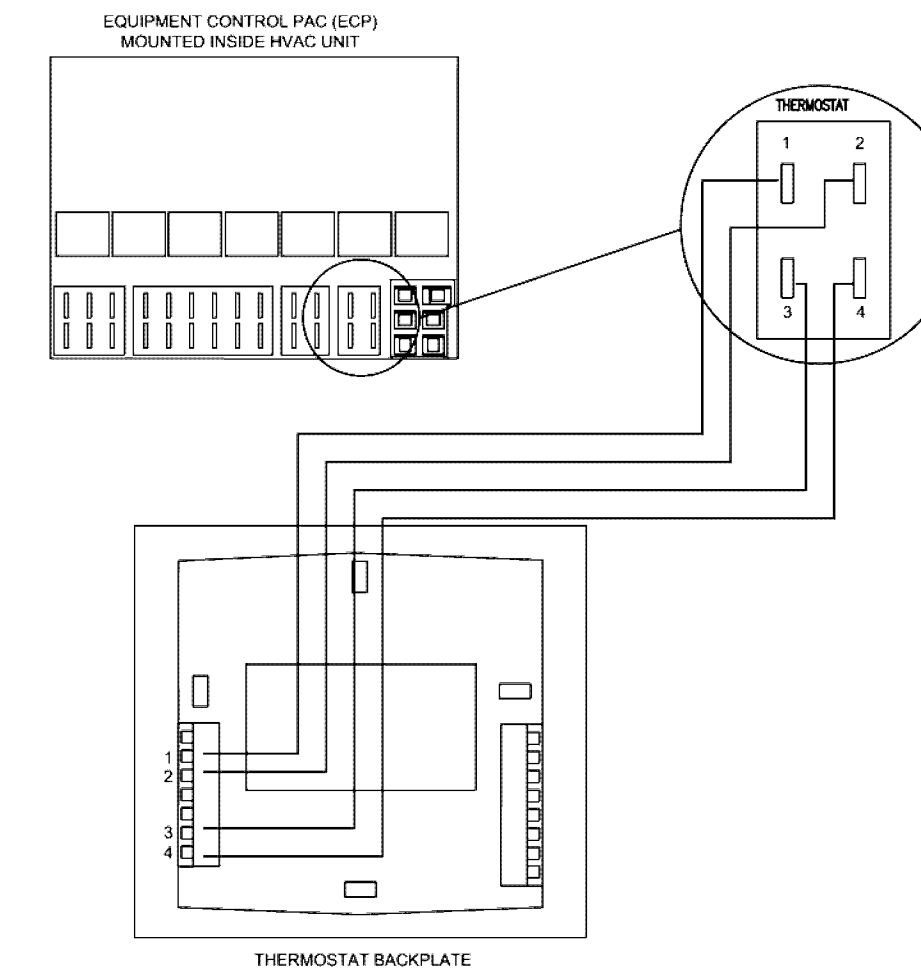
PROVIDE ONE EQUIPMENT CONTROL PAC (ECP) PER HVAC SYSTEM



4 EQUIPMENT CONTROL PAC (ECP) SENSORS
SCALE: N.T.S.

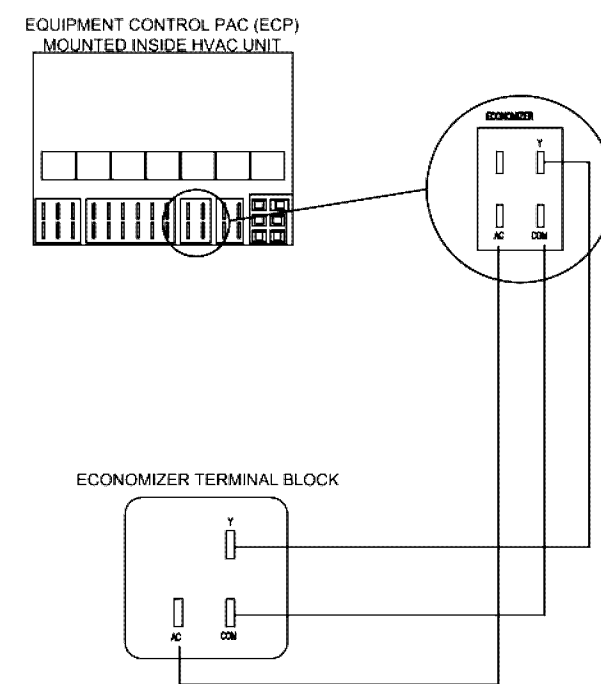


5 HVAC CONTROL WIRING
SCALE: N.T.S.



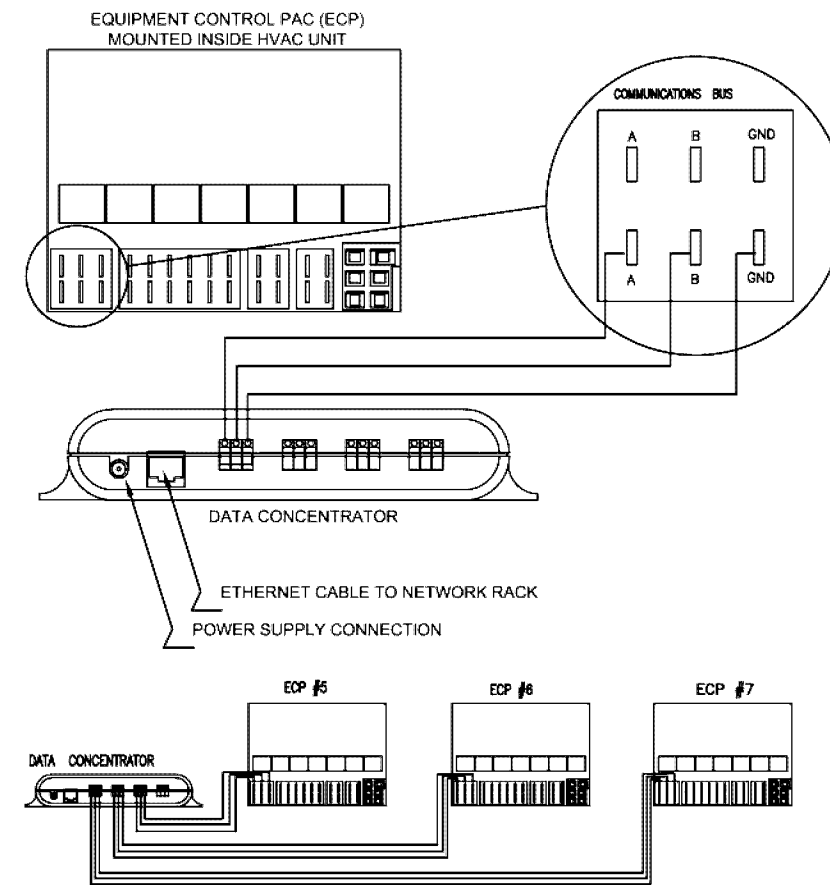
6 THERMOSTAT WIRING
SCALE: N.T.S.

WHEN EQUIPPED, CONNECT 0-12VDC MODULATING ECONOMIZER DAMPER MOTOR AS SHOWN. HVAC UNITS WITH SURVEYOR FACTORY INSTALLED WILL HAVE THIS WIRING PRE-CONNECTED, DEPENDING ON THE ECONOMIZER OPTIONS.



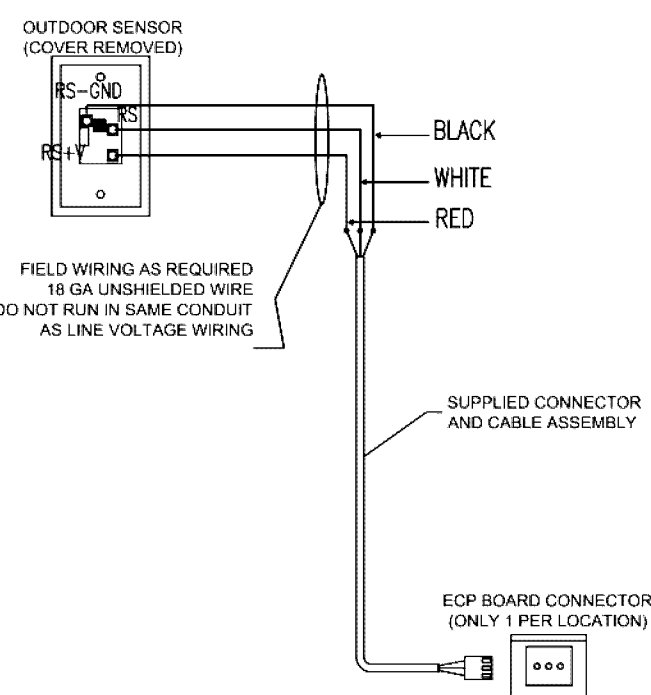
7 ECONOMIZER WIRING
SCALE: N.T.S.

WIRE EACH ECP WITH INDIVIDUAL HOME RUN COMMUNICATION WIRING TO THE DATA CONCENTRATOR, TO A SEPARATE CONNECTOR WHEN POSSIBLE. WHEN MORE THAN THREE ECP'S ARE USED (3 PORTS FOR ECP'S PLUS ONE FOR THE LIGHTING CONTROL PANEL) ADDITIONAL UNITS CAN BE WIRED TO A PORT ON THE DATA CONCENTRATOR THAT ALREADY HAS COMMUNICATION WIRES CONNECTED.



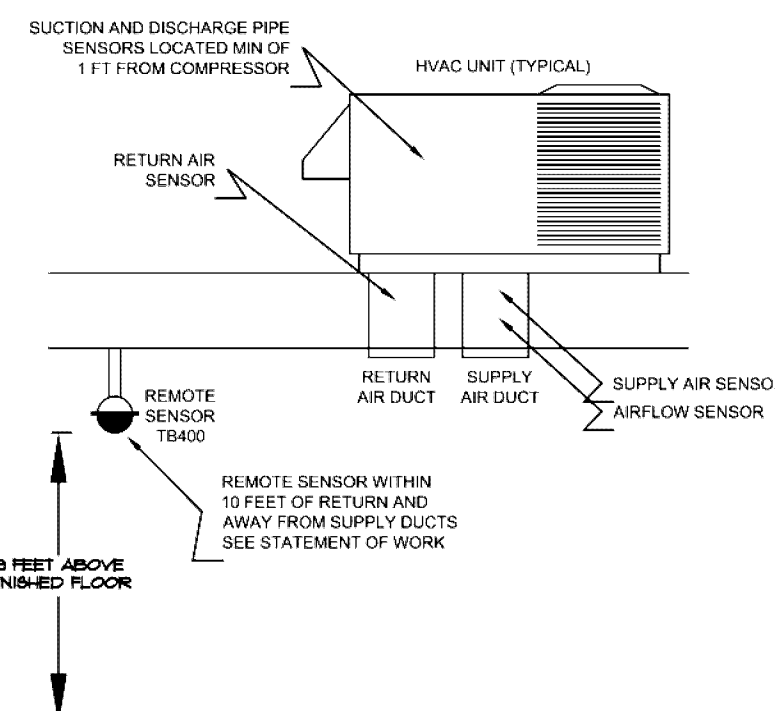
8 COMMUNICATION WIRING
SCALE: N.T.S.

MOUNT THE OUTDOOR SENSOR (DS4500) ON A NORTH FACING, VERTICAL SURFACE, NEAR THE TOP OF ONE HVAC UNIT PER STORE. ASSURE THE SENSOR IS NOT LOCATED WHERE IT WILL NOT BE AFFECTED BY HEATED CONDENSER AIRFLOW.



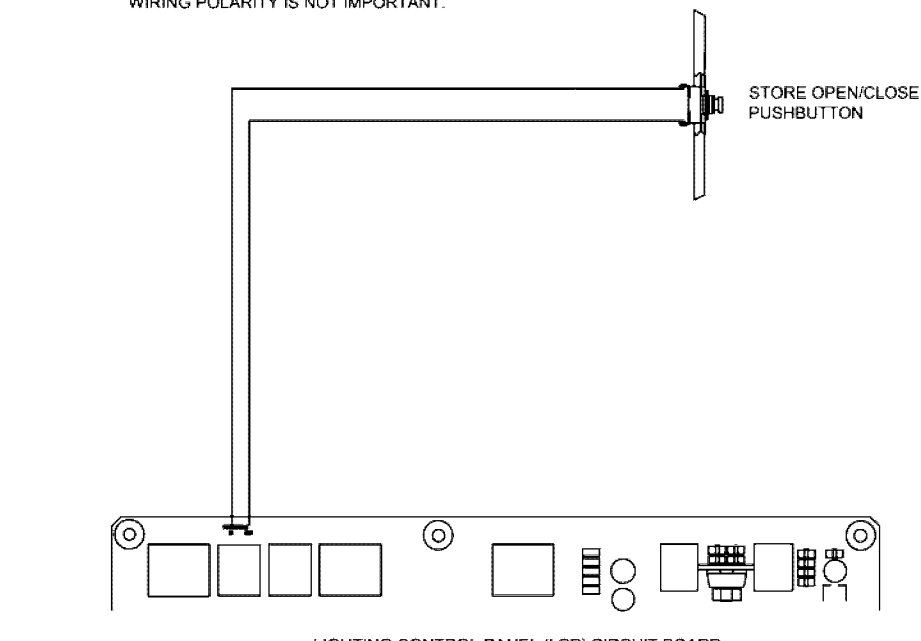
9 OUTDOOR SENSOR DETAILS
SCALE: N.T.S.

THE HVAC UNIT MAY COME WITH THE SURVEYOR ECP AND SENSORS FACTORY INSTALLED. FACTORY INSTALLED UNITS STILL REQUIRE FIELD CONNECTION OF THE REMOTE SENSORS, OUTDOOR SENSOR (ONE HVAC UNIT PER STORE), THERMOSTAT WIRING, AND COMMUNICATION WIRING. FOR NON-FACTORY INSTALLED ECP'S, THE ECP MUST BE MOUNTED INSIDE THE HVAC UNIT. ALL ECP'S REQUIRE FIELD SETTING OF THE EQUIPMENT NUMBER SWITCHES (SEE INSTALLATION MANUAL).



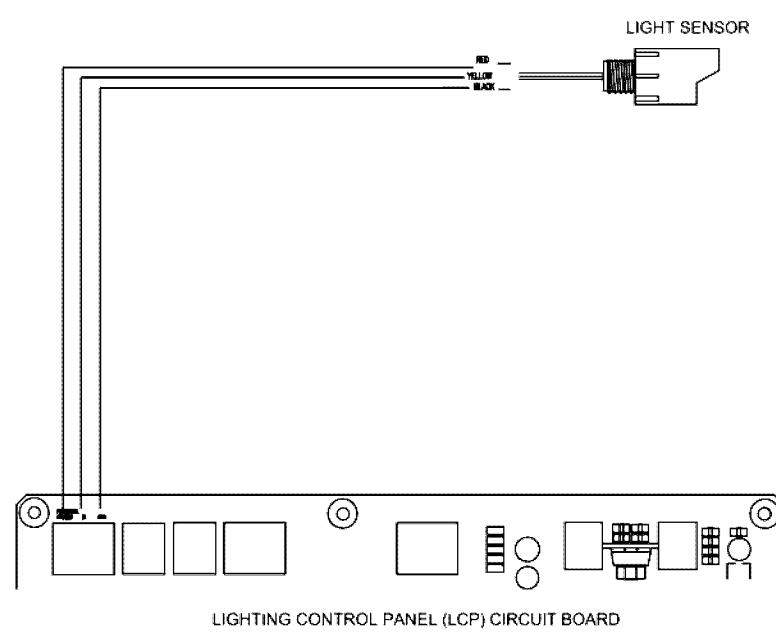
10 ECP SENSOR POSITIONS
SCALE: N.T.S.

PUSH BUTTON MOUNTED IN 2X4 JUNCTION BOX LOCATED 48" AFF OR ADA ACCESSIBLE. TYPICALLY IN MANAGERS OFFICE. SEE STATEMENT OF WORK FOR SPECIFIC POSITION. WIRING POLARITY IS NOT IMPORTANT.



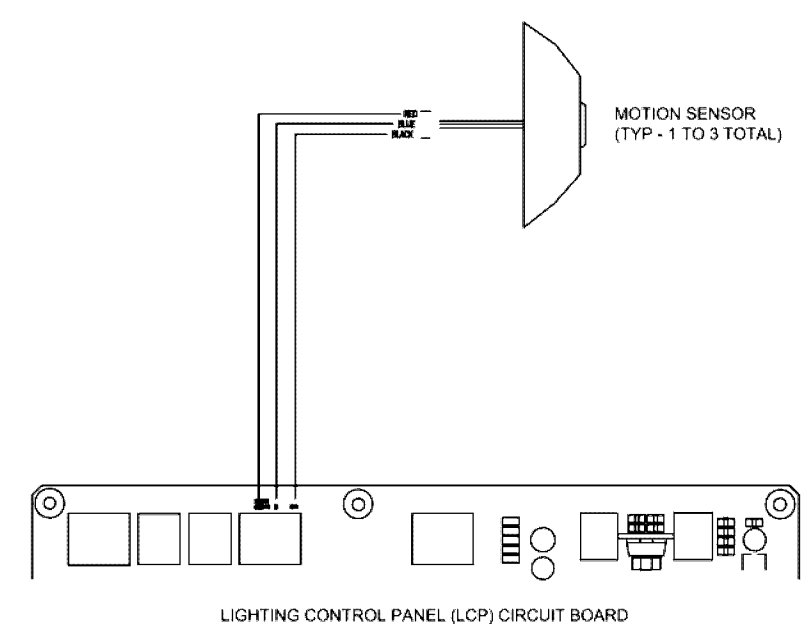
11 STORE OPEN/CLOSE PUSHBUTTON
SCALE: N.T.S.

MOUNT THE LIGHT SENSOR NEAR THE TOP OF ONE OF THE VERTICAL, NORTH FACING SIDES OF ONE OF THE HVAC UNITS. THE LIGHT SENSOR MUST MOUNT HORIZONTAL, FACING NORTH. ASSURE THE SENSOR WILL NOT BE AFFECTED BY LIGHTING OR BRIGHT REFLECTIONS.



12 OUTDOOR LIGHT SENSOR
SCALE: N.T.S.

MOUNT MOTION SENSOR 11" AFF. AVOID PLACEMENT NEAR MOVING ITEMS SUCH AS HANGING BANNERS. POSITION SENSORS TO PROVIDE BEST COVERAGE OF EMPLOYEES ENTERING THE STORE AND WORKING LANE. DETAILS OF THE NUMBER OF MOTION DETECTORS AND POSITION GUIDE LINES CAN BE FOUND IN THE STATEMENT OF WORK. WHEN WIRING MULTIPLE MOTION DETECTORS, RUN SEPARATE WIRES FROM EACH DETECTOR AND COMBINE THEM AT THE LCP TERMINAL BLOCK.



13 MOTION SENSORS
SCALE: N.T.S.

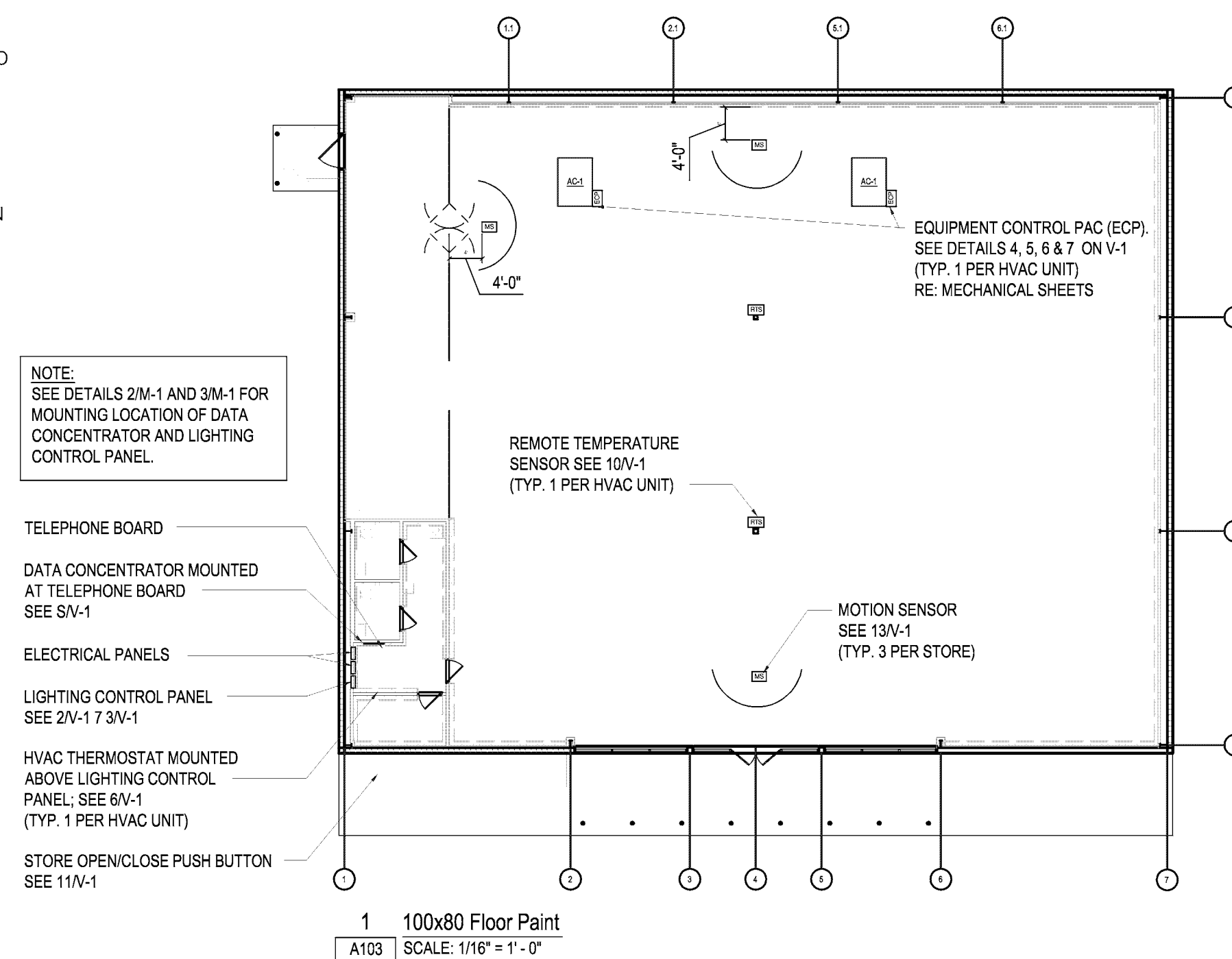
NOTES:

- DRAWINGS ARE FOR GENERAL INFORMATION ONLY.
- LOCAL BUILDING CODES, BUILDING PLANS AND STORE OWNER STATEMENT OF WORK TAKE PRECEDENCE OVER THIS DOCUMENT.
- REFER TO THE SURVEYOR MANUAL AND INSTALLATION INSTRUCTIONS FOR EACH COMPONENT FOR ADDITIONAL CRITICAL INFORMATION.
- SOME HVAC UNITS ARE AVAILABLE WITH THE SURVEYOR ECP AND SENSORS PRE-INSTALLED. THE REMOTE TEMPERATURE SENSOR AND ONE OUTDOOR TEMPERATURE SENSOR PER STORE WILL NEED TO BE CONNECTED IN THE FIELD TO THE ECP.
- ALL ECP'S REQUIRE SETTING OF THE EQUIPMENT NUMBER DIP SWITCHES AND HEAT PUMP JUMPERS AS APPROPRIATE. REFER TO THE EQUIPMENT CONTROL PAC INSTALLATION INSTRUCTIONS FOR FURTHER INFORMATION.
- ALL WIRING 18 GA. UNSHEILDED, UNLESS OTHERWISE NOTED.
- WIRING MAY BE RUN IN CONDUIT OR WIRE TIED IN BUNDLES, AS SPECIFIED BY THE CUSTOMER IN THE STATEMENT OF WORK. DO NOT RUN COMMUNICATION AND SENSOR WIRES IN THE SAME CONDUIT OR BUNDLE WITH CONTROL AND LINE VOLTAGE WIRING.
- CAUTION! INSTALLATION REQUIRES REMOVAL OF SAFETY COVERS AND EXPOSE THE INSTALLER TO ELECTRICAL HAZARDS. USE OF A LICENSED ELECTRICAL IS REQUIRED. FOLLOW ALL APPROPRIATE SAFETY PRECAUTIONS. ADDITIONAL SAFETY INFORMATION IS IN THE SURVEYOR INSTALLATION MANUALS.

VENSTAR ORDERING NOTES:

- E.C. RESPONSIBLE TO CONTACT VENSTAR @ 818-341-8760 EXT. 205 ERIK DE LA CASAS OR EMAIL ORDERS@VENSTAR.COM OR ERIK@VENSTAR.COM FOR QUOTATION, EQUIPMENT CUT SHEETS AND SUBMITTAL DRAWING.
- ELECTRICAL CONTRACTOR SHALL CONTACT VENSTAR AT LEAST 4 WEEKS BEFORE PRODUCT IS REQUIRED ON SITE. E.C. SHALL PROVIDE PANEL SCHEDULE TO VENSTAR FOR QUOTATION, CONFIGURATION AND AMPERAGE.
- E.C. RESPONSIBLE TO RE-TORQUE ALL FACTORY WIRING TERMINATIONS UPON DELIVERY OF VENSTAR SURVEYOR EQUIPMENT.
- E.C. SHALL CONTACT VENSTAR WITH EXACT BREAKER QUANTITIES AND SIZES FOR ALL HVAC UNITS/UNIT HEATERS.
- ALL WIRING TO THE THERMOSTATS BY HVAC CONTRACTOR.
- THE VENSTAR SURVEYOR EQUIPMENT IS FACTORY PREWIRED. THE CONTRACTOR IS RESPONSIBLE TO MAKE ANY MINOR ADJUSTMENTS DUE TO CHANGES MADE IN THE FIELD.
- THE INTERIOR MOTION SENSORS, LIGHT LEVEL SENSOR, STORE OPEN/CLOSE PUSHBUTTON, OUTDOOR TEMPERATURE SENSOR, REMOTE TEMPERATURE SENSOR(S), THERMOSTAT(S), EQUIPMENT CONTROL PAC(S) AND DATA CONCENTRATOR WILL BE INSTALLED BY THE ELECTRICAL CONTRACTOR. ALL DEVICES WILL WIRE BACK TO THE VENSTAR SURVEYOR EQUIPMENT. ELECTRICAL CONTRACTOR SHALL FIELD COORDINATE FINAL LOCATION OF VENSTAR SENSORS AND EQUIPMENT WITH FAMILY DOLLAR PRIOR TO INSTALLATION.
- PROVIDE NUMBER OF T-STATS AS REQUIRED PER STORE HVAC SYSTEM TO VENSTAR.

NOTE: EXACT LOCATION OF MOTION SENSORS IS TO BE CONFIRMED WITH FAMILY DOLLAR REPRESENTATIVE PRIOR TO INSTALLATION. MOUNTING HEIGHTS FOR MOTION SENSORS IS TO BE 11'-6" AFF



1 100x80 Floor Plan
SCALE: 1/16" = 1'-0"

ARCHITECTURE
ENGINEERING
LAND SURVEYING

LIS

21430 Palm Beach Blvd.
Aventura, FL 33190
Phone: (305) 693-9244
facsimile: (305) 693-8828

2672 West State Road 426
Suite 2084, Oviedo, FL 32765
Phone: (321) 244-0402
facsimile: (321) 244-9419

CLIENT NAME
STEPHENS BARRIOS
1231 NORTH ORANGE AVE, SUITE B
ORLANDO, FLORIDA, 32804

PROJECT NAME
FAMILY DOLLAR STORE
PLAN # 2010-01
MARION OAKS BLVD, OCALA, FLORIDA 34473
BELLEVUE, MARION COUNTY, FLORIDA

SHEET TITLE
Venstar System Plans and Details

SEAL

ROBERT WAYNE CASE
FLORIDA PE #4643

RELEASE	DATE
1	
2	
3	
4	
5	
6	

PROJECT NO.
2010-023FD

ISSUE DATE
6/02/10

DRAWN CHECKED
DH CS

V1

LIS EXPRESSLY RESERVES ITS COPYRIGHT AND ALL OTHER PROPERTY RIGHTS TO THESE DOCUMENTS AND THEIR DESIGN. HENCE, THEY ARE NOT TO BE REPRODUCED.