

C.L. Helt, Architect Inc.

1136 Greenwood Cliff  
Charlotte, NC 28204

Ph. 704-342-1686  
Fx. 704-343-0054  
E-MAIL CHETHELT @ CLHELT.COM

ARCHITECT'S PROJECT # 09127

Project #  
**FAMILY DOLLAR**  
FOR  
**BOOS DEVELOPMENT GROUP, INC**  
STATE ROUTE 89  
MILTON, FLORIDA  
DESIGN BASED ON 2009-04 FD PROTOTYPE

Sheet Description #

**ELEVATIONS**

THIS DRAWING AND ITS COPIES ARE THE COPYRIGHT OF THE ARCHITECT. THEY MAY NOT BE USED FOR PROJECTS OTHER THAN THE DESIGNATED PROJECT WITHOUT THE SPECIFIC WRITTEN APPROVAL OF C. L. HELT ARCHITECT INC., AND OR CHESTER LEROY HELT, ARCHITECT

Drawn By :

D. MYERS

Checked By :

D. MYERS

Revisions :

25.10	1	Added EIFS
	2	
	3	
	4	

Seal

Date :

12/22/09

Sheet No.

**A-2**

of 6

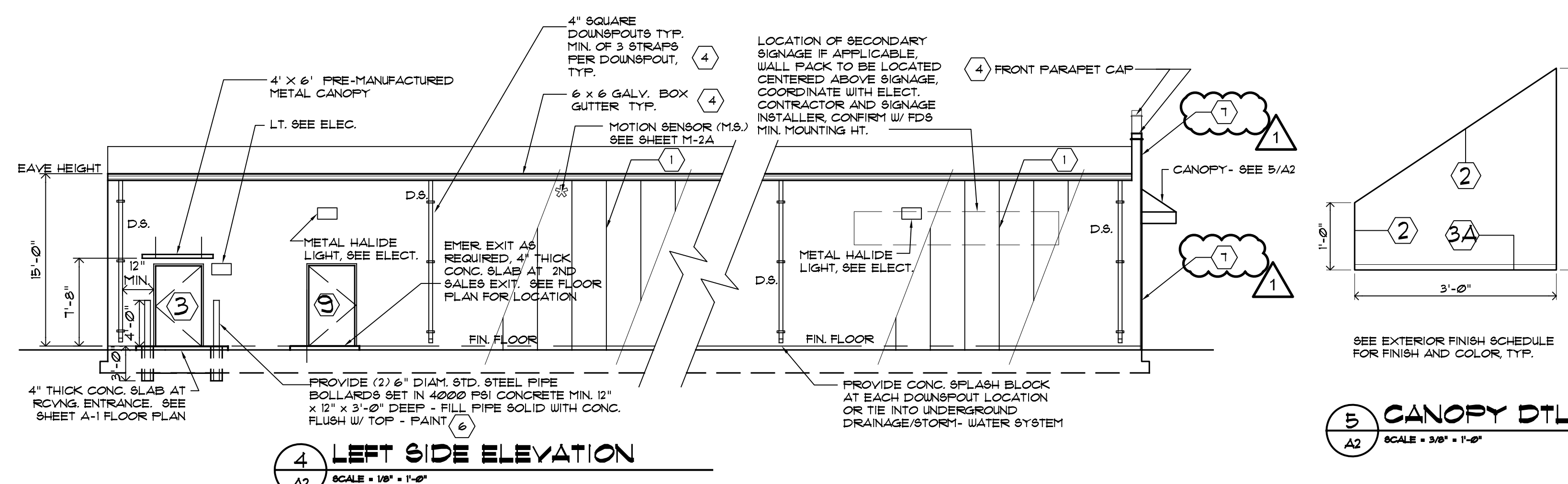
### EXTERIOR FINISH SCHEDULE

MATERIALS ARE TO BE APPROVED BY FAMILY DOLLAR STORE COLORS ARE CRITICAL AND MUST BE APPROVED BY FAMILY DOLLAR STORE REPRESENTATIVE IF THEY DIFFER FROM THE SHERWIN WILLIAMS COLORS SHOWN BELOW.

NO.	AREA	TYPE	COATS	COLOR
1	METAL WALL PANELS	MTL. 'A' PANEL	PRE-FINISHED	MTL. BLDG. MFG. COLOR "MOCHA TAN" SHERWIN WILLIAMS MATCHING COLOR SW 6122 "CAMELBACK"
2	METAL CANOPY ROOF AND BAND	MTL. 'R' PANEL	PRE-FINISHED	MTL. BLDG. MFG. COLOR "PATRIOT RED" SHERWIN WILLIAMS MATCHING COLOR SW 4081 "SAFETY RED"
3	METAL WALL PANELS	MTL. 'A' PANEL	PRE-FINISHED	MTL. BLDG. MFG. COLOR "POLAR WHITE"
3A	SOFFIT PANELS	MTL. 'R' PANEL	PRE-FINISHED	SHERWIN WILLIAMS MATCHING COLOR SW 6148 "WOOL SKEIN"
4	DOORS, GUTTERS, MTL. TRIM & PARAPET CAP	MTL. BLDG. COLOR	PRE-FINISHED	MTL. BLDG. MFG. COLOR "MOCHA TAN" SHERWIN WILLIAMS MATCHING COLOR SW 6122 "CAMELBACK"
5	NOT USED	-	-	-
6	STEEL BOLLARDS	EXTERIOR LATEX	1	MATCH SHERWIN WILLIAMS SW 4081 "SAFETY RED"
7	EIFS FINISH	EIFS FINISH	2	COLOR T.B.D. - COLOR TO BE SELECTED BY OWNER. OWNER TO SUPPLY TO FAMILY DOLLAR FOR APPROVAL.

### EXTERIOR FINISH NOTES:

- IF METAL BUILDING IS USED, G.C. TO SUBMIT MANUFACTURER'S STANDARD COLORS TO FAMILY DOLLAR FOR APPROVAL.
- G.C. OR PAINT CONTRACTOR MUST NOTIFY LOCAL SHERWIN WILLIAMS DEALER THAT PAINT IS BEING PURCHASED FOR A FAMILY DOLLAR STORE AND PROVIDE SHERWIN WILLIAMS DEALER WITH STORE LOCATION.



**4 LEFT SIDE ELEVATION**  
SCALE = 1/8" = 1'-0"

**5 CANOPY DTL.**  
SCALE = 3/8" = 1'-0"

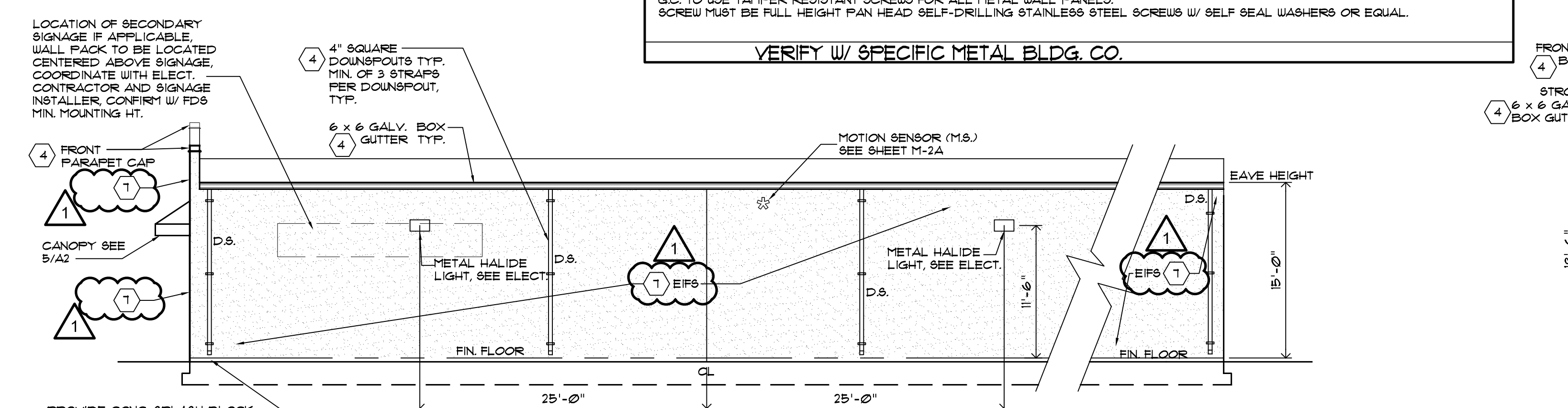
**NOTE: FREIGHT DOOR MUST BE SHIELDED OVERHEAD FROM THE WEATHER. IF THE PROTOTYPE CANOPY IS NOT USED, AN AWNING, VESTIBULE OR OTHER FORM OF PROTECTION MUST BE USED. FINAL APPROVAL FROM FAMILY DOLLAR STORES.**

**DOWNSPOUT NOTE:**  
DOWNSPOUTS SPACING TO BE DETERMINED BY CIVIL ENGINEER BASED ON LOCAL TYPICAL AND MAXIMUM RAINFALL AMOUNTS, WITH DOWNSPOUTS PLACED EQUALLY APART TYP. NO DOWNSPOUT MAY BE PLACED WITHIN 12" OF A DOOR FRAME. USE A MINIMUM OF THREE STRAPS PER DOWNSPOUT, TYPICAL.

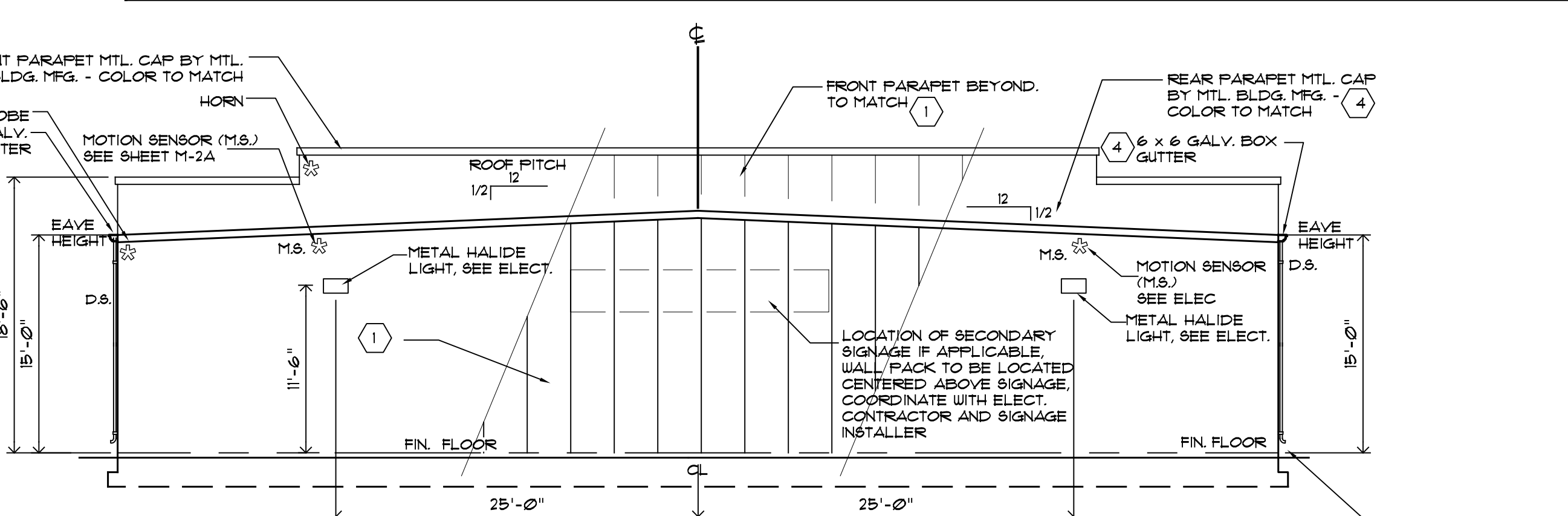
**GENERAL EXTERIOR NOTE:**  
PROVIDE SLEEVE, BOOT, OR OTHER APPROPRIATE PENETRATION MATERIAL FOR A CLEAN TRANSITION FROM EXTERIOR TO INTERIOR FOR ALL CONDUIT WIRE, PIPE ETC. OWNER MUST APPROVE METHOD AND FINISH BEFORE BUILDING COMPLETION.

**EXTERIOR MOTION SENSOR SYSTEM:**  
CONSISTING OF:  
ONE HORN LOCATED ON THE BACK SIDE OF THE FRONT PARAPET AS SHOWN ON REAR ELEVATION.  
TWO STROBES LOCATED AT OPPOSITE CORNERS OF THE BUILDING JUST BELOW THE PARAPET CAP AS SHOWN ON THE FRONT & REAR ELEVATIONS.  
FOUR MOTION SENSORS: ONE SENSOR LOCATED ON EACH SIDE OF THE BUILDING 40' FROM THE REAR WALL. TWO SENSORS ON THE REAR OF THE BUILDING AT THE FIRST AND THIRD QUARTER POINTS AS SHOWN.  
SEE MEP DRAWINGS FOR ADDITIONAL INFORMATION.

**METAL PANEL NOTES:**  
1. THIS SYSTEM USES A R-PANEL SCREW DOWN ROOF.  
2. THE 'A' PANELS FOR THE SIDE AND REAR ARE ATTACHED W/ TAMPER RESISTANT SCREWS. SCREWS TO BE PAN HEAD, WITH SELF SEAL WASHER.  
3. NOT USED  
4. METAL BUILDING EAVE HT. TO BE ADJUSTED AS REQUIRED TO MAINTAIN FAMILY DOLLAR STANDARD CEILING HEIGHT.  
G.C. TO USE TAMPER RESISTANT SCREWS FOR ALL METAL WALL PANELS. SCREW MUST BE FULL HEIGHT PAN HEAD SELF-DRILLING STAINLESS STEEL SCREWS W/ SELF SEAL WASHERS OR EQUAL.  
VERIFY W/ SPECIFIC METAL BLDG. CO.



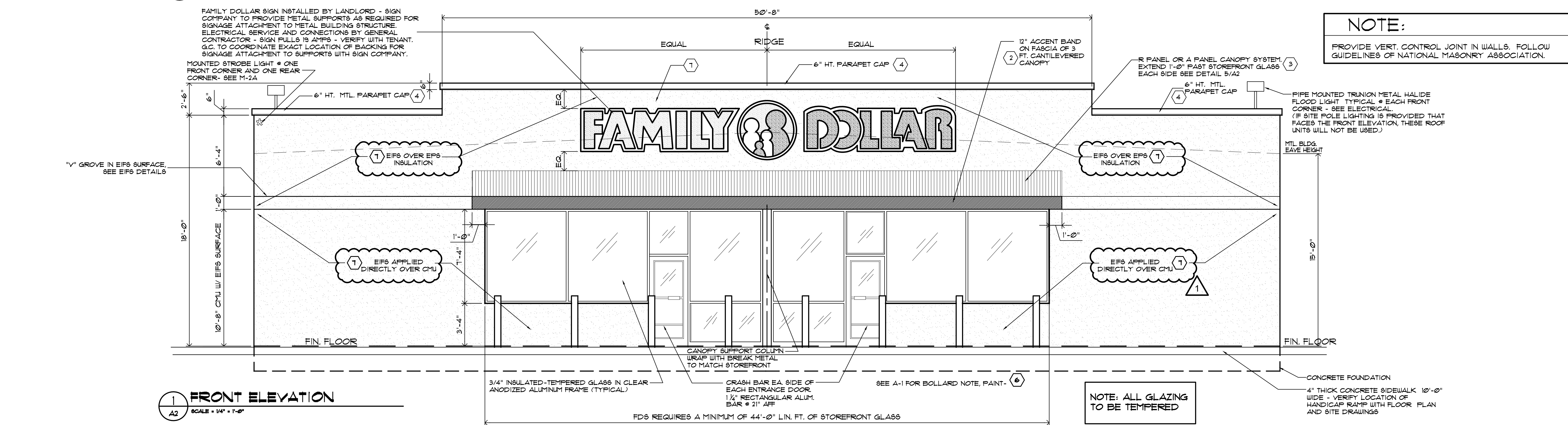
**2 RIGHT SIDE ELEVATION**  
SCALE = 1/8" = 1'-0"



**3 REAR ELEVATION**  
SCALE = 1/8" = 1'-0"

**NOTE: STOREFRONT DOORS MUST BE SHIELDED OVERHEAD FROM THE WEATHER. IF THE PROTOTYPE CANOPY IS NOT USED, AN AWNING OR OTHER FORM OF PROTECTION MUST BE USED. FINAL APPROVAL FROM FAMILY DOLLAR STORES.**

**NOTE:**  
PROVIDE VERT. CONTROL JOINT IN WALLS. FOLLOW GUIDELINES OF NATIONAL MASONRY ASSOCIATION.



**1 FRONT ELEVATION**  
SCALE = 1/4" = 1'-0"

**NOTE: ALL GLAZING TO BE TEMPERED**

FD5 REQUIRES A MINIMUM OF 44'-0" LIN. FT. OF STOREFRONT GLASS

G:\FAMILY DOLLAR\FD-FL-Milton-80x100(09-04)09127\arch sheets-MILTON FL-09-04-80x100.dwg, 2/12/2010 1:09:56 PM, Adobe PDF.pc3