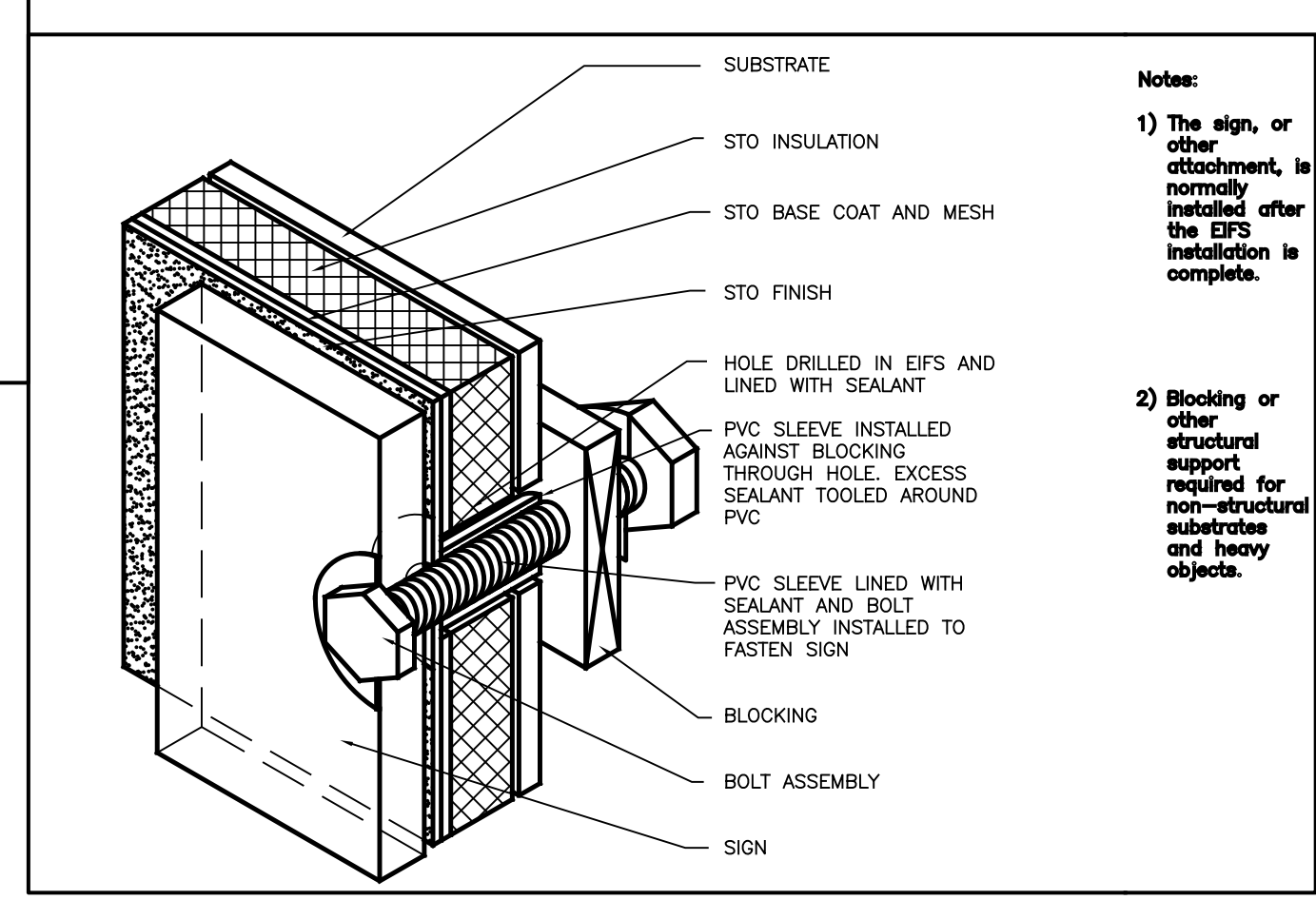


1 EIFS INSTALLATION AT STOREFRONTS
A4.1 NOT TO SCALE

2 EIFS INSTALLATION AT CMU FRONT WALL
A4.1 NOT TO SCALE

3 EIFS INSTALLATION AT FRONT PARAPET
A4.1 NOT TO SCALE

4 EIFS @ MISC. PENETRATION
A4.1 NOT TO SCALE



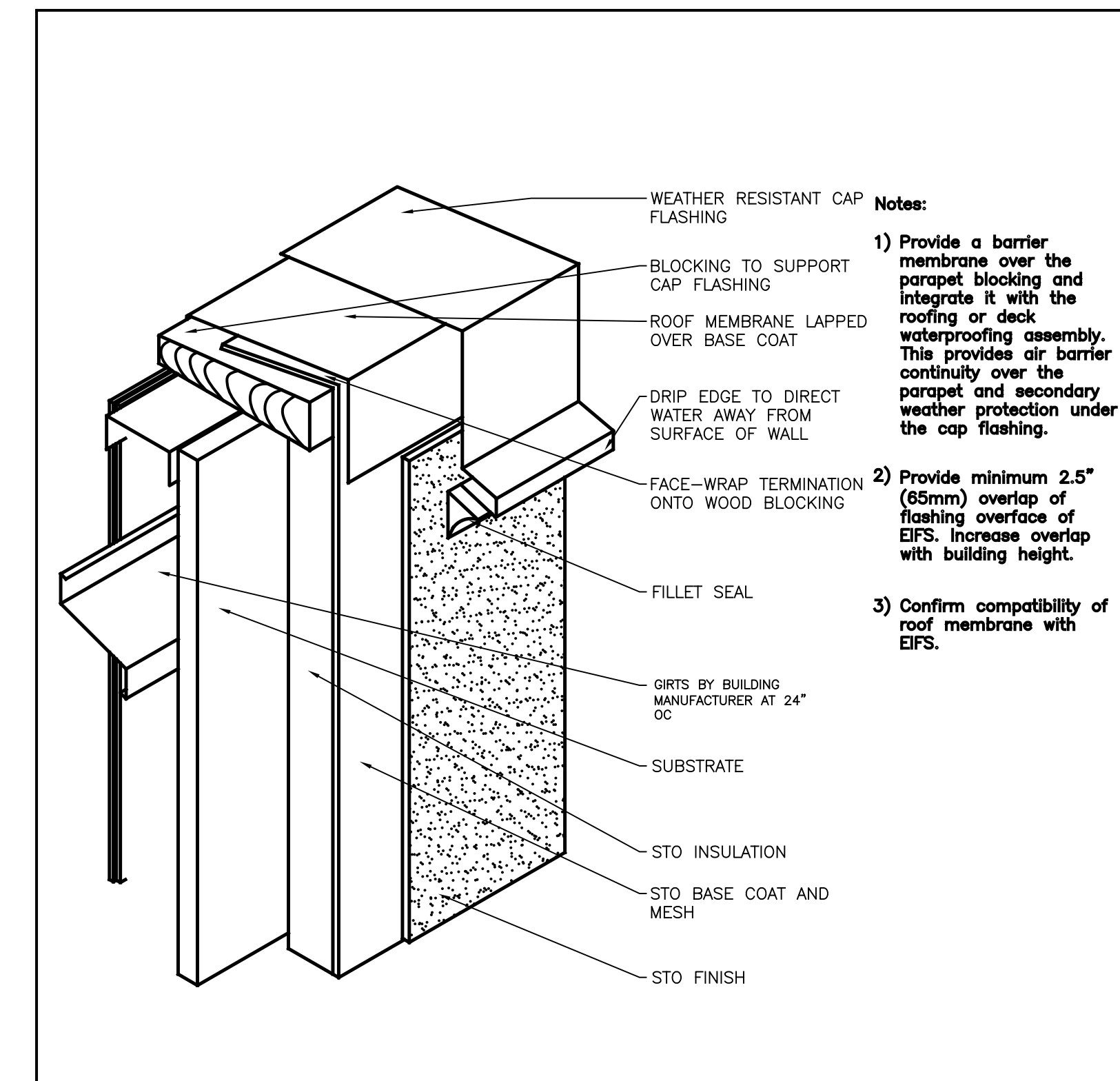
5 EIFS SIGN INSTALLATION
A4.1 NOT TO SCALE

EIFS GENERAL NOTES:

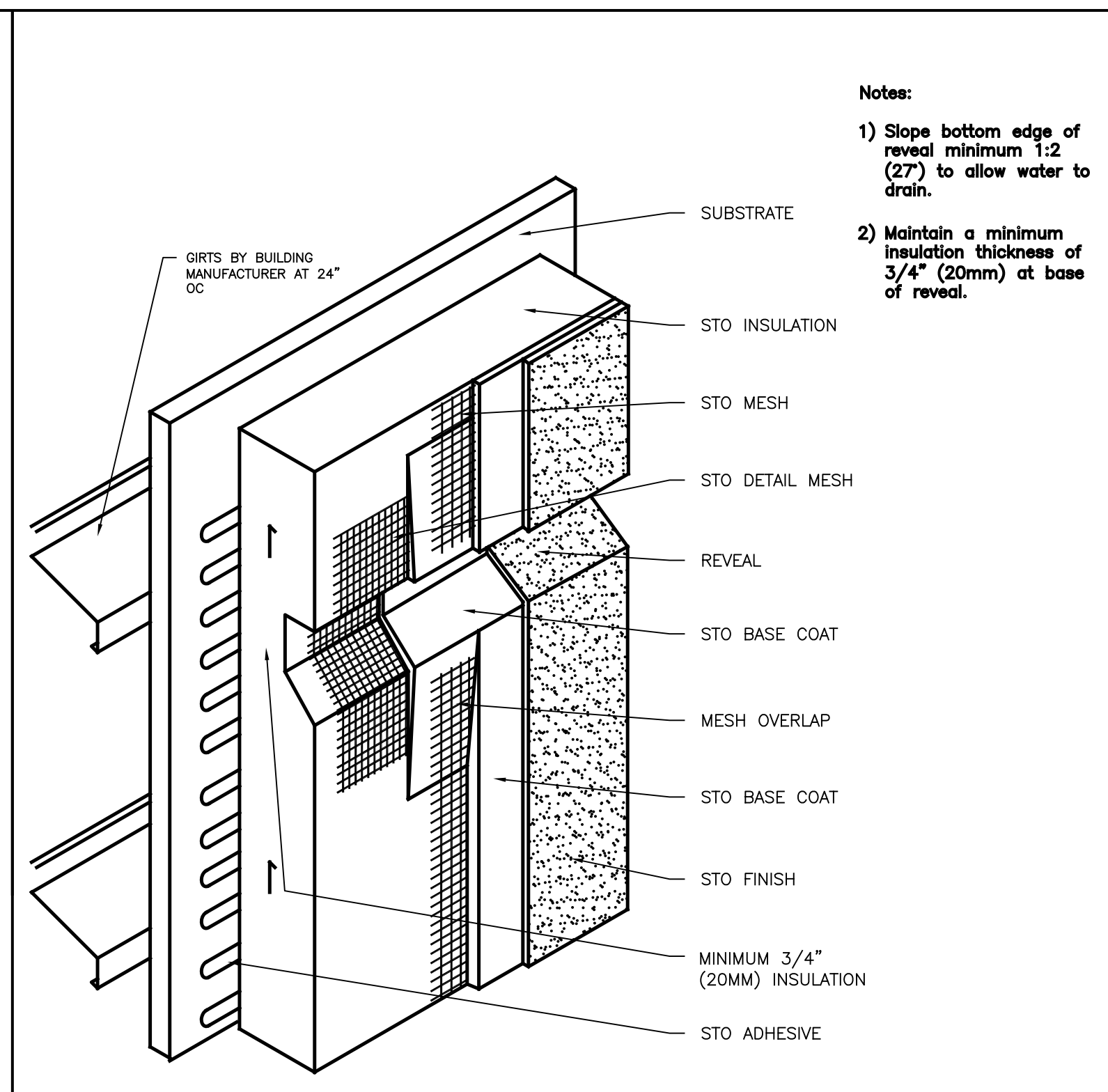
ALL DETAILS ARE FROM STO EXTERIOR FINISH SYSTEM. APPROVED EQUAL MAY BE USED WITH ALL MANUFACTURERS INSTALLATION INSTRUCTIONS FOLLOWED.

GC TO FOLLOW ALL MANUFACTURERS INSTALLATION INSTRUCTIONS.

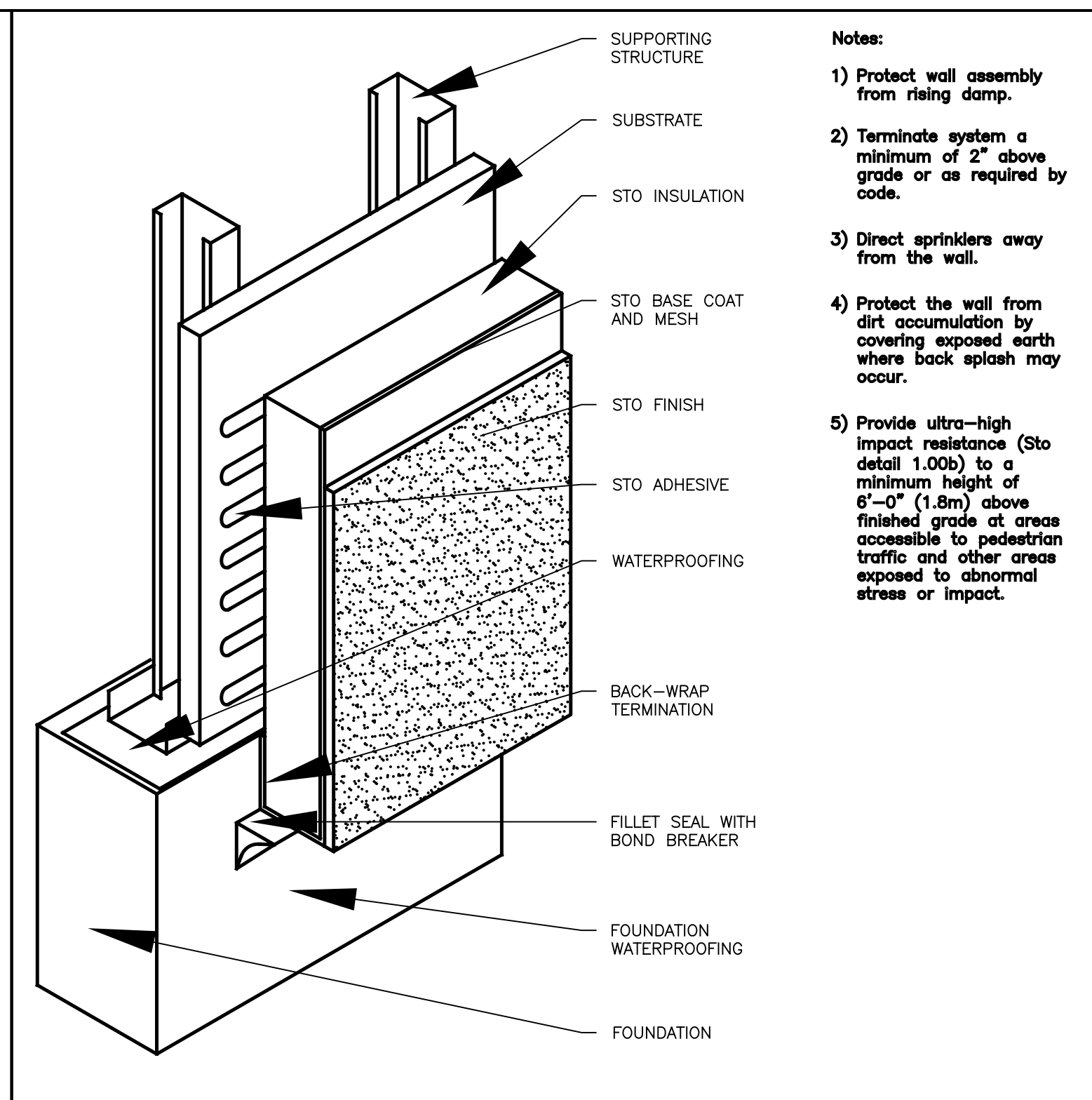
OWNER TO SELECT FINISH TYPE AND COLOR - OWNER TO SUPPLY FINISH TYPE AND COLOR TO FAMILY DOLLAR FOR APPROVAL.



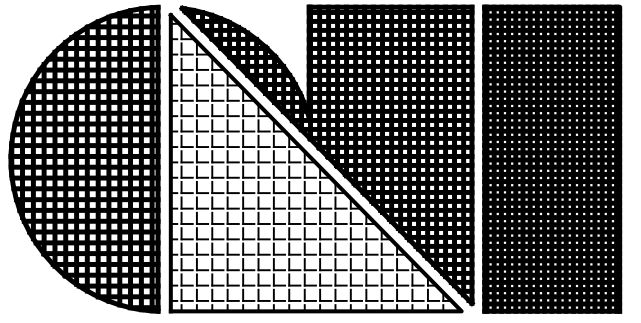
6 EIFS @ PARAPET
A4.1 NOT TO SCALE



7 EIFS V-GROOVE
A4.1 NOT TO SCALE



8 EIFS INSTALLATION AT LEFT WALL
A4.1 NOT TO SCALE



C.L. Helt, Architect Inc.

1136 Greenwood Cliff
Charlotte, NC 28204

Ph. 704-342-1686
Fx. 704-343-0054
E-MAIL CHELHELT @ CLHELT.COM

ARCHITECT'S PROJECT # 09127

Project #
FAMILY DOLLAR
FOR
BOOS DEVELOPMENT GROUP, INC
STATE ROUTE 89
MILTON, FLORIDA
DESIGN BASED ON 2009-04 FD PROTOTYPE

Sheet Description #
TYPICAL EIFS DETAILS

THIS DRAWING AND ITS COPIES ARE THE COPYRIGHT OF THE ARCHITECT. THEY MAY NOT BE USED FOR PROJECTS OTHER THAN THE DESIGNATED PROJECT WITHOUT THE SPECIFIC WRITTEN APPROVAL OF C. L. HELT ARCHITECT INC. AND OR CHESTER LEROY HELT, ARCHITECT

Drawn By :

D. MYERS

Checked By :

D. MYERS

Revisions :

2510 1 Added EIFS

2

3

4

Seal

Date :

12/22/09

Sheet No.

A4.1

of 6

NEW SHEET