

C.L. Helt, Architect Inc.

1136 Greenwood Cliff
Charlotte, NC 28204

Ph. 704-342-1686
Fx. 704-343-0054
E-MAIL CHETHELT @ CLHELT.COM

ARCHITECT'S PROJECT # 09177

Project #
FAMILY DOLLAR
FOR
BOOS DEVELOPMENT GROUP, INC
STATE ROUTE 89
MILTON, FLORIDA
DESIGN BASED ON 2009-04 FD PROTOTYPE

Sheet Description #
DETAILS AND NOTES
DETAILS

THIS DRAWING AND ITS COPIES ARE THE COPYRIGHT OF THE ARCHITECT. THEY MAY NOT BE USED FOR PROJECTS OTHER THAN THE DESIGNATED PROJECT WITHOUT THE SPECIFIC WRITTEN APPROVAL OF C. L. HELT ARCHITECT INC. AND OR CHESTER LEROY HELT, ARCHITECT

Drawn By :
D. MYERS

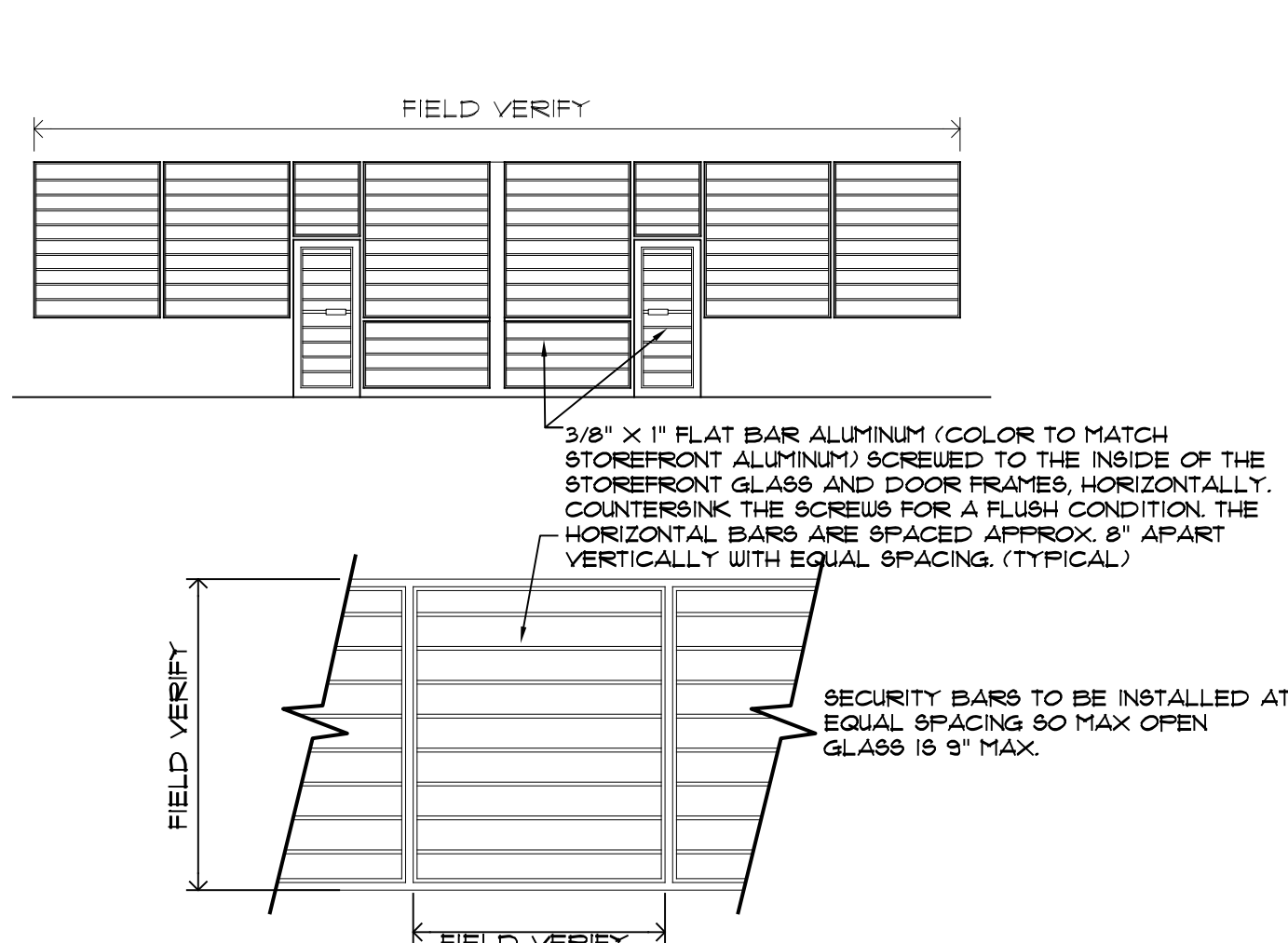
Checked By :
D. MYERS

Revisions :
1
2
3
4

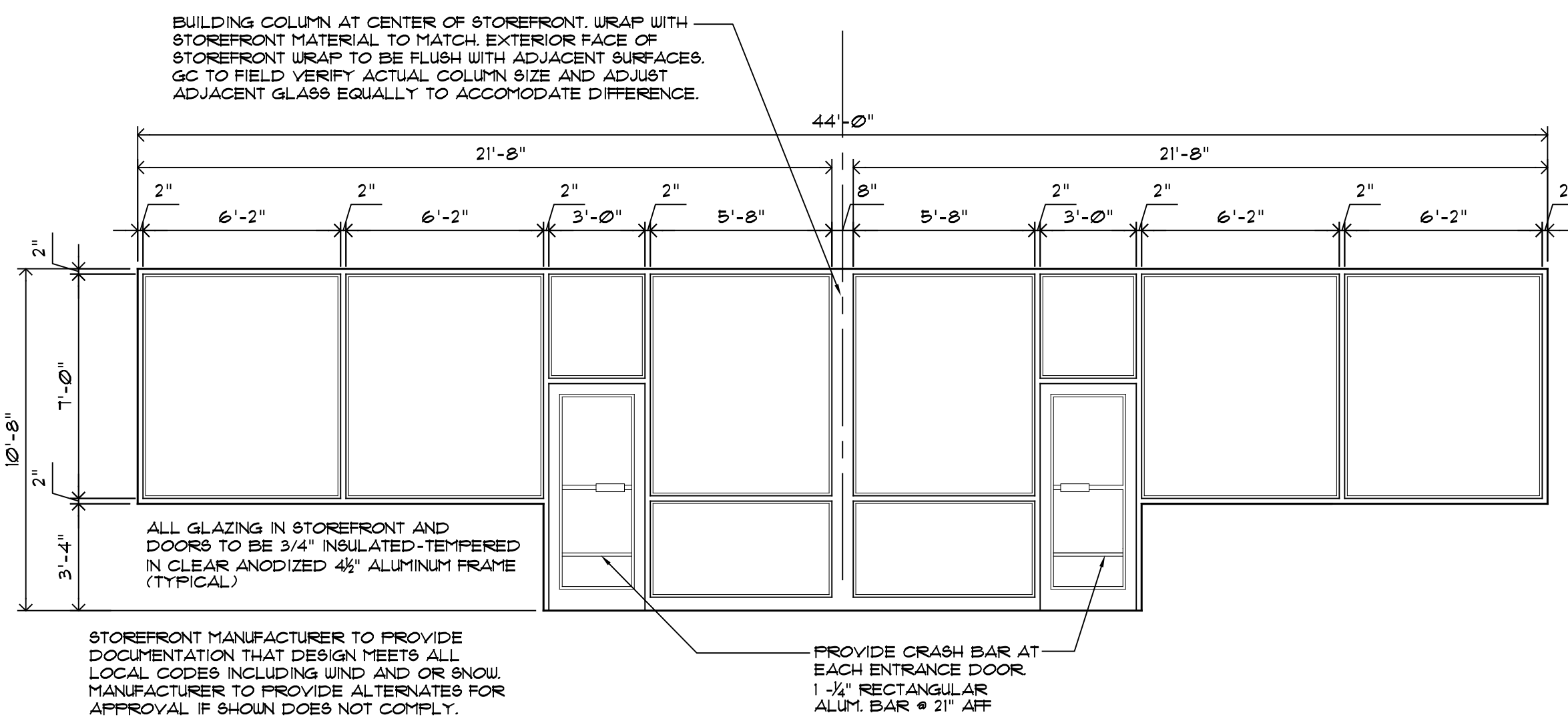
Seal

Date :
12/22/09

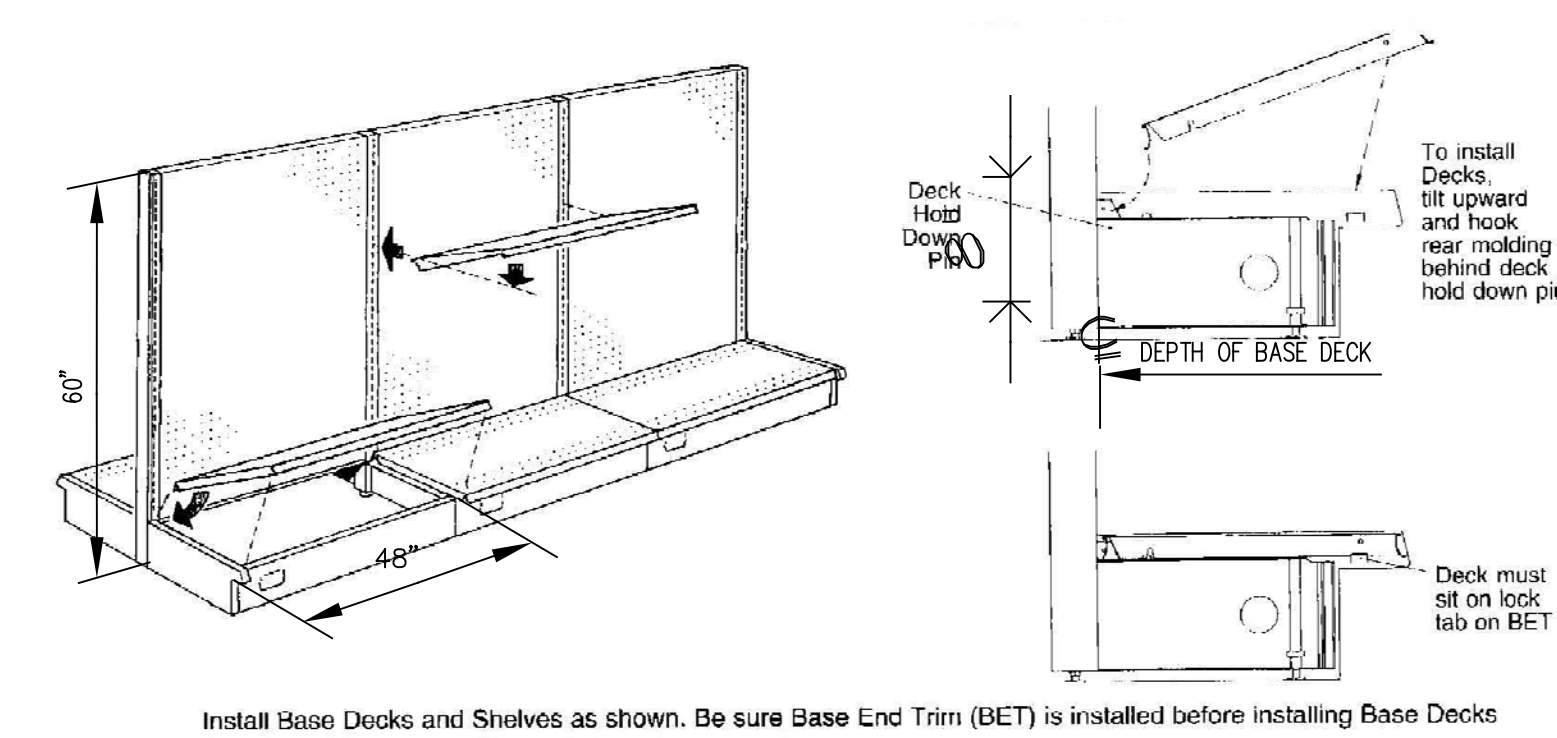
Sheet No.
A-4A
of : 61



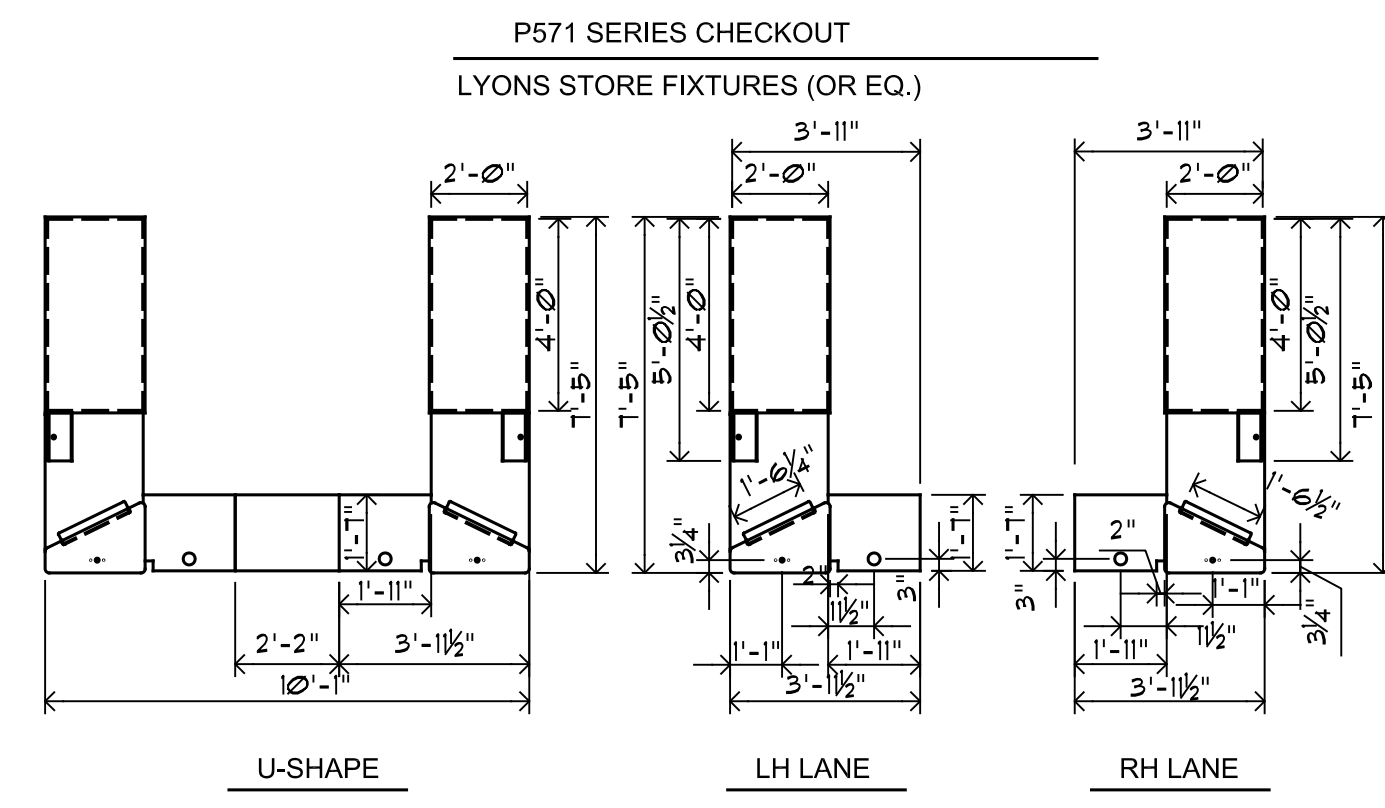
1 SECURITY BARS
A-4 1/8" x 1'-0"



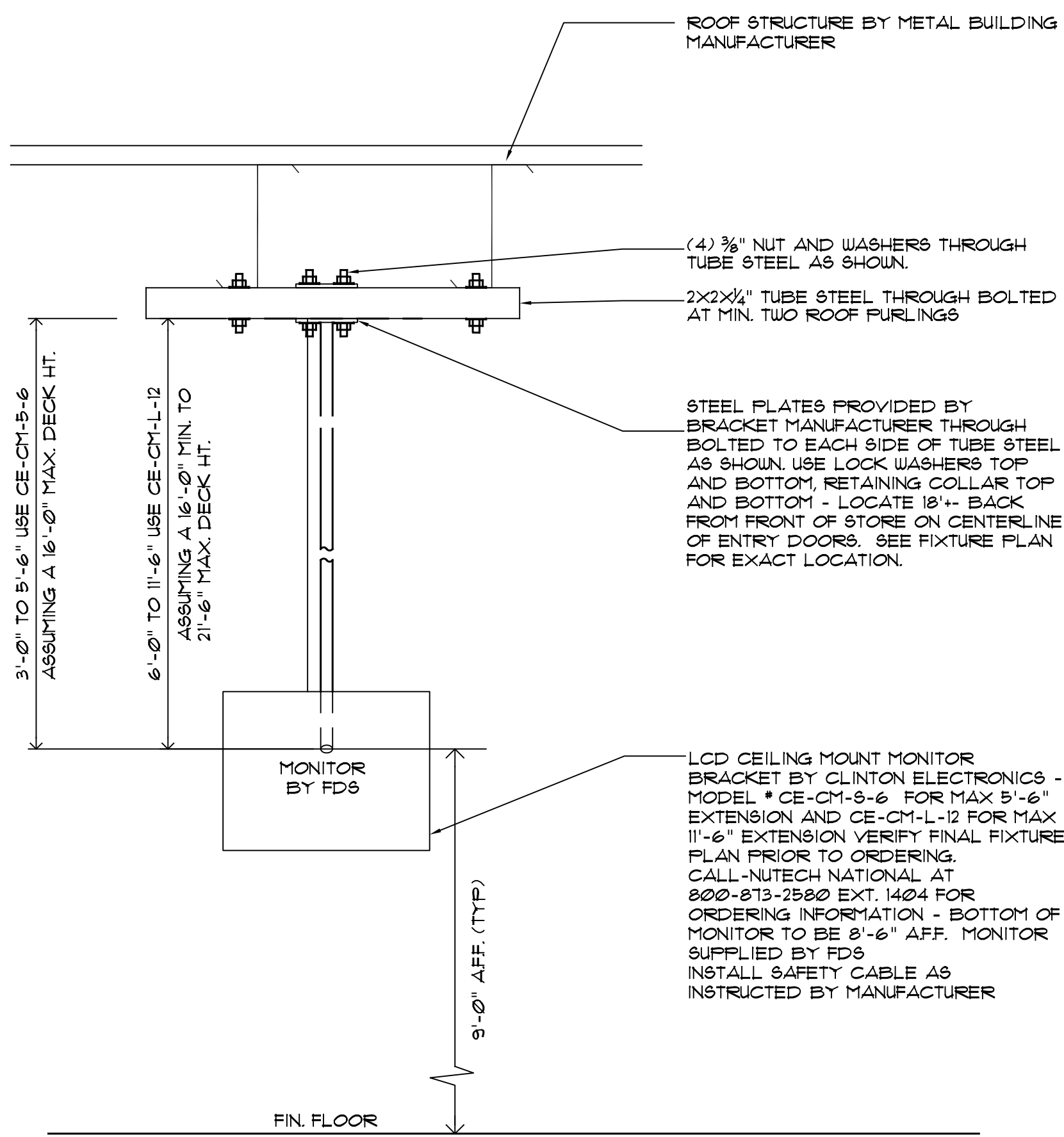
2 STOREFRONT
A-4 1/4" x 1'-0"



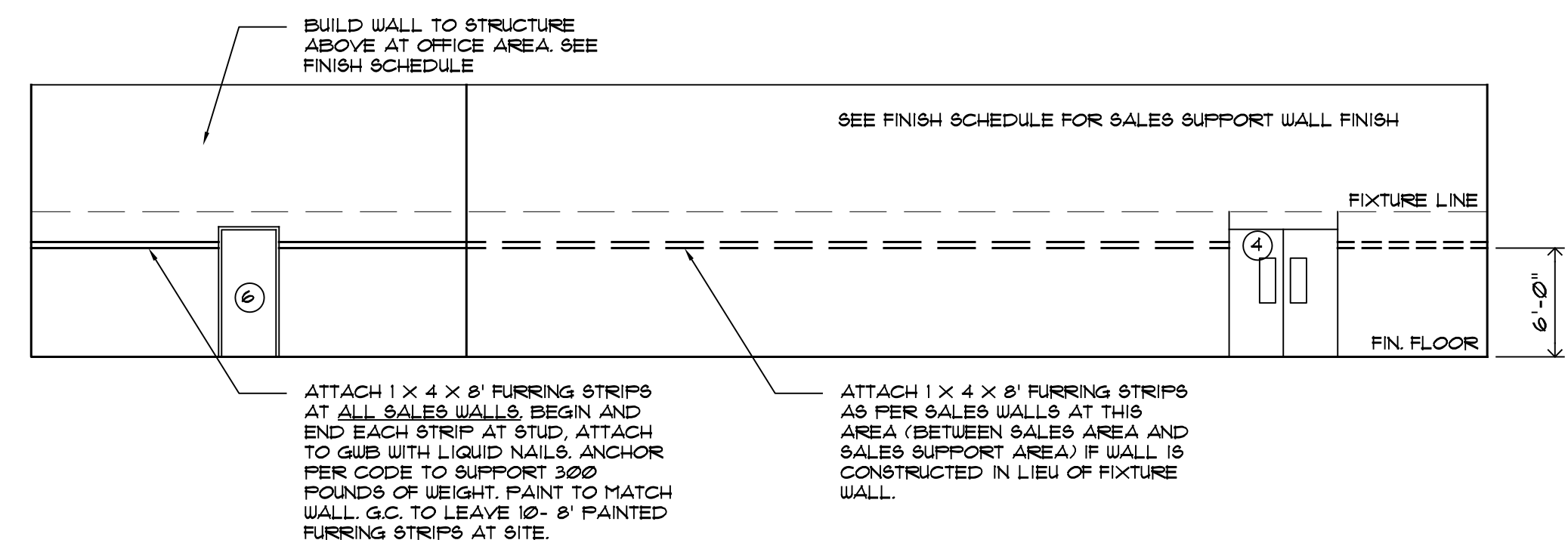
3 GONDOLA SHELVING DETAIL
A-4 NTA



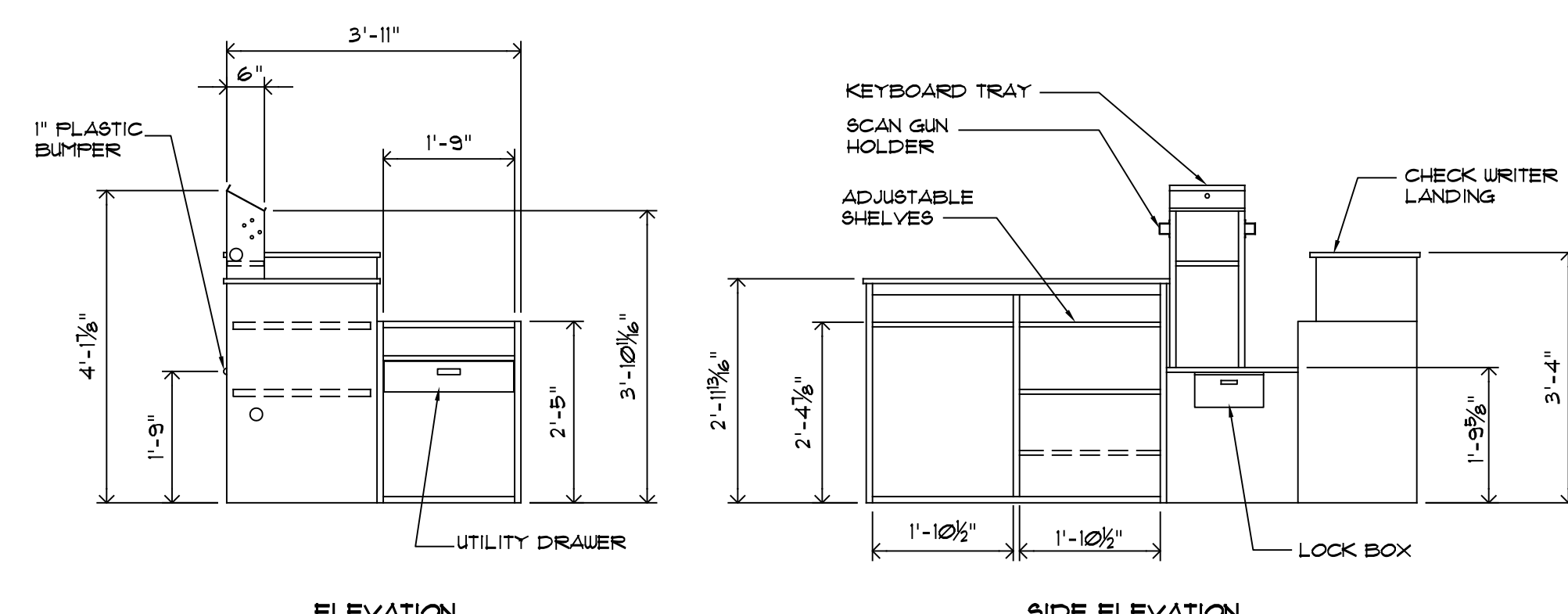
4 SALES AREA FURRING DETAIL
A-4 1/8" x 1'-0"



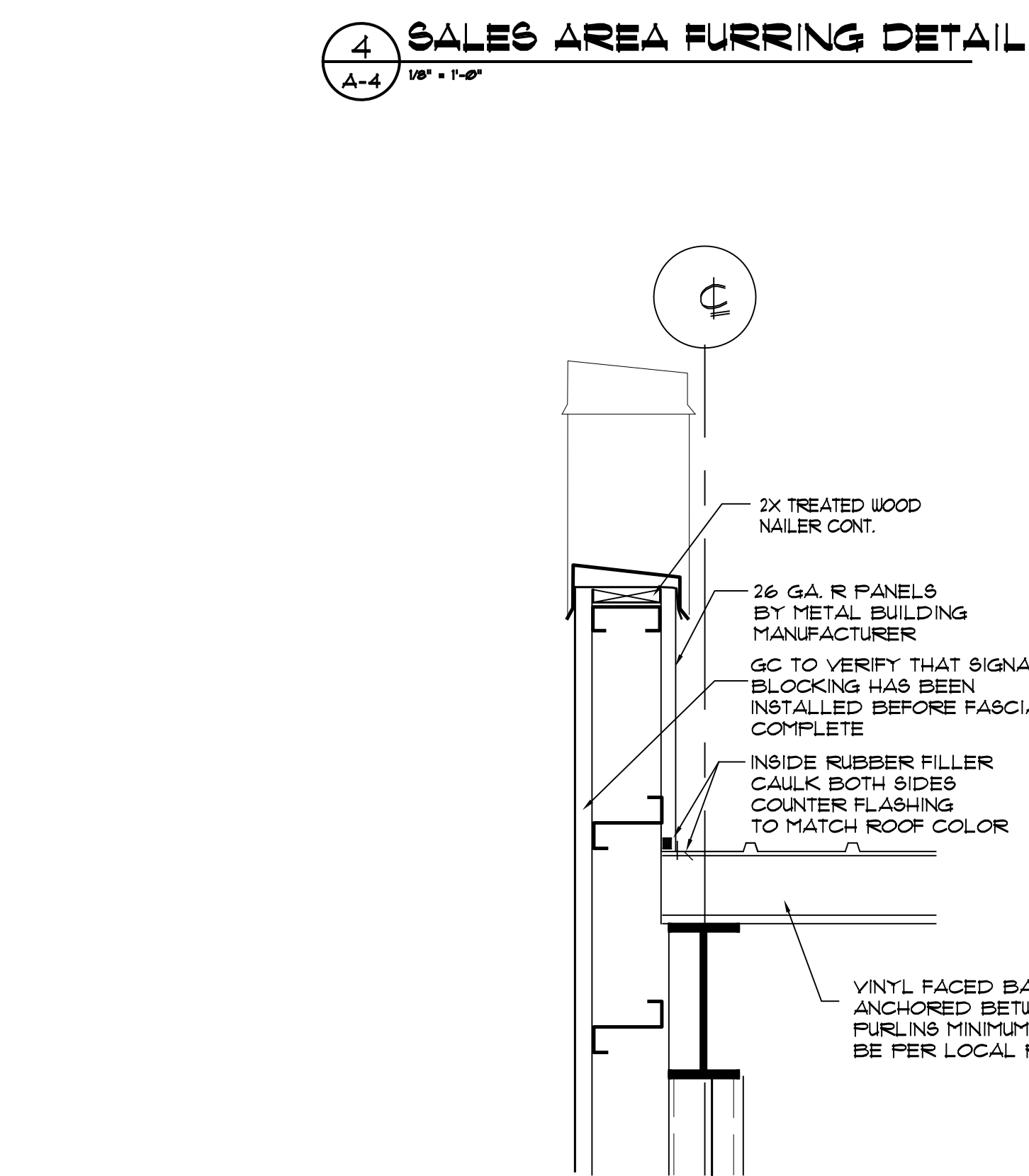
5 MONITOR DETAILS
A-4 1/2" x 1'-0"



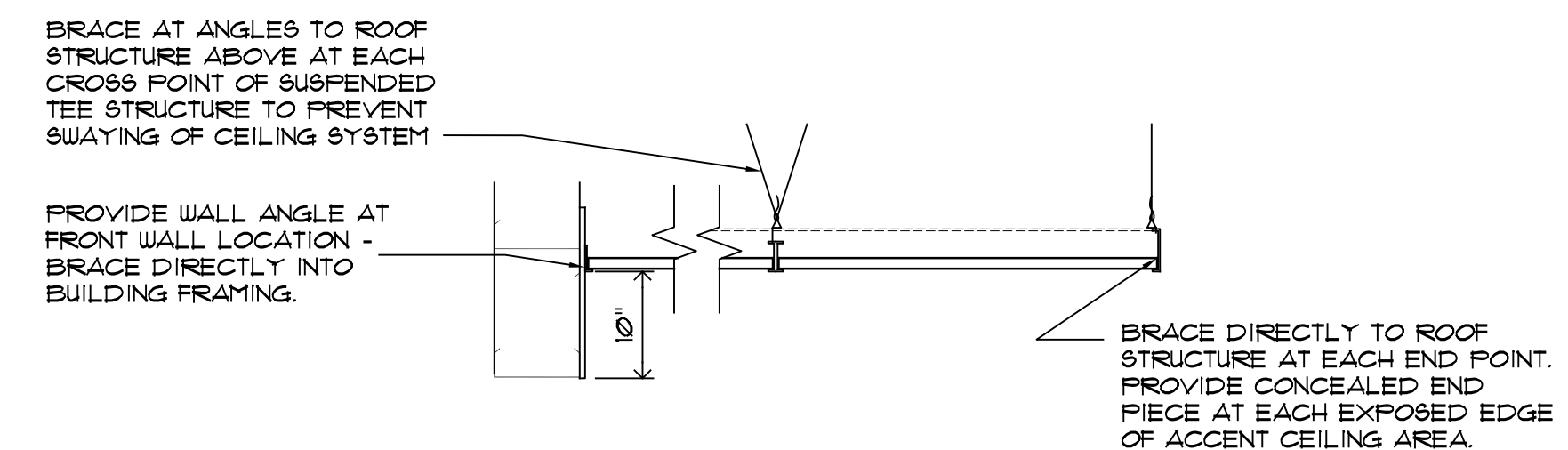
6 CHECK OUT PLAN
A-4 1/4" x 1'-0"



7 CHECK OUT ELEVATION
A-4 1/2" x 1'-0"



8 ROOF @ PARAPET
A-4 3/4" x 1'-0"



9 ACCENT AREA CEILING
A-4 3/4" x 1'-0"

G:\FAMILY DOLLAR\FD-FL\Milton-80x100\09-04\09177\arch sheets\MILTON_FL_09-04-80x100.dwg, SHEET A-4-A, 1/14/2010 1:05:11 PM