

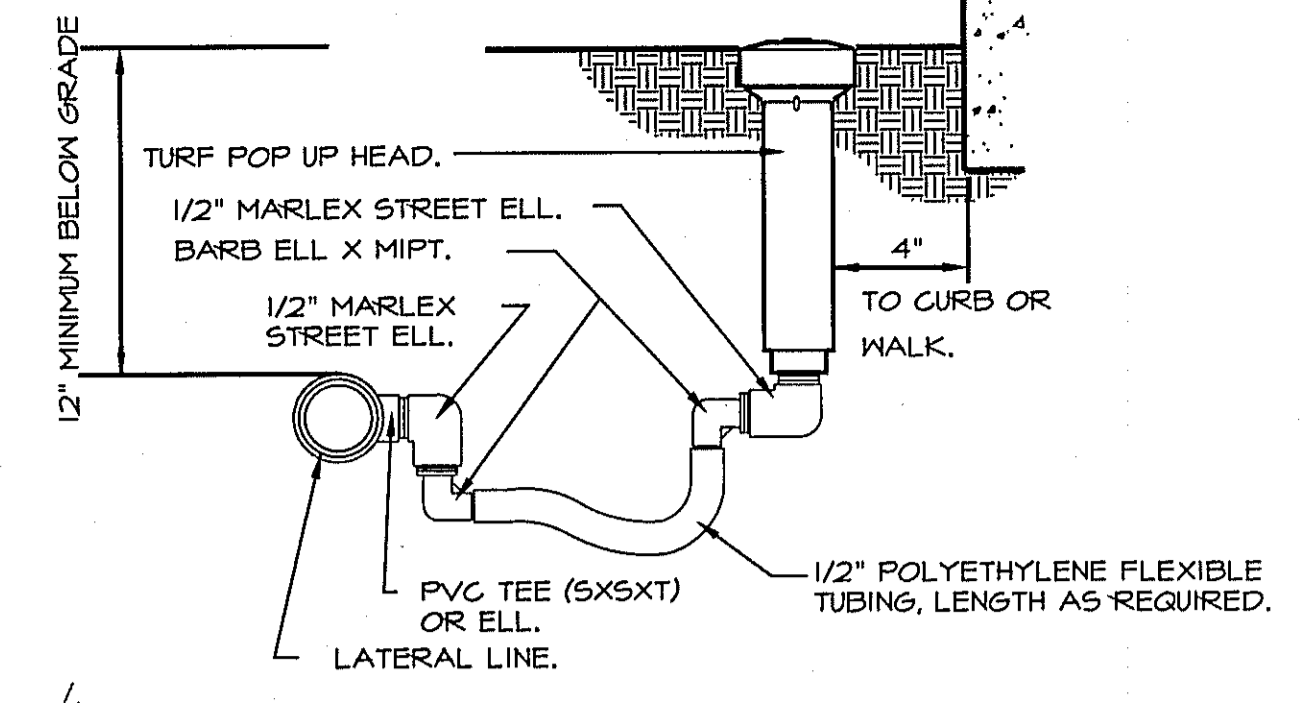
CRITICAL ANALYSIS
Generated: 11/19/2007

P.O.C. NUMBER: 01
Water Source Information: SUBMERSTIBLE WELL

FLOW AVAILABLE
Point of Connection Size: 2"
Flow Available: 78.62 gpm

PRESSURE AVAILABLE
Static Pressure at POC: 80.00 psi
Elevation Change: 5.00 ft
Service Line Size: 2"
Length of Service Line: 20.00 ft
Pressure Available: 76.00 psi

DESIGN ANALYSIS
Critical Station Flow: 55.63 gpm
Flow Available at POC: 78.62 gpm
Residual Flow Available: 22.99 gpm



TURF SPRAY
SCALENTS

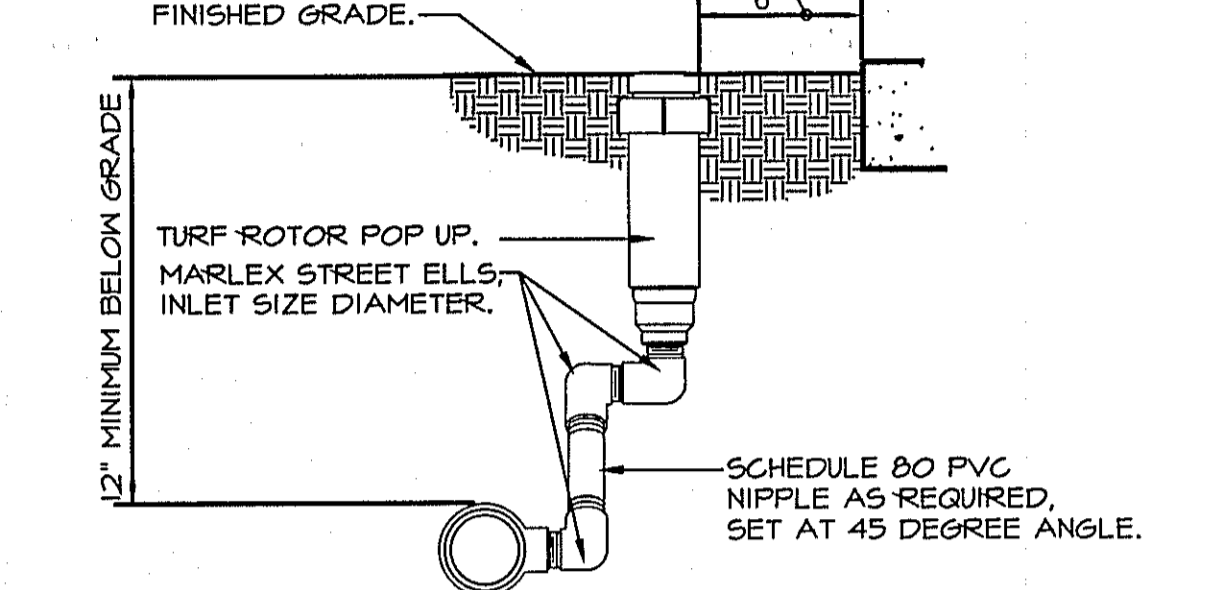
CLEAR TO FENCE OR HARDSCAPE, WHERE APPLICABLE.

FINISHED GRADE.

12" MINIMUM BELOW GRADE

TURF ROTOR POP UP.
MARLEX STREET ELLS.
INLET SIZE DIAMETER.

SCHEDULE 80 PVC NIPPLE AS REQUIRED, SET AT 45 DEGREE ANGLE.



TURF ROTOR
SCALENTS

2" ABOVE FINISH GRADE AT SHRUBS.
3/4" ABOVE FINISH GRADE AT LAWN.

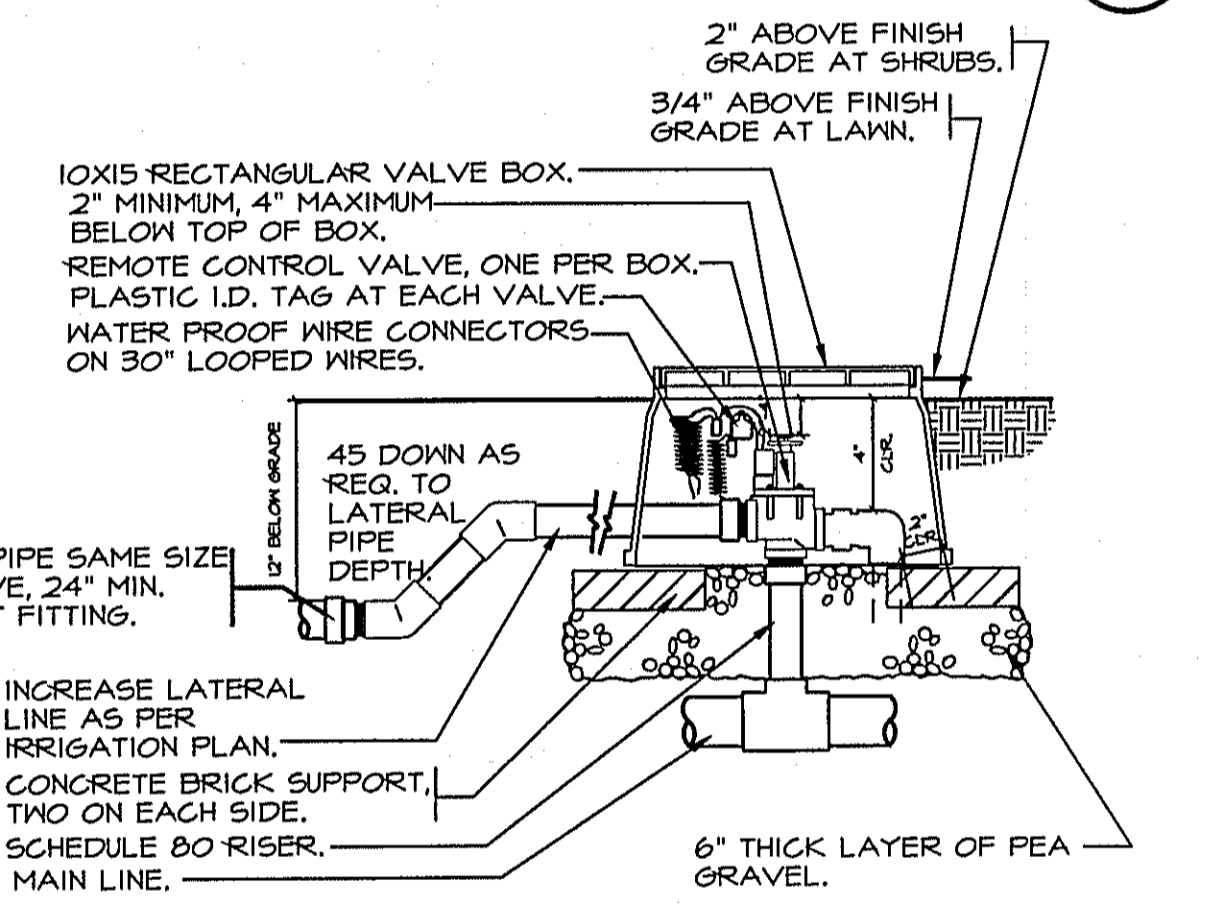
10X15 RECTANGULAR VALVE BOX.
2" MINIMUM, 4" MAXIMUM BELOW TOP OF BOX.
REMOTE CONTROL VALVE, ONE PER BOX.
PLASTIC I.D. TAG AT EACH VALVE.
WATER PROOF WIRE CONNECTORS ON 30" LOOPED WIRES.

45 DOWN AS REQ. TO LATERAL PIPE DEPTH

OUTLET PIPE SAME SIZE AS VALVE, 24" MIN. TO FIRST FITTING.

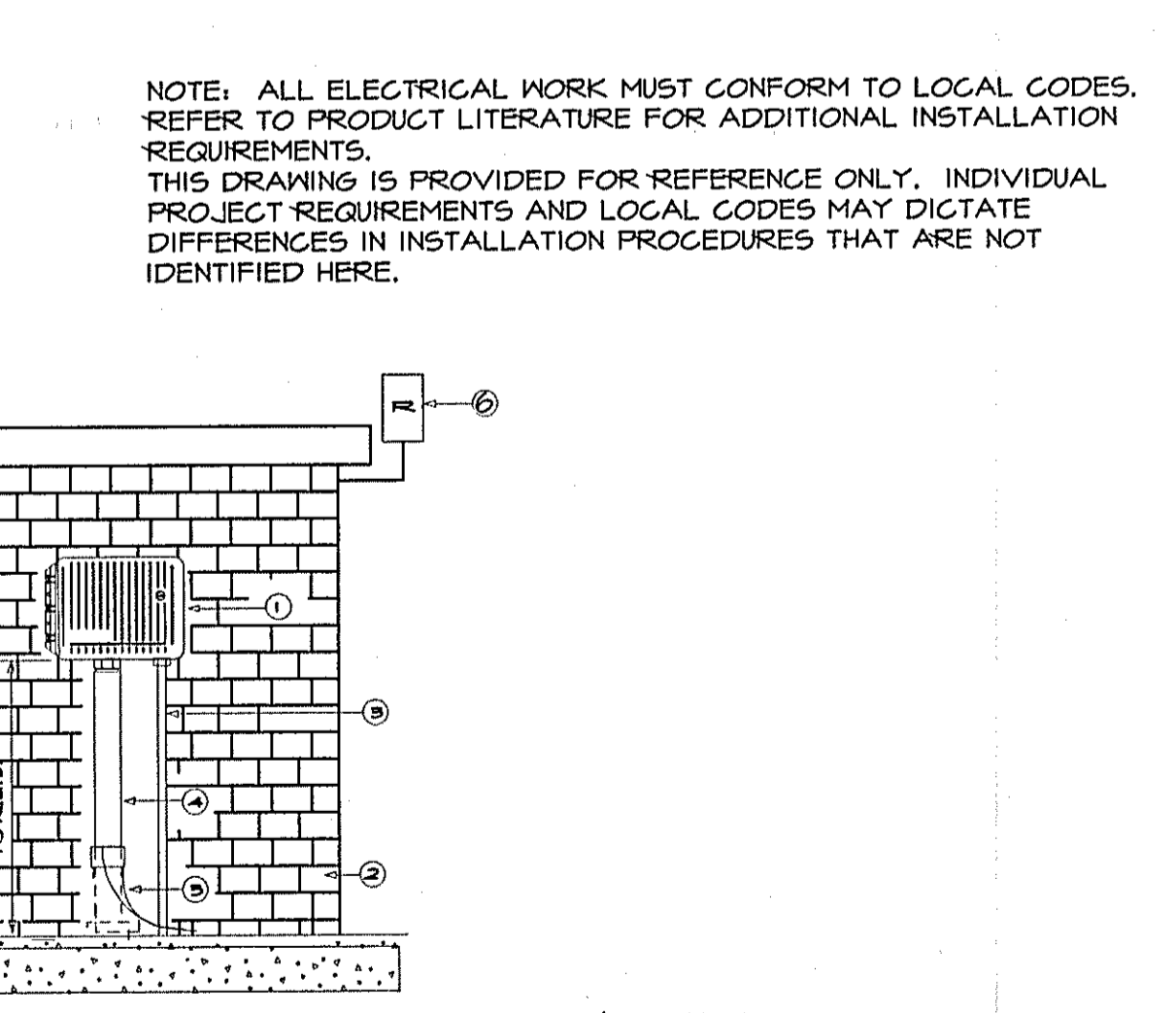
INCREASE LATERAL LINE AS PER IRRIGATION PLAN.
CONCRETE BRICK SUPPORT, TWO ON EACH SIDE.
SCHEDULE 80 RISER, MAIN LINE.

6" THICK LAYER OF PEA GRAVEL.



VALVE
SCALENTS

NOTE: ALL ELECTRICAL WORK MUST CONFORM TO LOCAL CODES. REFER TO PRODUCT LITERATURE FOR ADDITIONAL INSTALLATION REQUIREMENTS. THIS DRAWING IS PROVIDED FOR REFERENCE ONLY. INDIVIDUAL PROJECT REQUIREMENTS AND LOCAL CODES MAY DICTATE DIFFERENCES IN INSTALLATION PROCEDURES THAT ARE NOT IDENTIFIED HERE.



CONTROLLER
SCALENTS

① AUTOMATIC SPRINKLER CONTROLLER (EXTERIOR WALL MOUNT)
② EXISTING BRICK COLUMN
③ ELECTRICAL CONDUIT TO POWER SOURCE
④ PVC SCHEDULE 40 CONTROL WIRE CONDUIT (SIZE AS REQUIRED)
⑤ PVC SNEEP ELL (PROTECTING LOW VOLTAGE CONTROL WIRES TO OUTSIDE PLANTER AREA)
⑥ RAIN SENSOR WITH ALUMINUM BRACKET

IRRIGATION SCHEDULE

SYMBOL	MANUFACTURER/MODEL	QTY	ARC	PSI	GPM	RADIUS
□	Hunter PROS-06 adjustable arc	11	Adj	30	7'	
□	Hunter PROS-06 adjustable arc	4	Adj	30	10'	
□	Hunter PROS-06 adjustable arc	22	Adj	30	12'	
□	Hunter PROS-06 adjustable arc	36	Adj	30	15'	
□	Hunter PROS-06 adjustable arc	36	Adj	30	17'	
△	Hunter PROS-012 5' strip spray	33	SST	30	1.3	5'x30'
△	Hunter PROS-012 5' strip spray	22	LCS	30	0.7	5'x15'
△	Hunter PROS-012 5' strip spray	18	RCS	30	0.7	5'x15'
SYMBOL	MANUFACTURER/MODEL/DESCRIPTION	QTY	PSI	GPM	RADIUS	
3.0	Hunter PGM-04 Turf Rotor, 4" pop up, adjustable	76	30	2.5	28'	
SYMBOL	MANUFACTURER/MODEL/DESCRIPTION	QTY				
⊕	Hunter PGV-151, 201 Electric Remote Control Valve, plastic, with globe/angle valve, flow control.	9				
C	Rain Bird ESP-10M Modular Controller, 10 stations, outdoor model.	1				
Ⓜ	Rain Bird RSD-BEX Rain Sensor with aluminum bracket, extension wire.	1				
WP	Well Pump	1				
PSF	Point of Connection 2" SUBMERSTIBLE WELL	1				
---	Irrigation Lateral Line: PVC Class 160	5,467 l.f.				
---	Irrigation Mainline: PVC Schedule 40	682 l.f.				
---	Pipe Sleeve: PVC Schedule 40	251 l.f.				

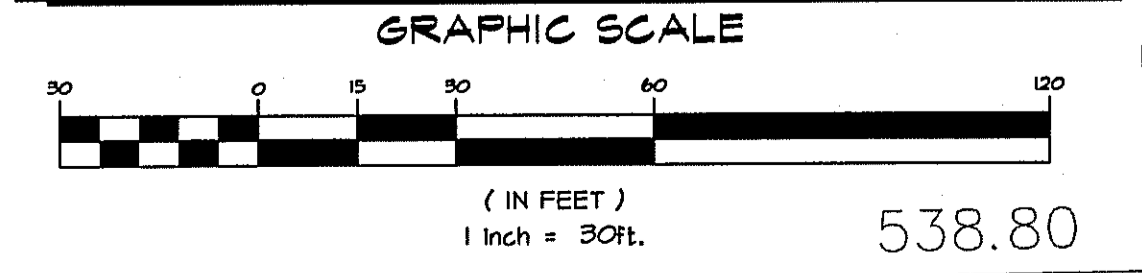
Valve Callout
Valve Number
Valve GPM
Valve Size

Typical pipe sleeve for irrigation pipe. Pipe sleeve size shall allow for irrigation piping and their related couplings to easily slide through sleeving material. Extend sleeves 18 inches beyond edges of paving or construction.

GENERAL IRRIGATION NOTES

- INSTALL 4" DIA. SCH 40 PVC SLEEVES UNDER PAVEMENT AS REQUIRED TO INSTALL IRRIGATION SYSTEM
- IRRIGATION MANUFACTURERS ACCEPTABLE AS FOLLOWS: NO ALTERNATES ACCEPTED. THE TORO CO. IRRIGATION DIVISION, IRRITROL SYSTEMS CO., HUNTER IRRIGATION, AND RAIN BIRD SPRINKLER MFG. CORP.
- LOCATE IRRIGATION CONTROLLER ON BACK SIDE OF EXISTING BRICK COLUMNS. SEE PROJECT MANAGER FOR MORE DETAILS.
- PROVIDE 100% SPRINKLER COVERAGE IN AREAS LANDSCAPED WITH TREES, SHRUBS, PERENNIALS, AND ANNUALS. ADJUST AS REQUIRED. NOTIFY ARCHITECT OF ANY DISCREPANCIES.
- PROVIDE AN AUTOMATIC SPRINKLER CONTROLLER. THE UNIT MUST PROVIDE 10 STATIONS, 1 DAY PROGRAMMING, MANUAL WATERING DELAY, MANUAL START OF EACH STATION, BATTERY BACK UP, AND A WATER RESISTANT, PLASTIC CABINET. (COORDINATE LOCATION WITH ELECTRICAL CONTRACTOR).
- CONTRACTOR SHALL MINIMIZE THE NO. OF TRENCHES FOR PIPING.
- PIPE LINE LOCATION FOR CLARITY ONLY. LOCATE IN LANDSCAPE AREAS WHEN EVER POSSIBLE.
- CONTRACTOR SHALL PROVIDE A RAIN SENSOR WHICH WILL SUSPEND IRR. DURING AND AFTER RAIN.

- SURVEYOR HAS NOT ABSTRACTED LANDS SHOWN HEREON FOR EASEMENTS, RIGHTS-OF-WAY, OR ANY OTHER MATTER OF RECORD WHICH MIGHT AFFECT THE TITLE OR USE OF SAID LANDS.
- NO UNDERGROUND INSTALLATIONS OR VISIBLE IMPROVEMENTS LOCATED OTHER THAN SHOWN.
- BEARINGS ARE BASED ON THE CENTERLINE OF U.S. HWY 17-92 ASSUMED AS BEING N14°05'50"E, PER DESCRIPTION.
- THE PROPERTY DESCRIPTION WAS PROVIDED TO THE SURVEYOR BY THE CLIENT.



MBI
michael brady inc.

100 COLONIAL CENTER PKWY
SUITE 230
LAKE MARY, FL 32746
PHONE: 407 885 0330
FAX: 407 885 0336
www.michaelbradyinc.com

AA26000828 25914 1B26000866 LC26000272

THE DESIGN PROFESSIONAL ASSURES ANY AND ALL RESPONSIBILITY AND LIABILITY FOR PROBLEMS WHICH ARISE FROM FAILURE TO FOLLOW THESE PLANS, SPECIFICATIONS AND THE DESIGN INTENT THEY CONVEY, OR PROBLEMS WHICH ARISE FROM OTHERS' FAILURE TO OBTAIN AND/OR FOLLOW THE DESIGN PROFESSIONAL'S GUIDANCE WITH RESPECT TO ANY ERRORS, OMISSIONS, INCONSISTENCIES, AMBIGUITIES OR CONFLICTS WHICH ARE ALLEGED.

COPYRIGHT © MICHAEL BRADY INC., 2007

GATEWAY CENTER FOR THE ARTS
US 17-92
DEBARY, FL

A NEW DEVELOPMENT FOR:

THIS DRAWING HAS BEEN ISSUED:

- FOR REVIEW ONLY
- FOR PERMITTING ONLY
- SCHEMATIC DESIGN
- DESIGN DEVELOPMENT
- CONSTRUCTION DOCUMENTS

Drawing Title: IRRIGATION PLAN

Date: 08/06/07

Designed By: JAP
Drawn By: MAG
Reviewed By: JAP

Comm. No. 07545

Revisions:

Sheet: Sheet No. of C6.1

JAY A. PETERSON
LA0000757

Signature and Date: 01.17.08