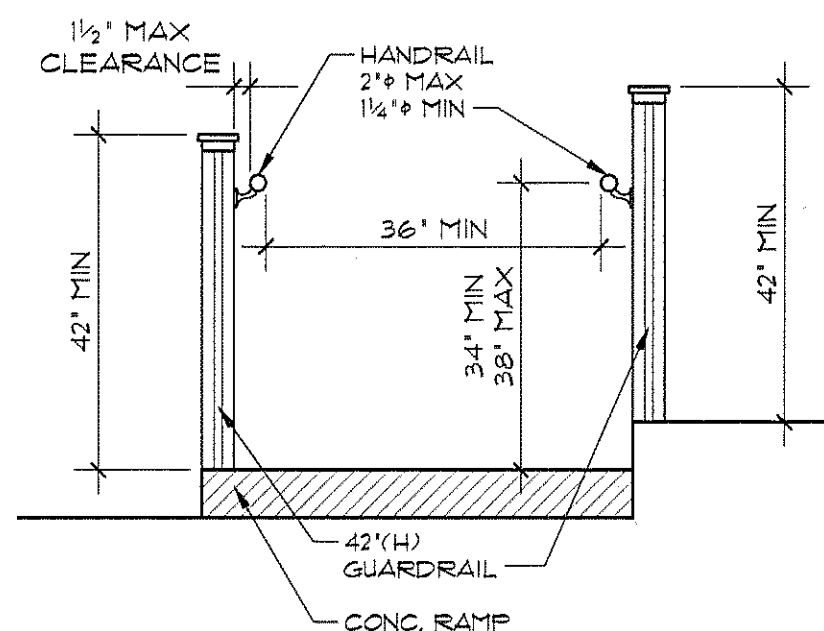


**GUARDRAIL NOTES**

1. GUARDRAILS SHALL FORM A VERTICAL PROTECTIVE BARRIER NOT LESS THAN 42" HIGH. (FBC 2004 1012.2)
2. SPINDLES IN A GUARDRAIL TO BE SPACED SUCH THAT A 4" SPHERE CANNOT PASS THROUGH ANY OPENING. (FBC 2004 1012.3)
3. GUARDRAILS SHALL BE DESIGNED AND CONSTRUCTED FOR A CONCENTRATED LOAD OF 200 LB. APPLIED AT ANY POINT AND IN ANY DIRECTION.

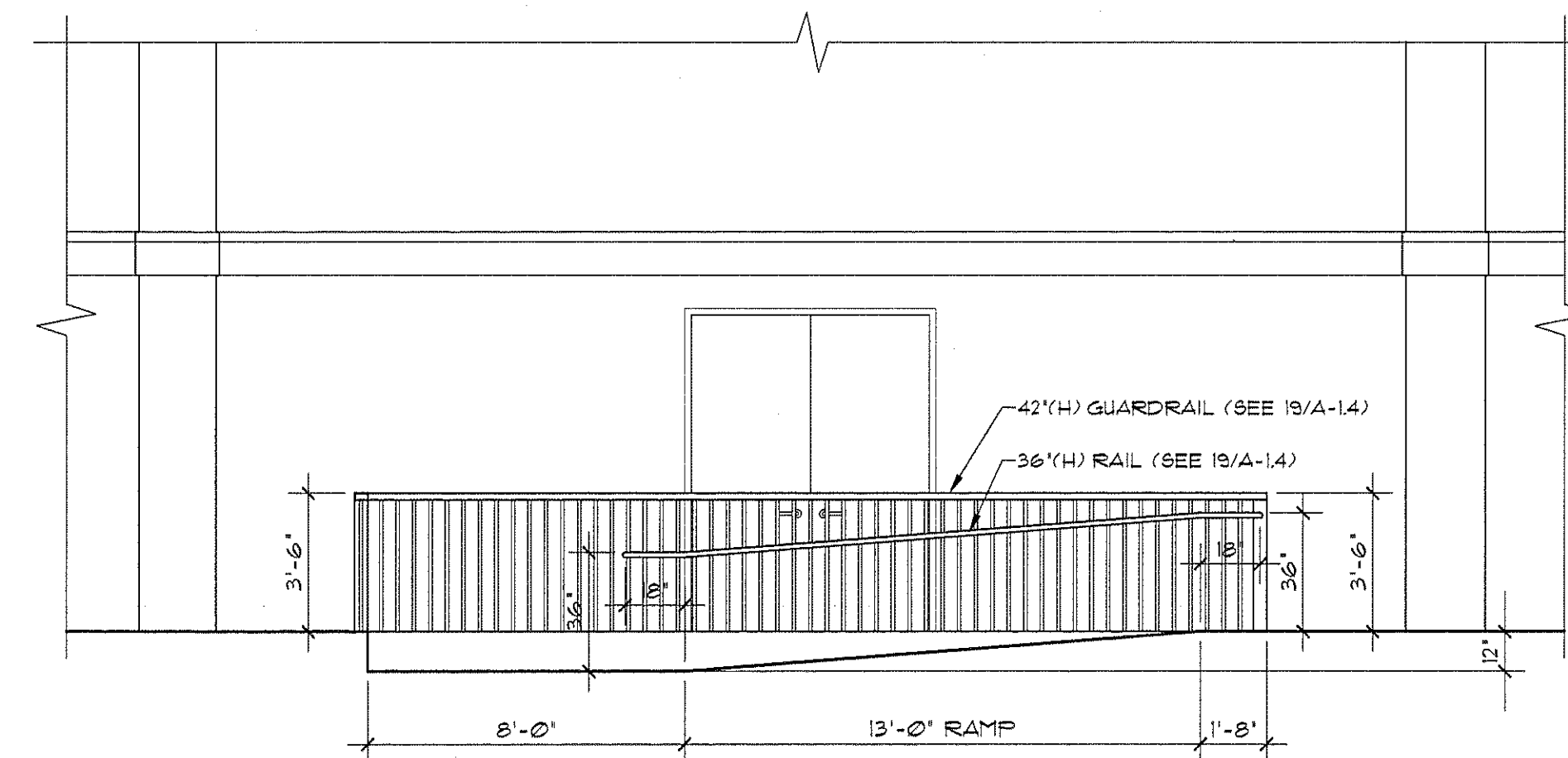
**RAMP HANDRAIL NOTES**

1. HANDRAILS SHALL BE PROVIDED ALONG BOTH SIDES OF A RAMP RUN WITH A RISE GREATER THAN 6 INCHES AND SHALL CONFORM TO THE REQUIREMENTS IN SECTIONS 1009.11. IF HANDRAILS ARE NOT CONTINUOUS, THEY SHALL EXTEND AT LEAST 18 INCHES BEYOND THE TOP AND BOTTOM OF THE RAMP SEGMENTS AND SHALL BE PARALLEL WITH THE FLOOR OR GROUND SURFACE. (FBC 2004 1010.8)
- A. HANDRAIL ASSEMBLIES AND GUARDS SHALL BE DESIGNED TO RESIST A LOAD OF 50 PLF APPLIED IN ANY DIRECTION AT THE TOP AND TO TRANSFER THIS LOAD THROUGH THE SUPPORTS TO THE STRUCTURE. (FBC 2004 1607.1.1)
- B. HANDRAIL ASSEMBLIES AND GUARDS SHALL BE ABLE TO RESIST A SINGLE CONCENTRATED LOAD OF 200 LBS. APPLIED IN ANY DIRECTION AT ANY POINT ALONG THE TOP AND HAVE ATTACHMENT DEVICES AND SUPPORTING STRUCTURE TO TRANSFER THIS LOADING TO APPROPRIATE STRUCTURAL ELEMENTS OF THE BUILDING. (FBC 2004 1607.1.1.1)
2. HANDRAIL HEIGHT, MEASURED ABOVE STAIR TREAD NOSINGS, OR FINISH SURFACE OF RAMP SLOPE SHALL BE UNIFORM, NOT LESS THAN 34" AND NOT MORE THAN 38". (FBC 2004 1009.11.1)



20 - RAMP NOTES

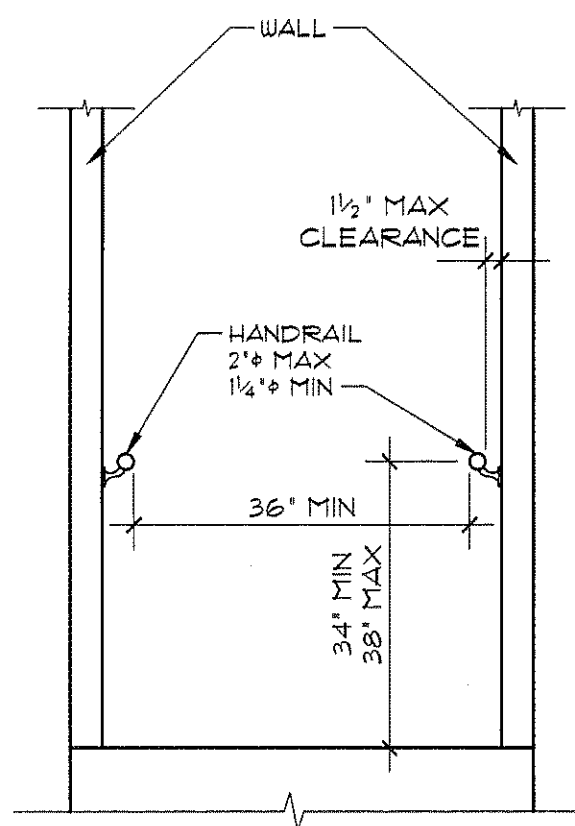
19 - HANDRAIL @ RAMP SCALE: 1/2" = 1'-0"



18 - RAMP SECTION SCALE: 1/4" = 1'-0"

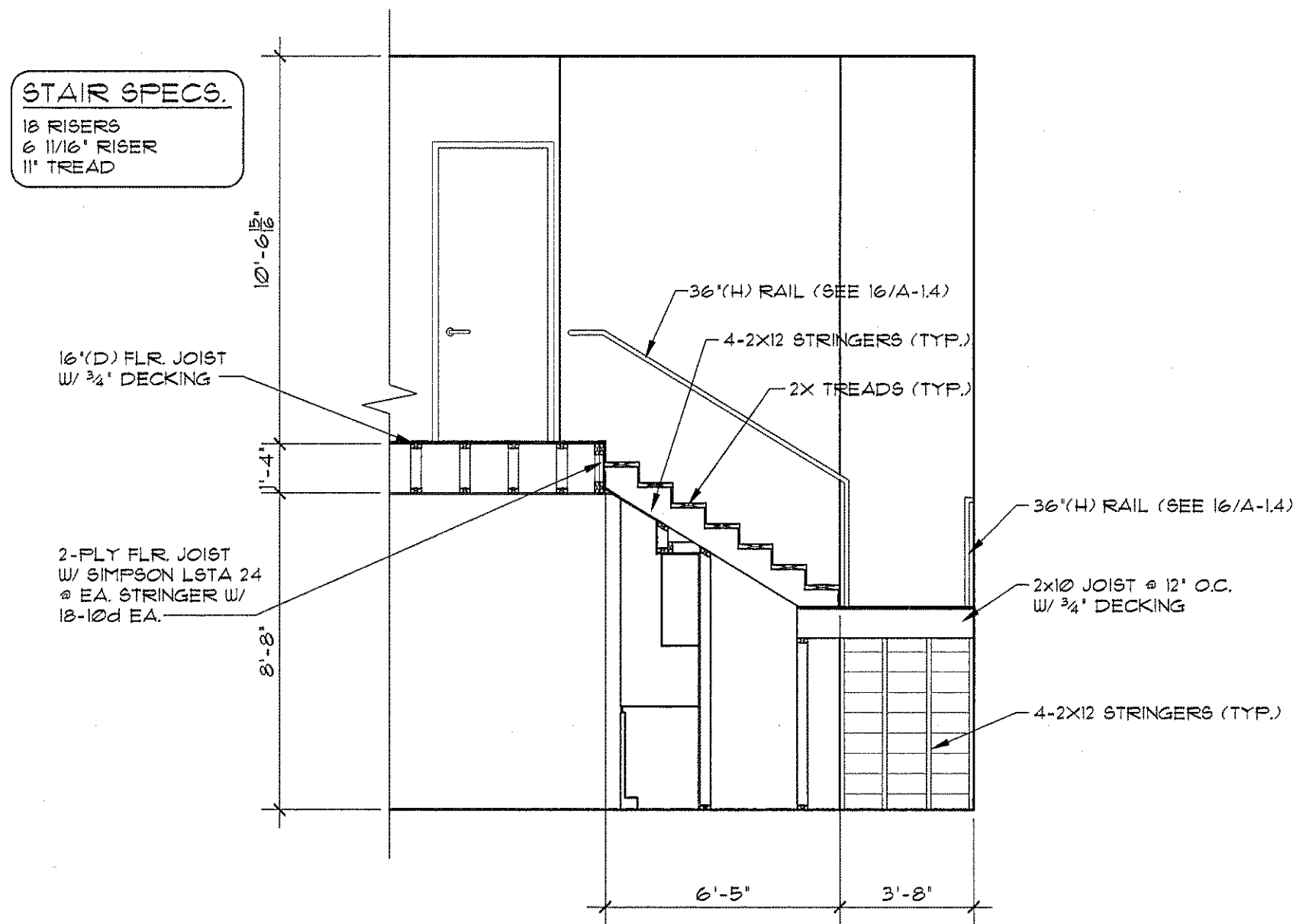
**HANDRAIL NOTES**

1. STAIRWAYS SHALL HAVE HANDRAILS ON EACH SIDE. HANDRAILS SHALL BE ADEQUATE IN STRENGTH AND ATTACHMENT IN ACCORDANCE WITH SECTION 1607.1. (FBC 2004 1009.11)
- A. HANDRAIL ASSEMBLIES AND GUARDS SHALL BE DESIGNED TO RESIST A LOAD OF 50 PLF APPLIED IN ANY DIRECTION AT THE TOP AND TO TRANSFER THIS LOAD THROUGH THE SUPPORTS TO THE STRUCTURE. (FBC 2004 1607.1.1)
- B. HANDRAIL ASSEMBLIES AND GUARDS SHALL BE ABLE TO RESIST A SINGLE CONCENTRATED LOAD OF 200 LBS. APPLIED IN ANY DIRECTION AT ANY POINT ALONG THE TOP AND HAVE ATTACHMENT DEVICES AND SUPPORTING STRUCTURE TO TRANSFER THIS LOADING TO APPROPRIATE STRUCTURAL ELEMENTS OF THE BUILDING. (FBC 2004 1607.1.1.1)
2. HANDRAIL HEIGHT, MEASURED ABOVE STAIR TREAD NOSINGS, OR FINISH SURFACE OF RAMP SLOPE SHALL BE UNIFORM, NOT LESS THAN 34" AND NOT MORE THAN 38". (FBC 2004 1009.11.1)
3. HANDRAILS SHALL RETURN TO A WALL, GUARD OR THE WALKING SURFACE OR SHALL BE CONTINUOUS TO THE HANDRAIL OF AN ADJACENT STAIR FLIGHT. WHERE HANDRAILS ARE NOT CONTINUOUS BETWEEN FLIGHTS, THE HANDRAILS SHALL EXTEND HORIZONTALLY AT LEAST 12" BEYOND THE TOP RISER AND CONTINUE TO SLOPE FOR THE DEPTH OF ONE TREAD BEYOND THE BOTTOM RISER. (FBC 2004 1009.11.5)



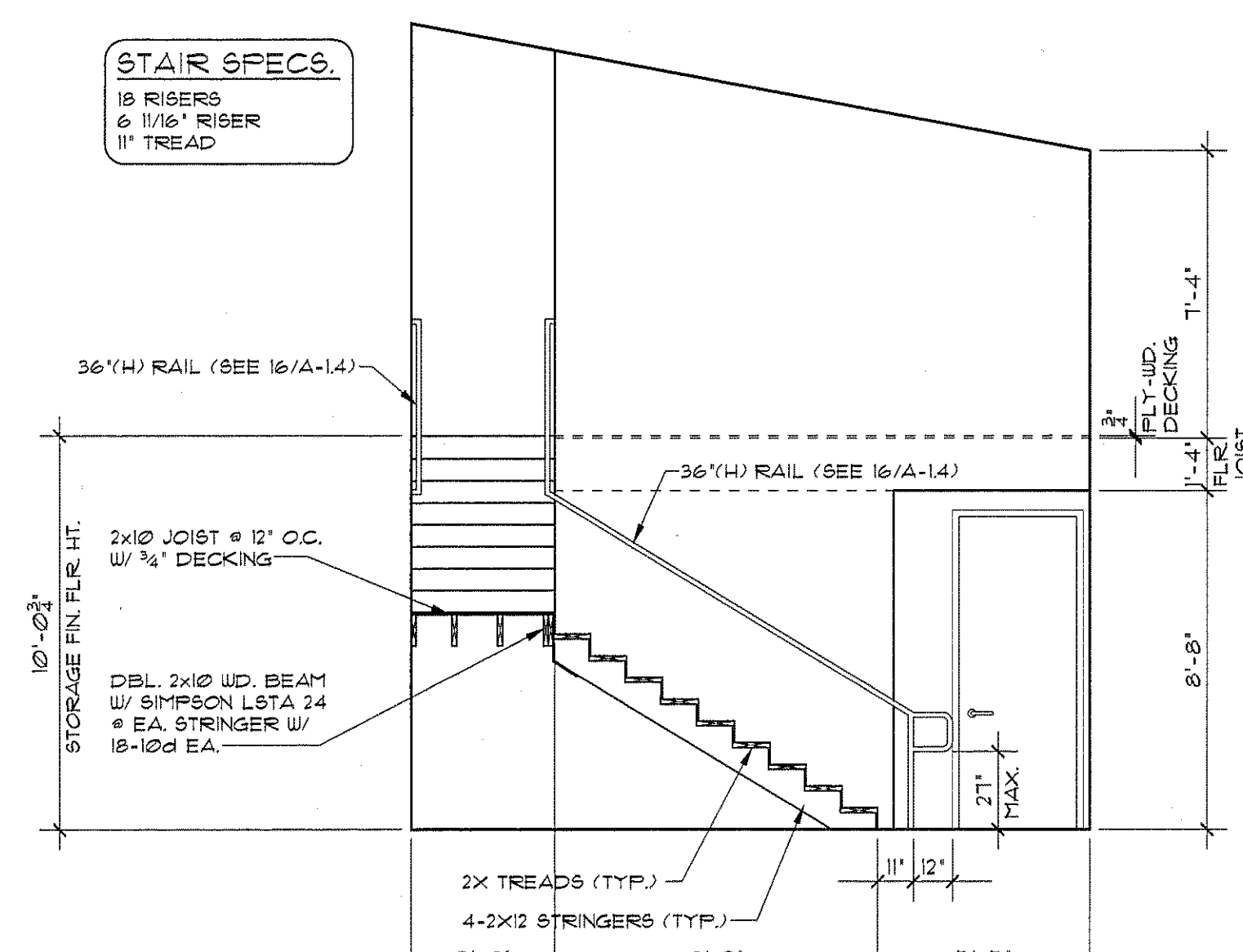
16 - TYP. HANDRAIL SCALE: 1/2" = 1'-0"

**STAIR SPECS.**  
18 RISERS  
6 1/16" RISER  
11" TREAD



15b - STAIRCASE DETAIL SCALE: 1/4" = 1'-0"

**STAIR SPECS.**  
18 RISERS  
6 1/16" RISER  
11" TREAD



15a - STAIRCASE DETAIL SCALE: 1/4" = 1'-0"

17 - STAIRCASE NOTES

DESIGNER HEREBY EXPRESSLY RESERVES HIS COPYRIGHT AND OTHER PROPERTY RIGHTS IN THESE PLANS. THESE PLANS AND DRAWINGS ARE NOT TO BE REPRODUCED, CHANGED OR COPIED IN ANY FORM OR MANNER WHATSOEVER, NOR ARE THEY TO BE ASSIGNED TO ANY PARTY WITHOUT FIRST OBTAINING THE EXPRESSED WRITTEN PERMISSION AND CONSENT OF GREAL CROSS ARCHITECT.

**GERALD CROSS**  
architect  
780 Deltona Blvd., Suite 105  
Deltona, Florida 32725  
386-574-2961  
FL REG. ARCHITECT NO. 5998

Ver. 10

**STAIRCASE and RAMP DETAILS**  
**Gateway Center for the Arts**  
DEBARY, FLORIDA

REVISIONS

PROJECT NO.: 08CA10a1.4  
DATE: 4 APR 2008  
DRAWN BY: JTR

SHEET NO.: **A-1.4**