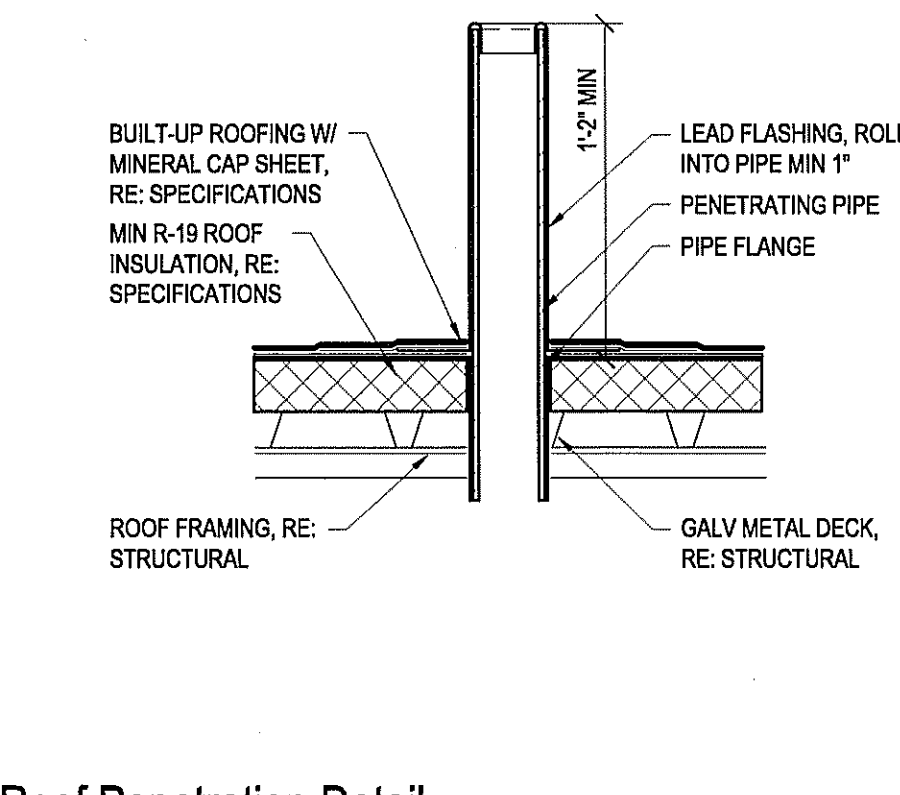
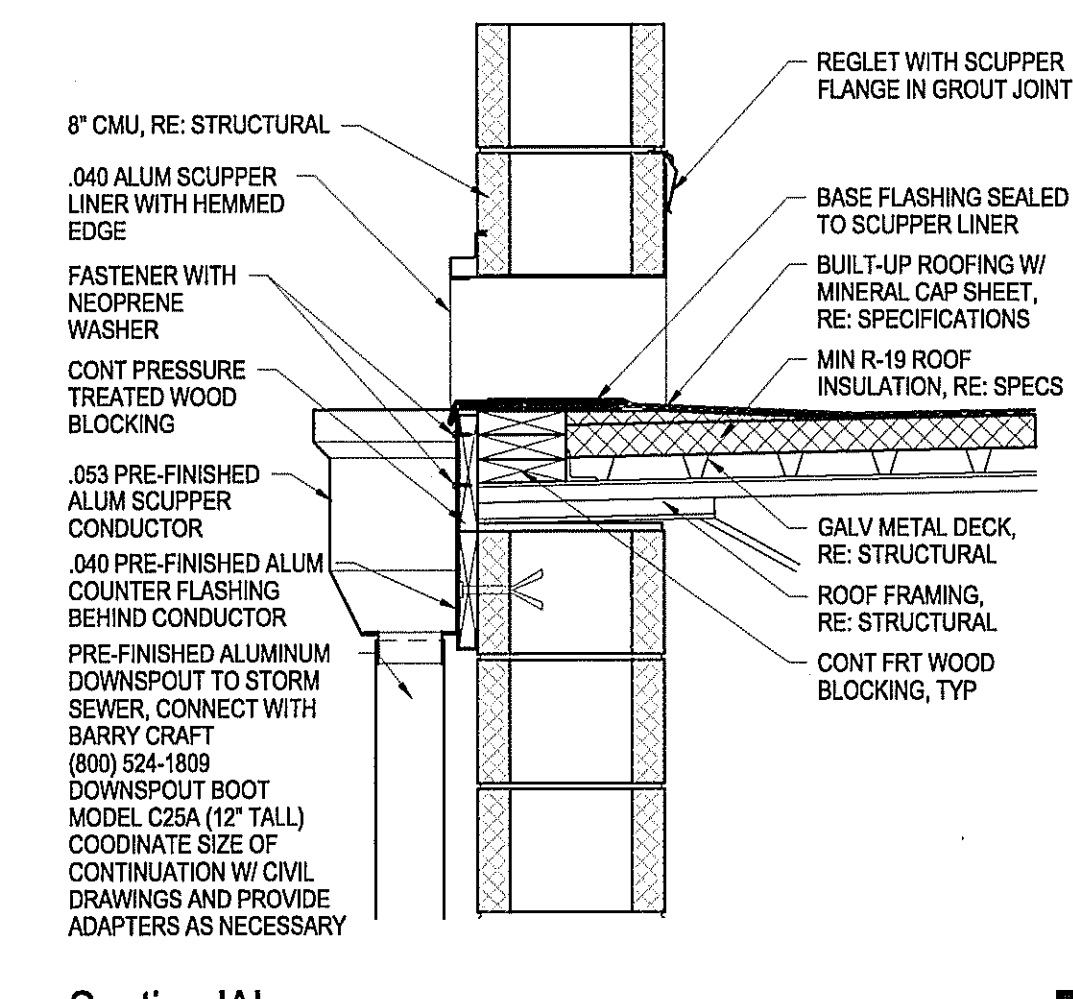
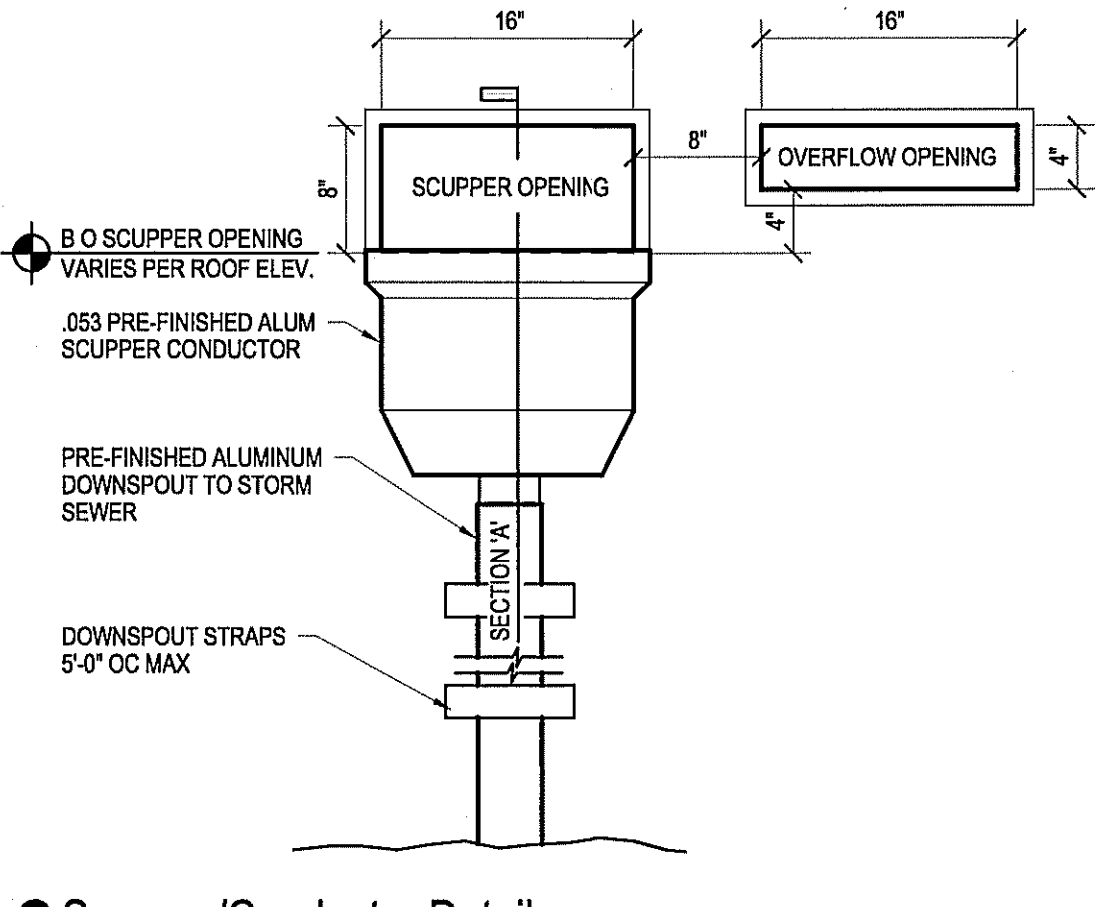
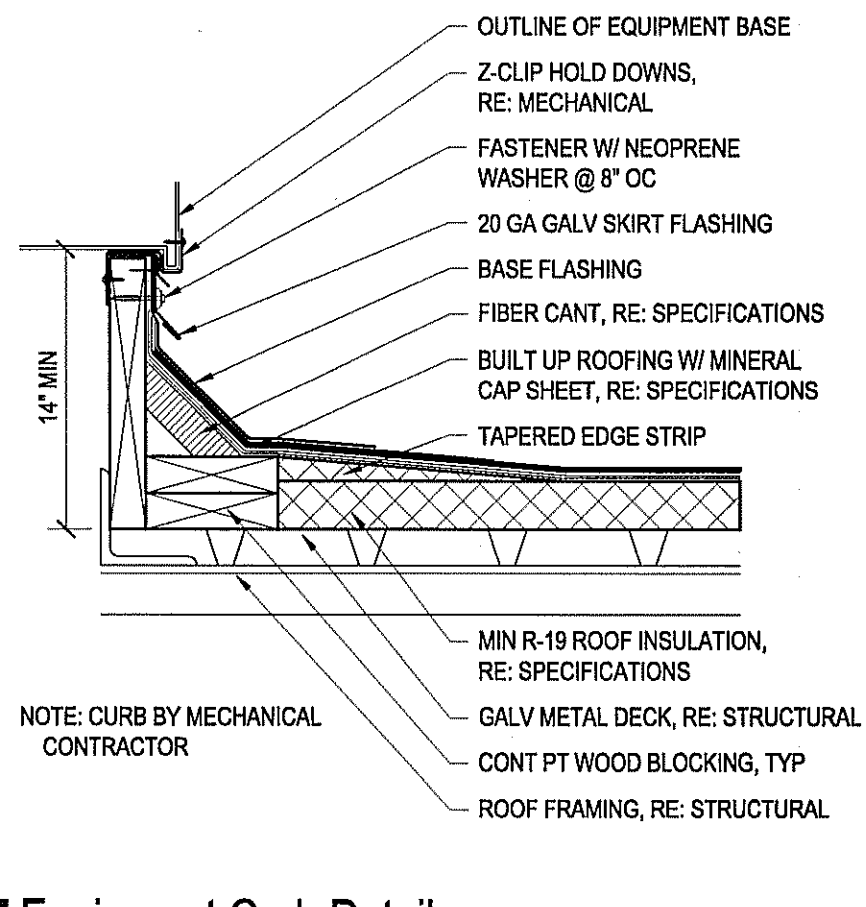
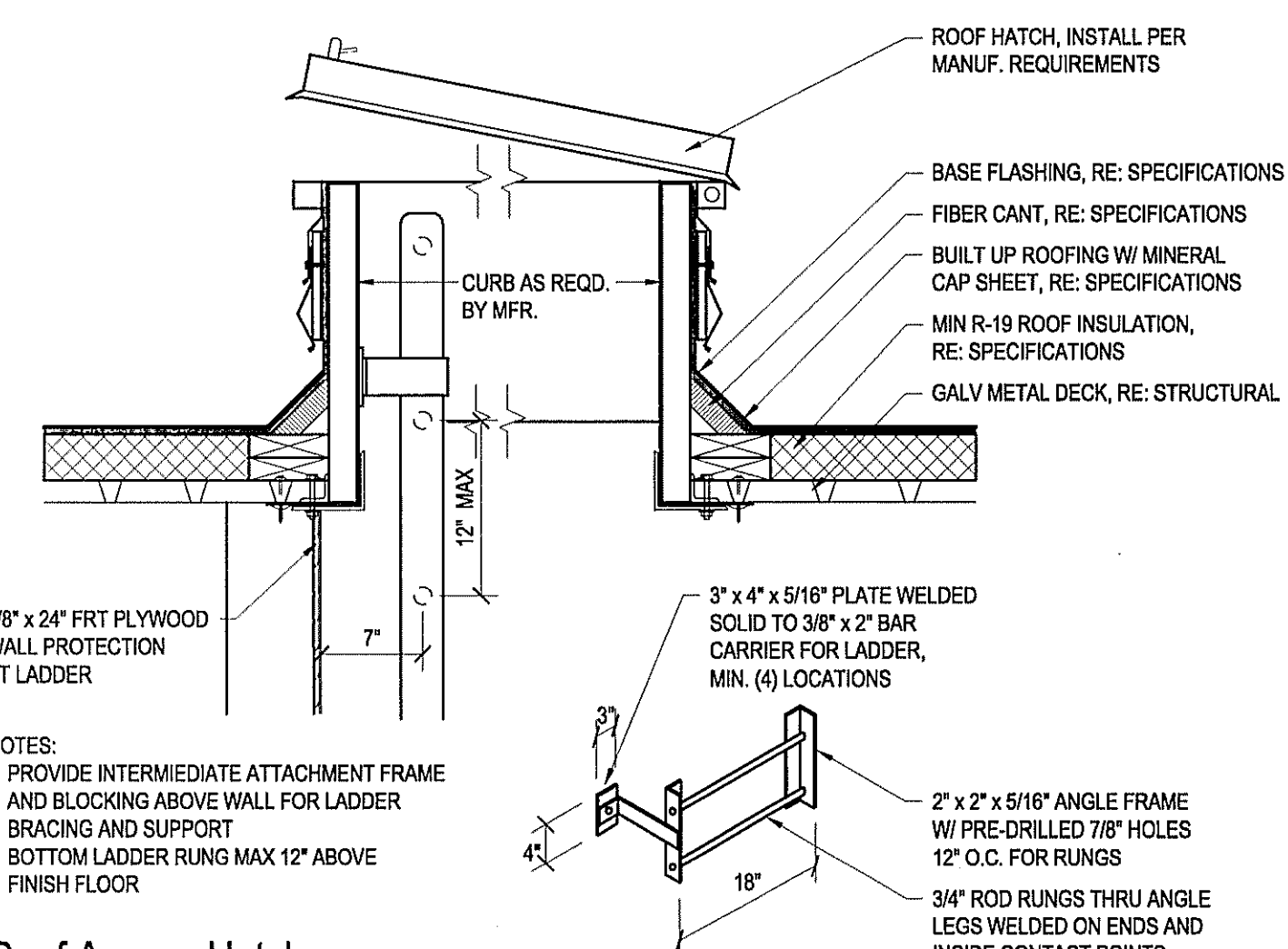
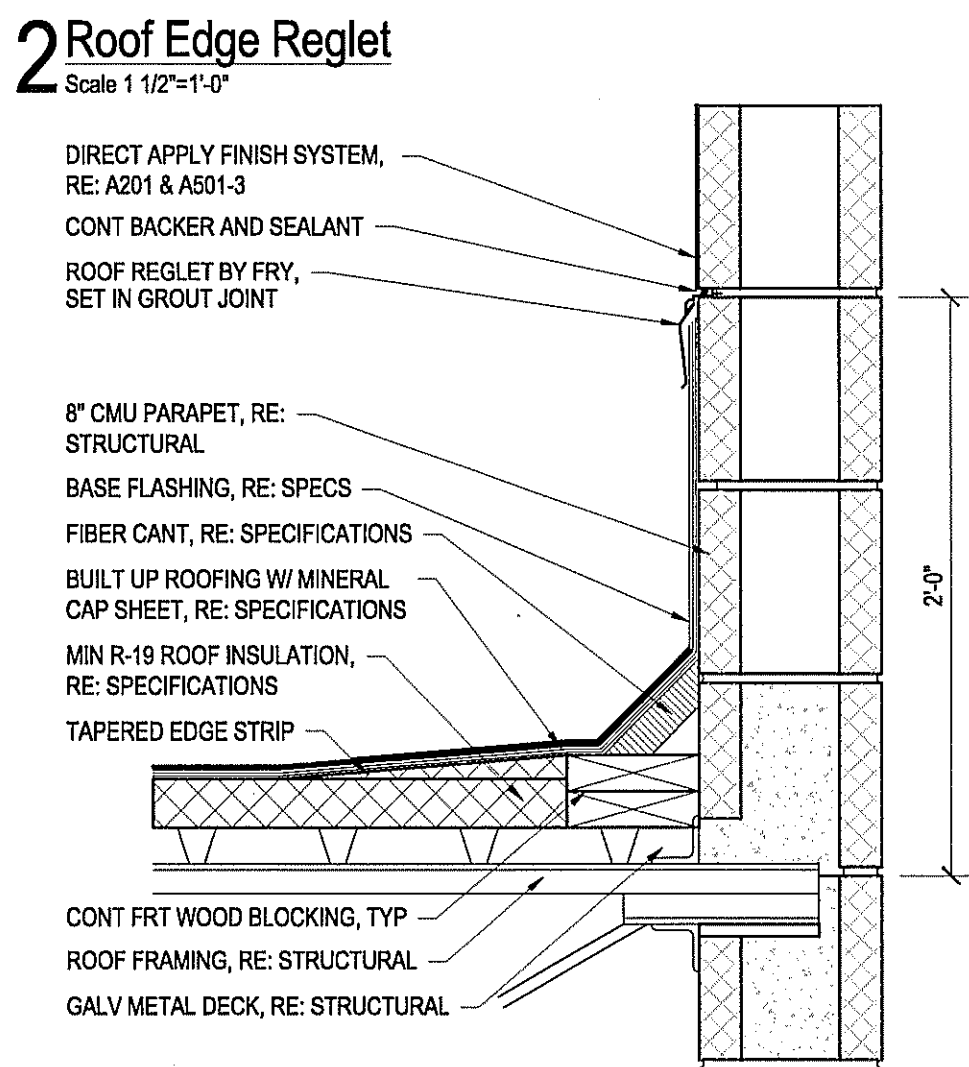
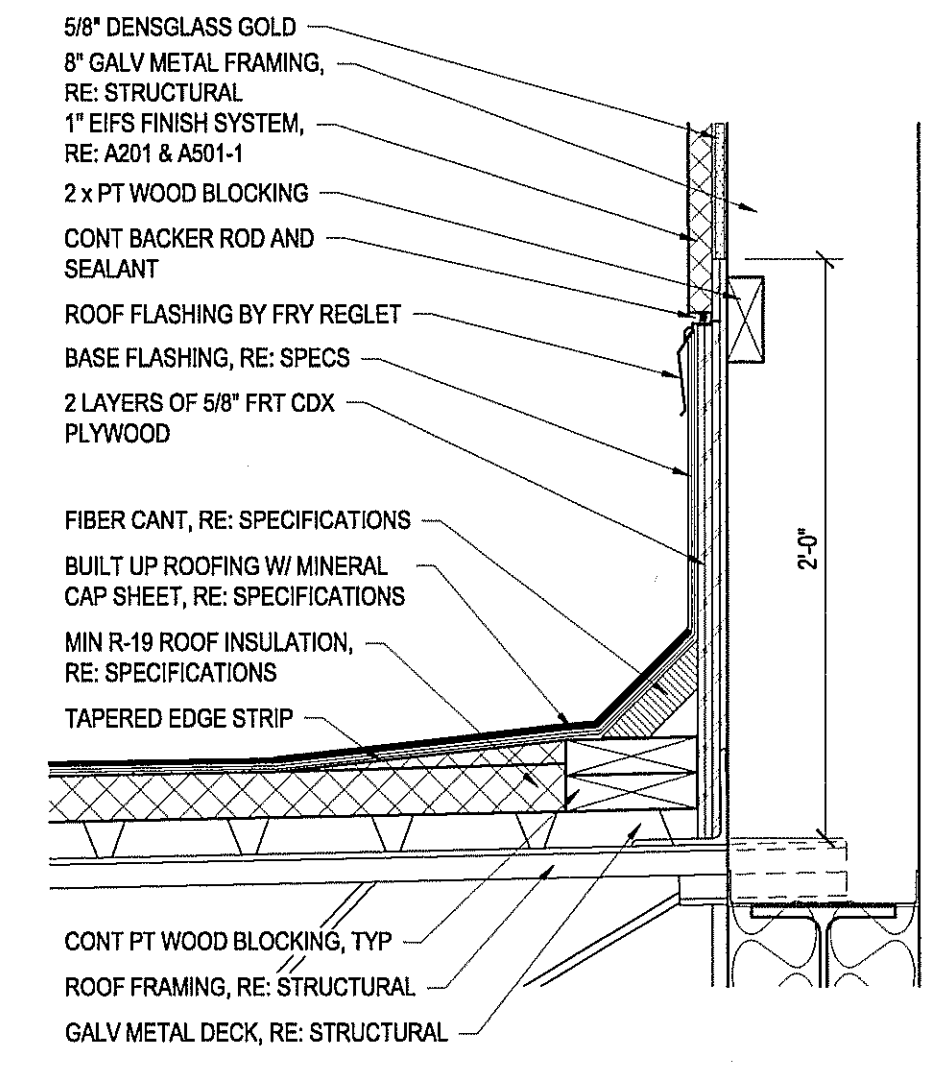


Roof Drainage Calculation	
FORMULA ASSUMES A 100 YEAR RAINFALL OF 6\"/>	
TOTAL ROOF AREA	8,360 SQ FT
LEADER DIAMETER	5\"/>
LEADER CAPACITY	6,920 SQ FT
LEADERS REQUIRED	2
SECONDARY DRAIN SIZE	4 x 16
SECONDARY CAPACITY	7,179 SQ FT
SECONDARY DRAINS REQD	2
50 = 19.6 SQ IN	
5'x5' = 25 SQ IN > 50	



COPYRIGHT © - All rights, plans, specifications, contract files, field data, notes and other documents are trademarks of entities prepared by Cuhaci & Peterson, (C&P) as holders of service marks the property of C&P. C&P shall retain all common law, C&P, and other rights in the design and other reserved rights, including the copyright therein. Any use or reproduction of this document without written permission from C&P is a violation of Federal copyright law.