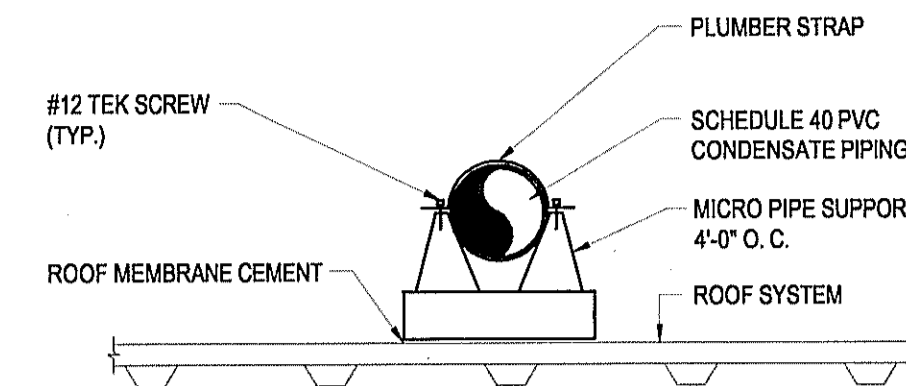
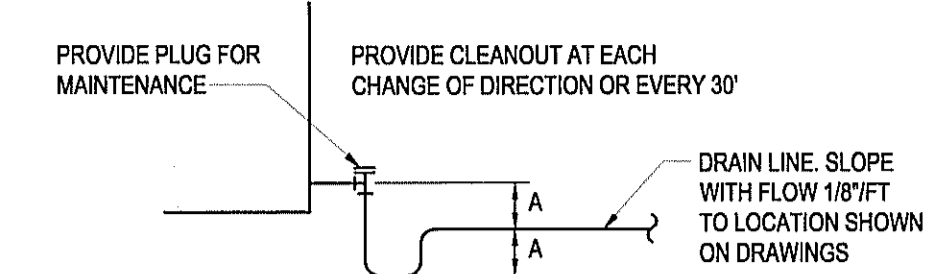


1 Condensation Termination Detail
Scale: None

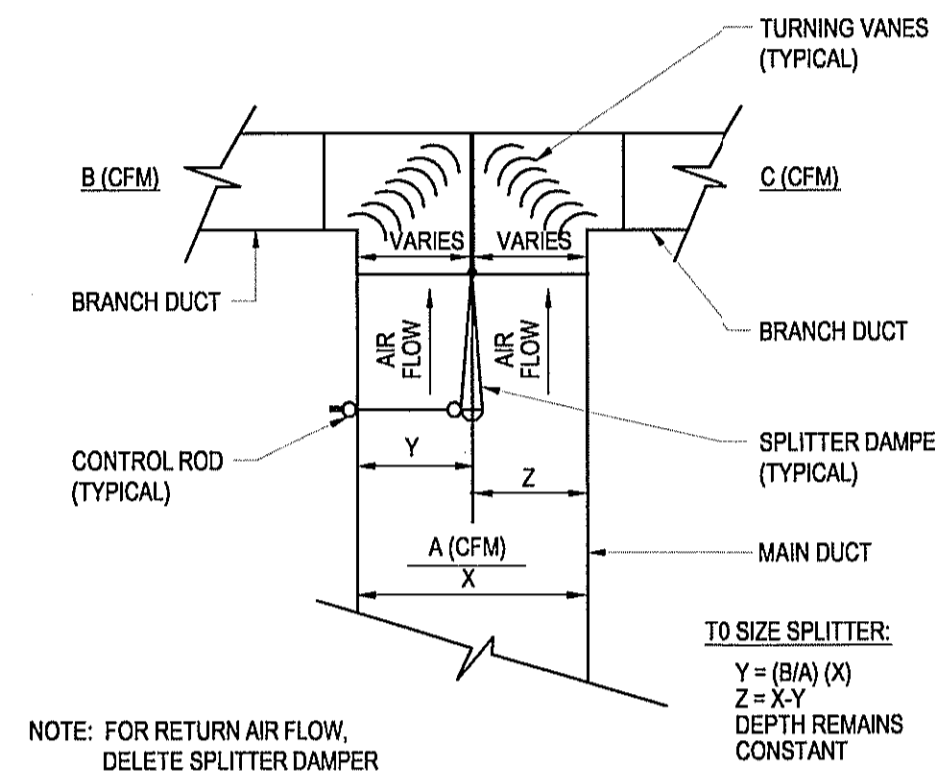


2 Condensate Pipe Support On Roof
Scale: None

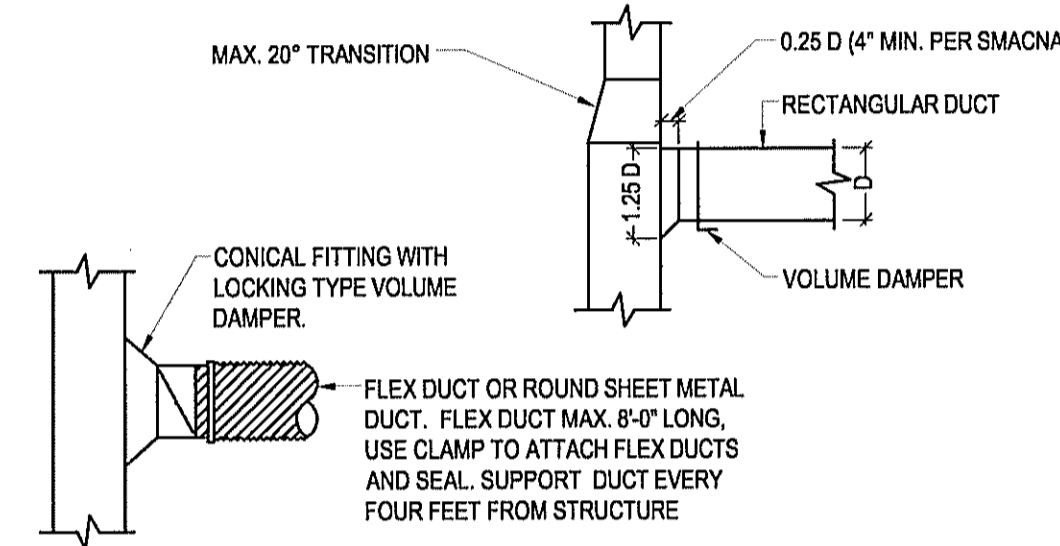


3 Condensate Drain Trap Detail
Scale: None

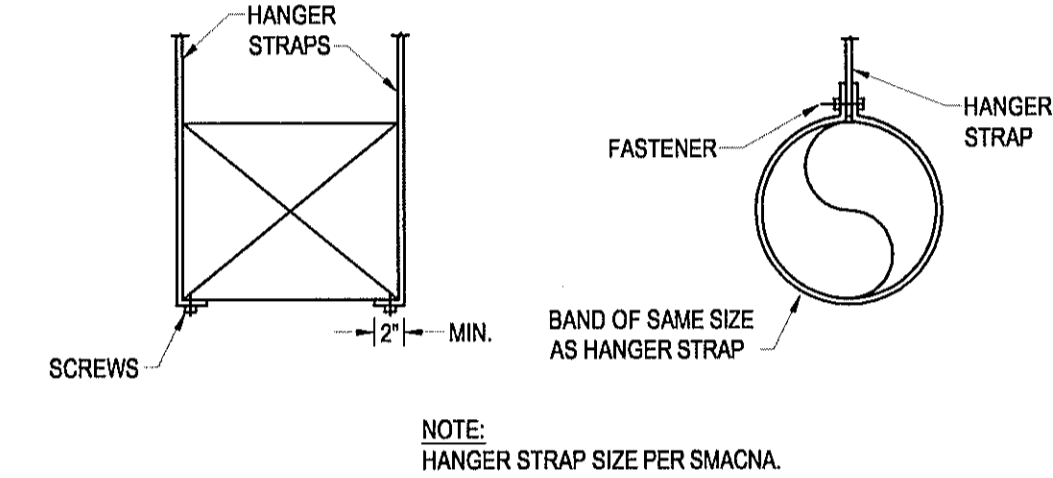
MAX. TONS	CONDENSATE PIPE SIZE	
	ABOVE SLAB	BELOW SLAB OR BELOW GRADE
2	3/4"	1-1/4"
5	1"	1-1/2"
30	1 1/4"	2"



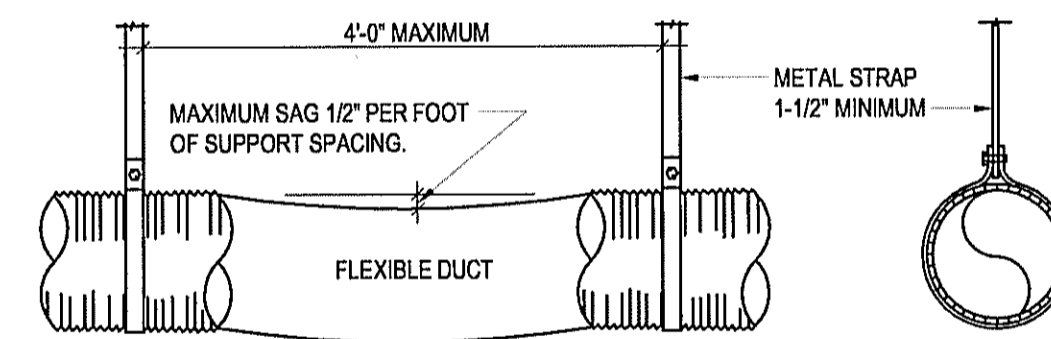
4 Splitter Detail
Scale: None



5 Branch Duct Detail
Scale: None

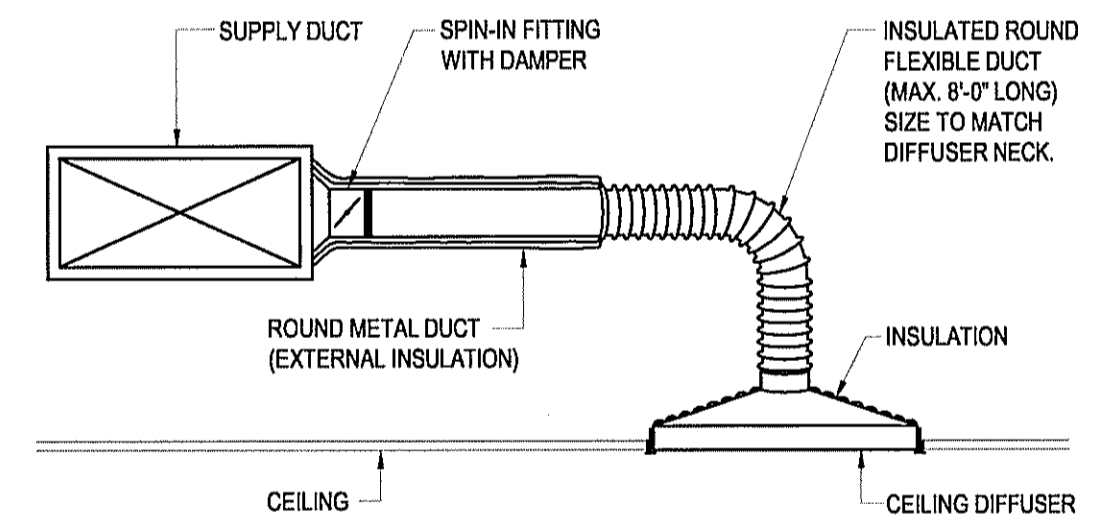


6 Rectangular/Round Duct Hanger Detail
Scale: None

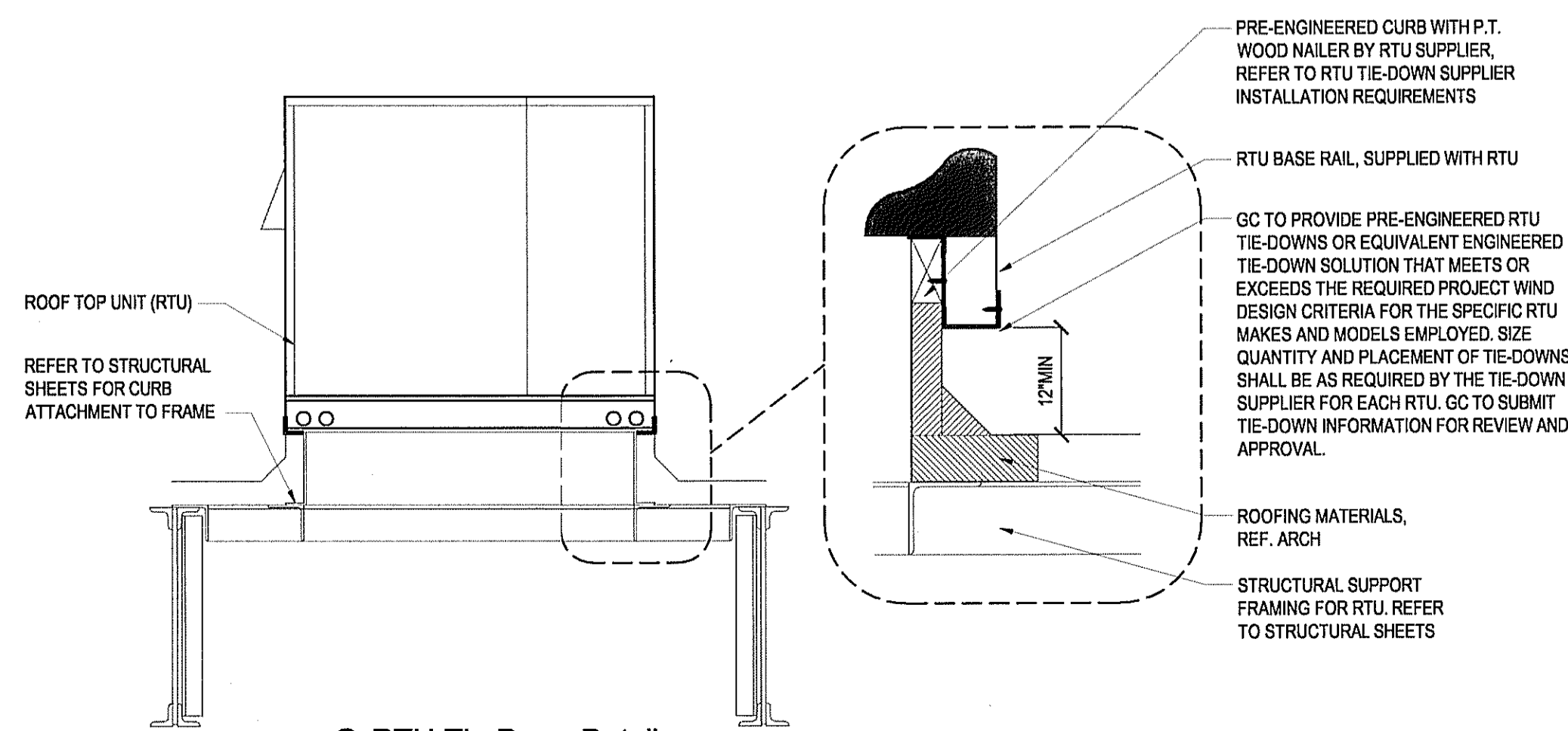


- NOTES:
- DUCT SHOULD EXTEND STRAIGHT FOR SEVERAL INCHES FROM A CONNECTION BEFORE BENDING.
 - SUPPORT SYSTEM MUST NOT DAMAGE DUCT OR CAUSE OUT OF ROUND SHAPE.

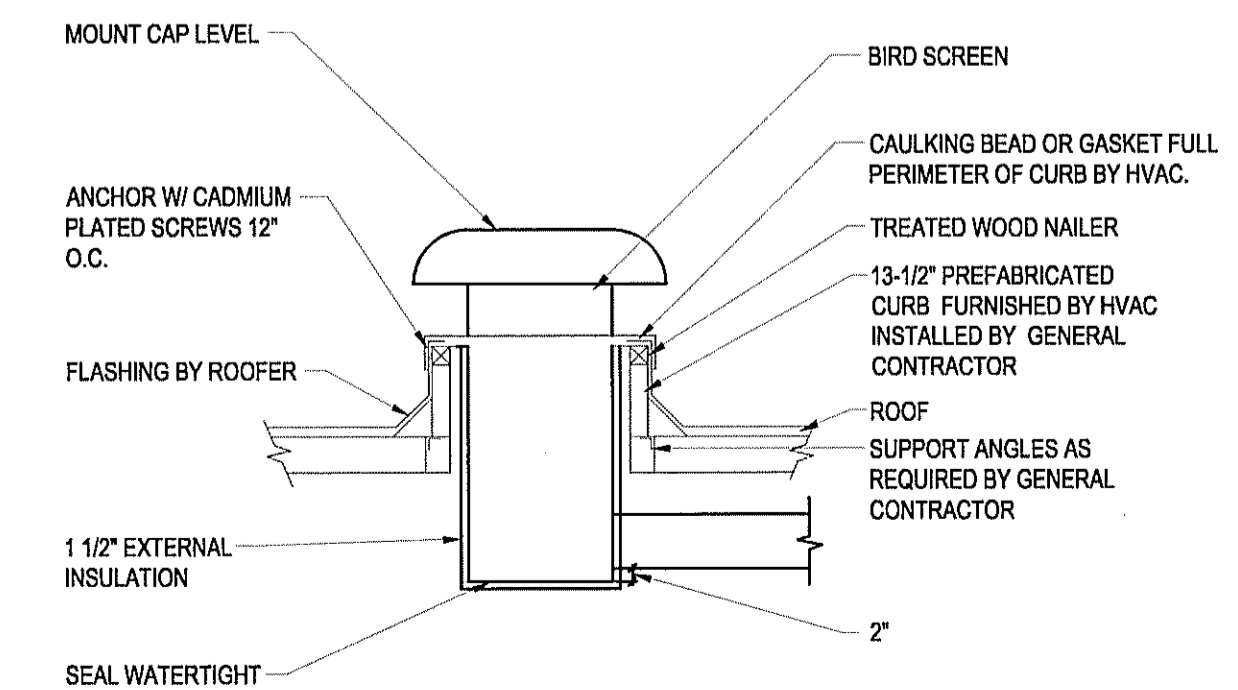
7 Flex Duct Support Detail
Scale: None



8 Ceiling Diffuser Runout Detail
Scale: None



9 RTU Tie Down Detail
Scale: None



10 Gravity Roof Vent Detail
Scale: None

Cuhaci & Peterson
Architects Engineers Planners
Florida Corporate Certificate #AA 000526
1925 Prospect Avenue, Orlando, FL 32814
Ph: 407.661.9100 - Fax: 407.661.9101
www.c-p.com

Weingarten Realty Investors, Inc.
2720 E. Colonial Drive
Orlando, FL 32803

Outparcel 5 @ Palm Coast Landing
N.E.C. Sk 100 and Belle Terre Parkway
Palm Coast, Florida

PROJECT NO.	208050
DATE	06/26/09
DRAWN	TMB
CHECKED	JFK
RELEASE	

M501

PROJECT NAME: Weingarten Realty Investors, Inc. Outparcel 5 @ Palm Coast Landing
 CLIENT NAME: Weingarten Realty Investors, Inc.
 SHEET TITLE: Mechanical Details
 SHEET NO.: M501
 DRAWN BY: TMB
 CHECKED BY: JFK
 DATE: 06/26/09
 PROJECT NO.: 208050
 COPYRIGHT © All reports, plans, specifications, contract files, etc. shall, notes and other documents are instruments of service prepared by Cuhaci & Peterson, (C.P.) in full and complete accordance with the terms and conditions of the contract. No part of this document may be reproduced or transmitted in any form or by any means, electronic, mechanical, photocopying, recording, or by any information storage and retrieval system, without the prior written permission of Cuhaci & Peterson.