

PANEL MANUFACTURER: SQUARE D		3 PHASE		NAME: 103																	
MAIN BREAKER (AMPS):		2 WIRE		PROJECT NAME: OUTPARCEL 6 @ PALM COAST LANDING																	
K.A.I.C.: 22		120/208 VOLTS		PROJECT NUMBER: 20850																	
MOUNTED SURFACE:		FED FROM: SERVICE DISCONNECT		K.A.I.C.: 22																	
NO. / CT NO.	IDENTIFICATION	WIRE/COND	LOAD/PHASE (KVA)			CIRCUIT BREAKER	LOAD/PHASE (KVA)			WIRE/COND	IDENTIFICATION	CT NO.									
			A	B	C		A	B	C												
1	SIGNAGE	2#12, 1#12G, 1/2" C	1.08			TRIP	1	1	1.44	R	2#12, 1#12G, 1/2" C	RECEPTS	2								
3	LIGHTING	2#12, 1#12G, 1/2" C	1.43			TRIP	1	1	0.36	R	2#12, 1#12G, 1/2" C	RR & EWC RECEPTS	4								
5	SPACE	2#12, 1#12G, 1/2" C				TRIP	1	1	0.72	R	2#12, 1#12G, 1/2" C	SHOW WINDOW	6								
7	SPACE					TRIP	1	1		R	2#12, 1#12G, 1/2" C	SPACE	8								
9	SPACE					TRIP	1	1		R	2#12, 1#12G, 1/2" C	SPACE	10								
11	SPACE					TRIP	1	1		R	2#12, 1#12G, 1/2" C	SPACE	12								
13	SPACE					TRIP	1	1		R	2#12, 1#12G, 1/2" C	SPACE	14								
15	SPACE					TRIP	1	1		R	2#12, 1#12G, 1/2" C	SPACE	16								
17	SPACE					TRIP	1	1		R	2#12, 1#12G, 1/2" C	SPACE	18								
19	SPACE					TRIP	1	1		R	2#12, 1#12G, 1/2" C	SPACE	20								
21	SPACE					TRIP	1	1		R	2#12, 1#12G, 1/2" C	SPACE	22								
23	SPACE					TRIP	1	1		R	2#12, 1#12G, 1/2" C	SPACE	24								
25	SPACE					TRIP	1	1		R	2#12, 1#12G, 1/2" C	SPACE	26								
27	SPACE					TRIP	1	1		R	2#12, 1#12G, 1/2" C	SPACE	28								
29	SPACE					TRIP	1	1		R	2#12, 1#12G, 1/2" C	SPACE	30								
31	SPACE					TRIP	1	1		R	2#12, 1#12G, 1/2" C	SPACE	32								
33	SPACE					TRIP	1	1		R	2#12, 1#12G, 1/2" C	SPACE	34								
35	SPACE					TRIP	1	1		R	2#12, 1#12G, 1/2" C	SPACE	36								
37	SPACE					TRIP	1	1		R	2#12, 1#12G, 1/2" C	SPACE	38								
39	SPACE					TRIP	1	1		R	2#12, 1#12G, 1/2" C	SPACE	40								
41	SPACE					TRIP	1	1		R	2#12, 1#12G, 1/2" C	SPACE	42								
TOTAL KVA PHASE A			8.72	LARGEST PER PHASE CONNECTED AMPS:			38.23			TOTAL KVA PHASE B			7.99	LARGEST PER PHASE DEMAND AMPS:			42.48				
TOTAL KVA PHASE C			6.92	TOTAL KVA PHASE A			6.72			TOTAL KVA PHASE B			7.99			TOTAL KVA PHASE C			6.92		
LARGEST PER PHASE DEMAND AMPS:			42.48			LARGEST PER PHASE CONNECTED AMPS:			38.23			LARGEST PER PHASE DEMAND AMPS:			42.48						

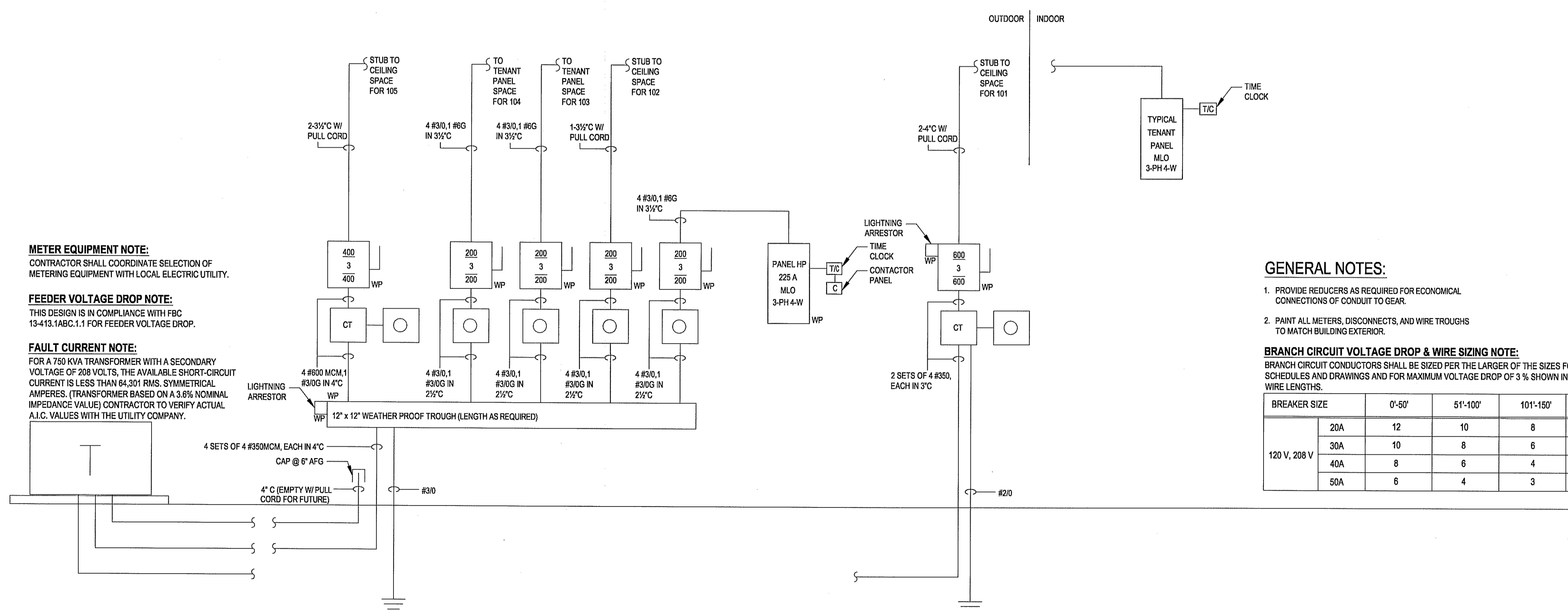
PANEL MANUFACTURER: SQUARE D		3 PHASE		NAME: 104																	
MAIN BREAKER (AMPS):		2 WIRE		PROJECT NAME: OUTPARCEL 6 @ PALM COAST LANDING																	
K.A.I.C.: 22		120/208 VOLTS		PROJECT NUMBER: 20850																	
MOUNTED SURFACE:		FED FROM: SERVICE DISCONNECT		K.A.I.C.: 22																	
NO. / CT NO.	IDENTIFICATION	WIRE/COND	LOAD/PHASE (KVA)			CIRCUIT BREAKER	LOAD/PHASE (KVA)			WIRE/COND	IDENTIFICATION	CT NO.									
			A	B	C		A	B	C												
1	SIGNAGE	2#12, 1#12G, 1/2" C	1.08			TRIP	1	1	1.44	R	2#12, 1#12G, 1/2" C	RECEPTS	2								
3	LIGHTING	2#12, 1#12G, 1/2" C	1.43			TRIP	1	1	0.36	R	2#12, 1#12G, 1/2" C	RR & EWC RECEPTS	4								
5	SPACE	2#12, 1#12G, 1/2" C				TRIP	1	1	0.72	R	2#12, 1#12G, 1/2" C	SHOW WINDOW	6								
7	SPACE					TRIP	1	1		R	2#12, 1#12G, 1/2" C	SPACE	8								
9	SPACE					TRIP	1	1		R	2#12, 1#12G, 1/2" C	SPACE	10								
11	SPACE					TRIP	1	1		R	2#12, 1#12G, 1/2" C	SPACE	12								
13	SPACE					TRIP	1	1		R	2#12, 1#12G, 1/2" C	SPACE	14								
15	SPACE					TRIP	1	1		R	2#12, 1#12G, 1/2" C	SPACE	16								
17	SPACE					TRIP	1	1		R	2#12, 1#12G, 1/2" C	SPACE	18								
19	SPACE					TRIP	1	1		R	2#12, 1#12G, 1/2" C	SPACE	20								
21	SPACE					TRIP	1	1		R	2#12, 1#12G, 1/2" C	SPACE	22								
23	SPACE					TRIP	1	1		R	2#12, 1#12G, 1/2" C	SPACE	24								
25	SPACE					TRIP	1	1		R	2#12, 1#12G, 1/2" C	SPACE	26								
27	SPACE					TRIP	1	1		R	2#12, 1#12G, 1/2" C	SPACE	28								
29	SPACE					TRIP	1	1		R	2#12, 1#12G, 1/2" C	SPACE	30								
31	SPACE					TRIP	1	1		R	2#12, 1#12G, 1/2" C	SPACE	32								
33	SPACE					TRIP	1	1		R	2#12, 1#12G, 1/2" C	SPACE	34								
35	SPACE					TRIP	1	1		R	2#12, 1#12G, 1/2" C	SPACE	36								
37	SPACE					TRIP	1	1		R	2#12, 1#12G, 1/2" C	SPACE	38								
39	SPACE					TRIP	1	1		R	2#12, 1#12G, 1/2" C	SPACE	40								
41	SPACE					TRIP	1	1		R	2#12, 1#12G, 1/2" C	SPACE	42								
TOTAL KVA PHASE A			8.72	LARGEST PER PHASE CONNECTED AMPS:			38.23			TOTAL KVA PHASE B			7.99			TOTAL KVA PHASE C			6.92		
LARGEST PER PHASE DEMAND AMPS:			42.48			LARGEST PER PHASE CONNECTED AMPS:			38.23			LARGEST PER PHASE DEMAND AMPS:			42.48						

PANEL MANUFACTURER: SQUARE D		3 PHASE		NAME: 101																	
MAIN BREAKER (AMPS):		2 WIRE		PROJECT NAME: OUTPARCEL 6 @ PALM COAST LANDING																	
K.A.I.C.: 22		120/208 VOLTS		PROJECT NUMBER: 20850																	
MOUNTED SURFACE:		FED FROM: SERVICE DISCONNECT		K.A.I.C.: 22																	
NO. / CT NO.	IDENTIFICATION	WIRE/COND	LOAD/PHASE (KVA)			CIRCUIT BREAKER	LOAD/PHASE (KVA)			WIRE/COND	IDENTIFICATION	CT NO.									
			A	B	C		A	B	C												
1	FACP	2#12, 1#12G, 3/4" C	0.60			TRIP	1	1	0.18	R	2#12, 1#12G, 1/2" C	QUAD RECEPT	2								
3	LTG. FACP ROOM	2#12, 1#12G, 3/4" C	0.12			TRIP	1	1	1.62	R	2#12, 1#12G, 1/2" C	SPACE	4								
5	RECEPT. FACP ROOM	2#12, 1#12G, 3/4" C	0.18			TRIP	1	1	1.62	R	2#12, 1#12G, 1/2" C	SITE LIGHTING	4								
7	SPACE					TRIP	1	1		R	2#12, 1#12G, 1/2" C	SPACE	6								
9	SPACE					TRIP	1	1	1.08	R	2#12, 1#12G, 1/2" C	SITE LIGHTING	8								
11	SPACE					TRIP	1	1	1.08	R	2#12, 1#12G, 1/2" C	SPACE	10								
13	SPACE					TRIP	1	1		R	2#12, 1#12G, 1/2" C	SPACE	12								
15	SPACE					TRIP	1	1		R	2#12, 1#12G, 1/2" C	SPACE	14								
17	SPACE					TRIP	1	1		R	2#12, 1#12G, 1/2" C	SPACE	16								
19	SPACE					TRIP	1	1		R	2#12, 1#12G, 1/2" C	SPACE	18								
21	SPACE					TRIP	1	1		R	2#12, 1#12G, 1/2" C	SPACE	20								
23	SPACE					TRIP	1	1		R	2#12, 1#12G, 1/2" C	SPACE	22								
25	SPACE					TRIP	1	1		R	2#12, 1#12G, 1/2" C	SPACE	24								
27	SPACE					TRIP	1	1		R	2#12, 1#12G, 1/2" C	SPACE	26								
29	SPACE					TRIP	1	1		R	2#12, 1#12G, 1/2" C	SPACE	28								
31	SPACE					TRIP	1	1		R	2#12, 1#12G, 1/2" C	SPACE	30								
33	SPACE					TRIP	1	1		R	2#12, 1#12G, 1/2" C	SPACE	32								
35	SPACE					TRIP	1	1		R	2#12, 1#12G, 1/2" C	SPACE	34								
37	SPACE					TRIP	1	1		R	2#12, 1#12G, 1/2" C	SPACE	36								
39	SPACE					TRIP	1	1		R	2#12, 1#12G, 1/2" C	SPACE	38								
41	SPACE					TRIP	1	1		R	2#12, 1#12G, 1/2" C	SPACE	40								
TOTAL KVA PHASE A			1.86	LARGEST PER PHASE CONNECTED AMPS:			19.48			TOTAL KVA PHASE B			2.92			TOTAL KVA PHASE C			1.80		
LARGEST PER PHASE DEMAND AMPS:			22.73			LARGEST PER PHASE CONNECTED AMPS:			19.48			LARGEST PER PHASE DEMAND AMPS:			22.73						

DEMAND FACTOR	DEMAND LOAD (KVA)	GENERAL LIGHTING LOAD	VA/SF
0.25	1.25	3.1375	
0.35	1.00	2.52	
0.10	1.00	0.36	
0.00	1.00	0.00	
0.00	1.00	0.00	
0.00	1.25	0.00	
0.00	1.00	0.00	

DEMAND FACTOR	DEMAND LOAD (KVA)	GENERAL LIGHTING LOAD	VA/SF
0.25	1.25	3.1375	
0.35	1.00	2.52	
0.10	1.00	0.36	
0.00	1.00	0.00	
0.00	1.00	0.00	
0.00	1.25	0.00	
0.00	1.00	0.00	

DEMAND FACTOR	DEMAND LOAD (KVA)	GENERAL LIGHTING LOAD	VA/SF
0.25	1.25	6.9	
0.35	1.00	0.36	
0.00	1.00	0.00	
0.00	1.00	0.00	
0.00	1.25	0.00	
0.00	1.00	0.00	



**GENERAL NOTES:**

- PROVIDE REDUCERS AS REQUIRED FOR ECONOMICAL CONNECTIONS OF CONDUIT TO GEAR.
- PAINT ALL METERS, DISCONNECTS, AND WIRE TROUGHS TO MATCH BUILDING EXTERIOR.

**BRANCH CIRCUIT VOLTAGE DROP & WIRE SIZING NOTE:**  
BRANCH CIRCUIT CONDUCTORS SHALL BE SIZED PER THE LARGER OF THE SIZES FOR AMPACITY SHOWN IN THE PANEL SCHEDULES AND DRAWINGS AND FOR MAXIMUM VOLTAGE DROP OF 3% SHOWN IN THIS TABLE. FIELD VERIFY ACTUAL WIRE LENGTHS.

BREAKER SIZE	0'-50'					51'-100'					101'-150'					151'-200'					201'-250'				
	20A	30A	40A	50A	60A	20A	30A	40A	50A	60A	20A	30A	40A	50A	60A	20A	30A	40A	50A	60A	20A	30A	40A	50A	60A
120 V, 208 V	12	10	8	6	4	10	8	6	4	3	8	6	4	3	2	6	4	3	2	1	4	3	2	1	1

**Cuhaci & Peterson**  
Architects  
Engineers  
Planners

1925 Progress Avenue, Orlando, FL 32814  
Ph: 407.661.9100 - Fax: 407.661.9101  
www.cpa.com

---

**CLIENT NAME**  
Weingarten Realty Investors, Inc.  
2720 E. Colonial Drive  
Orlando, FL 32803

**PROJECT NAME**  
Outparcel 5 @ Palm Coast Landing  
N.E.C. SR 100 and Belle Terre Parkway  
Palm Coast, Florida

---

**PROJECT NO.**  
20850

**DATE**  
08/28/08

**DRAWN**  
LF

**CHECKED**  
EJA

**SHEET TITLE**  
Electrical - Power Riser and Panel Schedules

**EUGENE DE ALBA**  
PLS 64611

E301