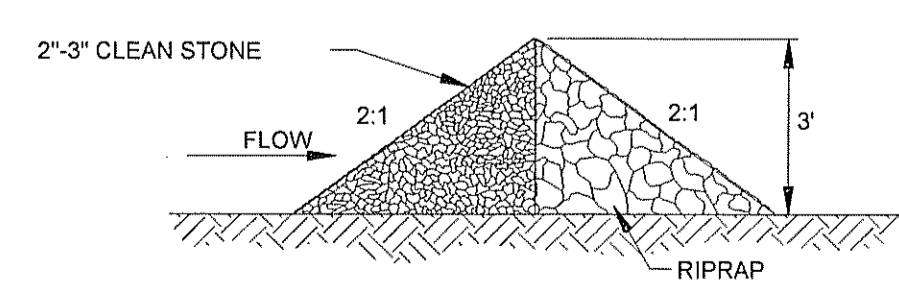
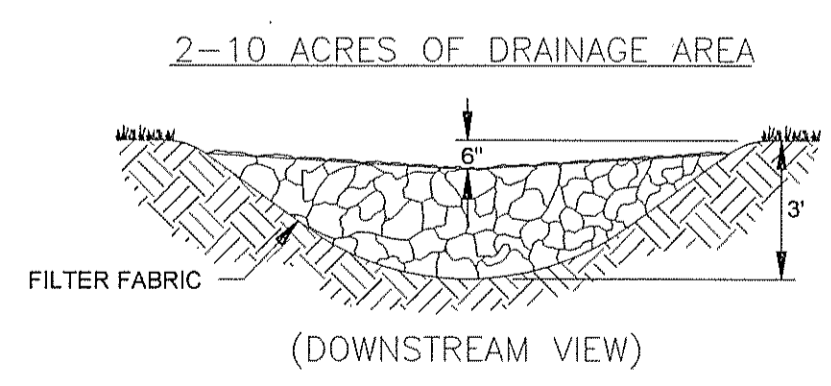
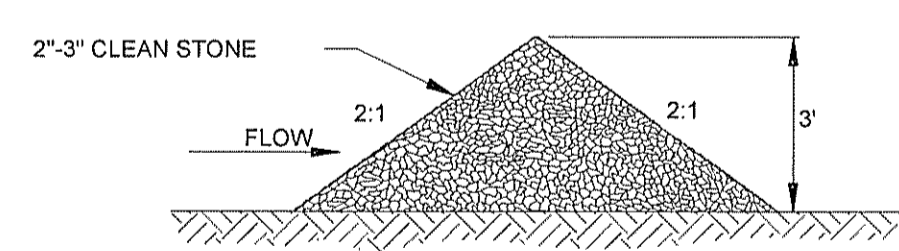
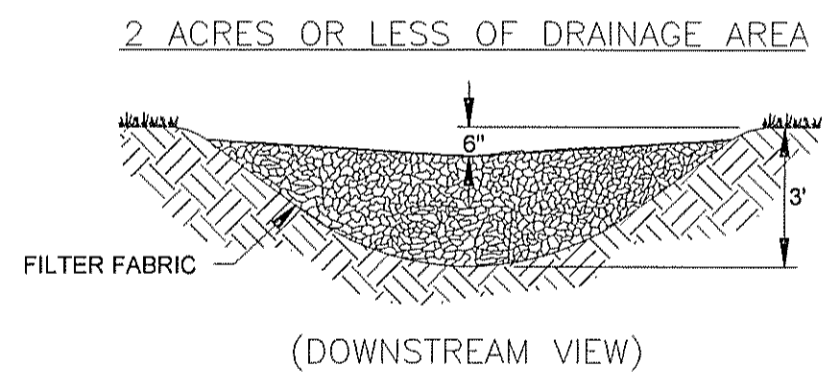
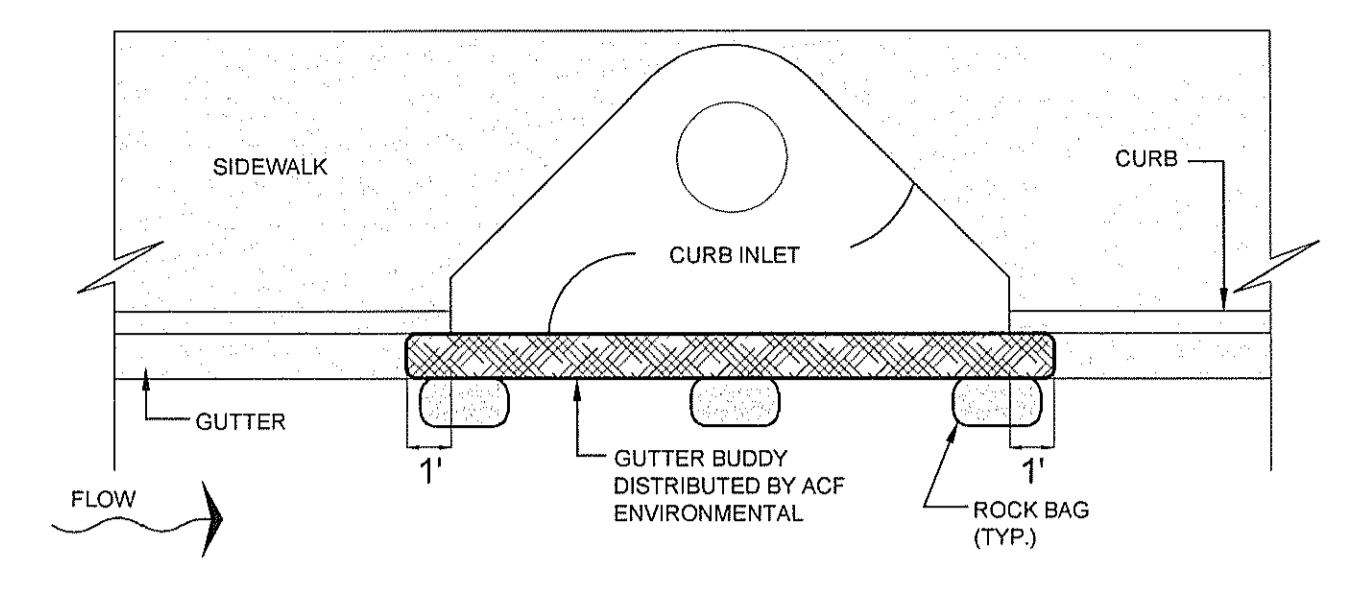


SEDIMENTATION/SILT FENCE WITH WIRE SUPPORT
N.T.S.



ROCK CHECK DAM
N.T.S.



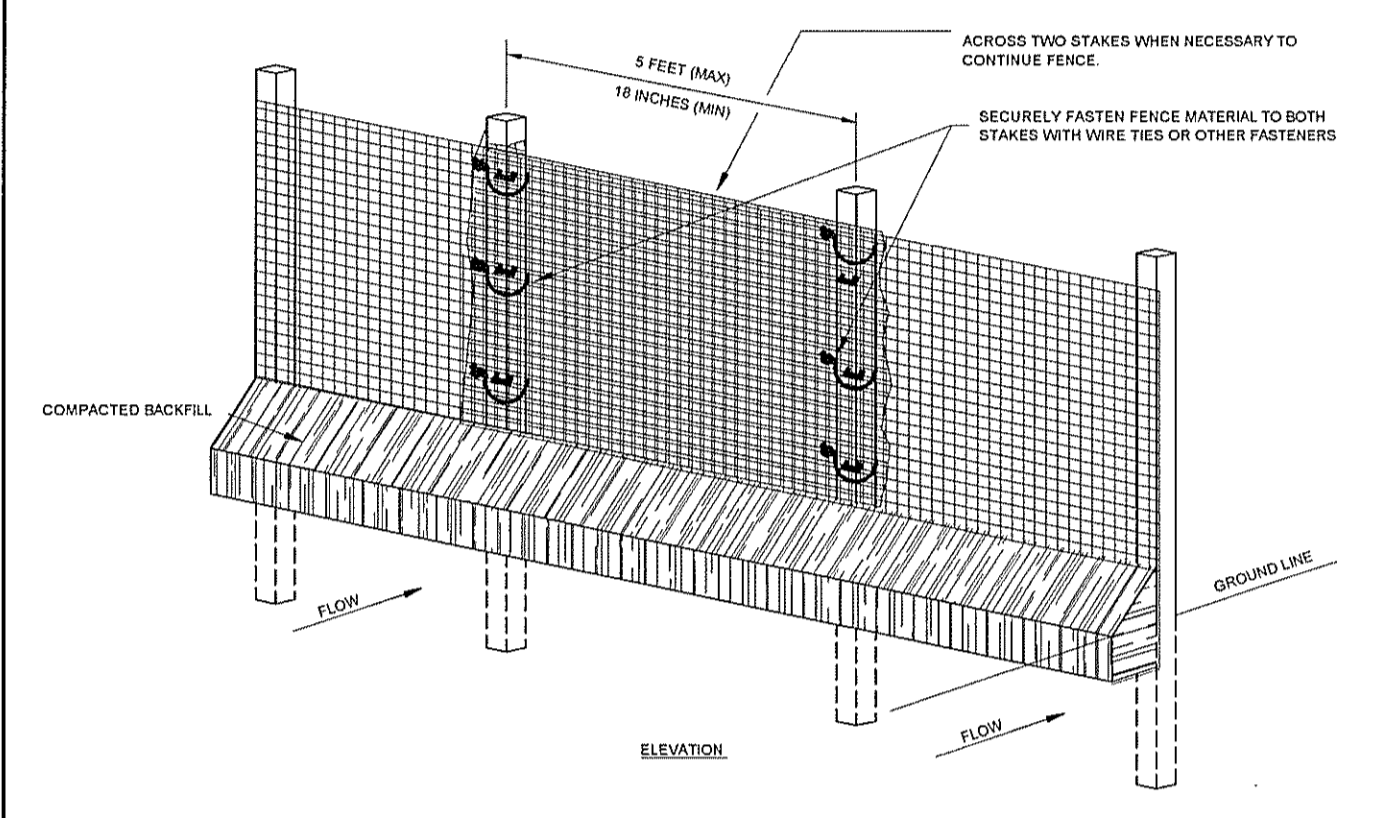
GUTTER BUDDY CURB INLET PROTECTION
N.T.S.

1

2

3

4



OVERLAP OF SEDIMENTATION/SILT FENCE
N.T.S.

SPECIFIER CHART			
MODEL NO.	CATCH BASIN (INCHES)	CURB DAM (INCHES)	OPTION (YES/NO)
FG-1004	24 X 24	30	NO
FG-1004	24 X 24	30	YES
FG-1004	24 X 24	30	NO
FG-1004	24 X 36	30	YES
FG-1004	36 X 36	30	NO
FG-1004	36 X 36	30	YES

NOTES:

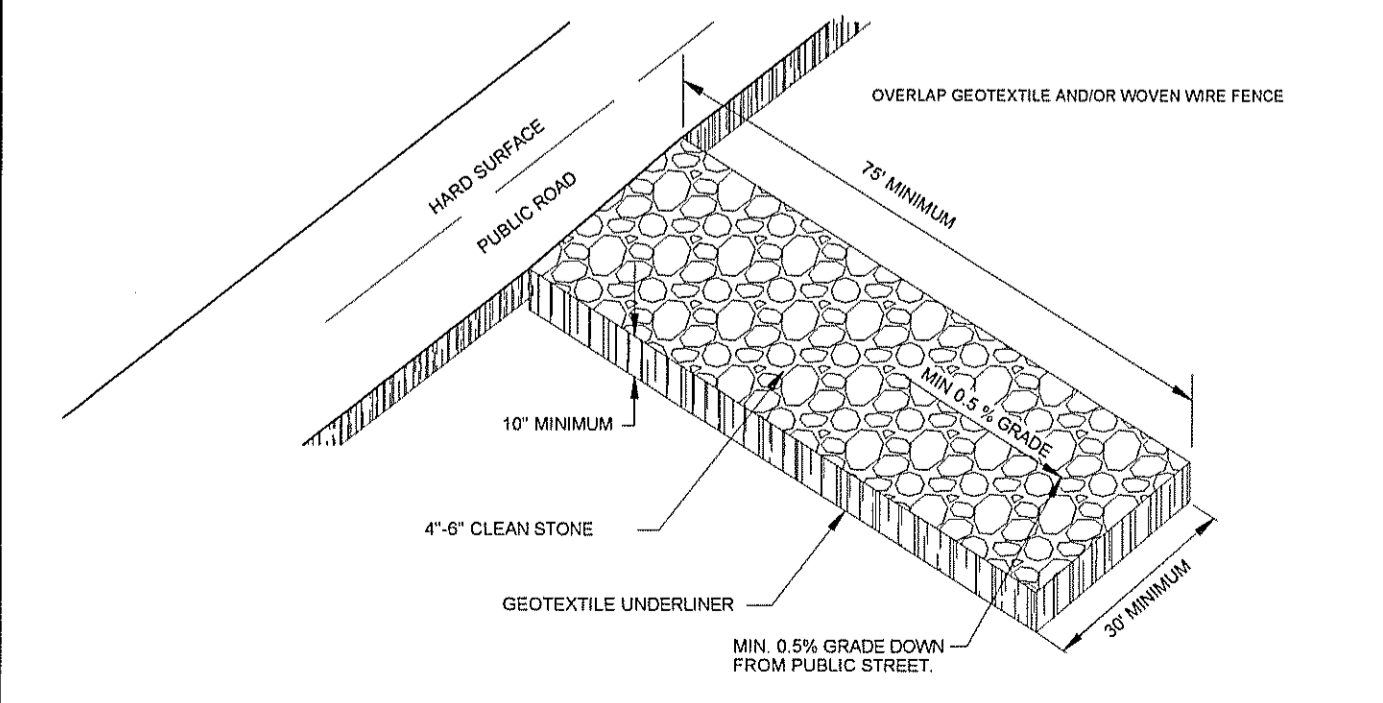
- FGuard T-Bag[®] is manufactured from woven polypropylene fabric. Other materials available upon request.
- May be enclosed with FossilFilter[®] oil absorbent patches installed.
- Optional curb inlet dam available upon request.
- Periodic maintenance is required.
- FGuard T-Bag[®] should never be allowed to fill beyond the top of the bypass outlet louvers. Appropriate flow equipment should be used when performing periodic maintenance.

SECTION VIEW - INSTALLED:
WITH OPTIONAL CURB INLET DAM

FGuard[®] T-Bag[®]
TEMPORARY INLET PROTECTION DEVICE

KriStar Enterprises, Inc.
P.O. Box 4918, South Miami, FL 33156
Ph: 609.579.8478 Fax: 201.524.4165 www.kristar.com

INLET SEDIMENT FILTER
N.T.S.



CONSTRUCTION ENTRANCE
N.T.S.

JOB #:	060332	
PROJ. MGR.:	J.P.M.	
DESIGNER:	R.I.D.	
CHECKED:	T.G.L.	
ENGINEER:	JASON P. WARDNEY, P.E.	
FL LIC. #:	65183	
NO.	DATE	REVISIONS
1	12-7-09	OUT-TO-BID SET

RECORD DRAWING
THIS RECORD DRAWING IS A MEANS OF PERIODIC FIELD OBSERVATIONS TO VERIFY THAT THE INDICATING CHANGES INCORPORATED DURING CONSTRUCTION, AND THAT THE DRAWING IS CORRECT TO THE BEST OF THE ENGINEER'S KNOWLEDGE.

**OUTPARCEL 6A
PALM COAST LANDING
AT
WEINGARTEN REALTY, INC.**

EROSION CONTROL DETAILS

Consulting Engineers & Surveyors

LOCHRANE
ENGINEERING, INC.
201 SOUTH BARRY AVENUE
PH: (407) 892-3317 FAX: (407) 895-9187
WWW.LOCHRANE.COM

SHEET C-7

C:\060332\1\CONSTR\060332-21-C7-EROSION CONTROL DETAILS.dwg - Dec 07, 2009 - 11:26am