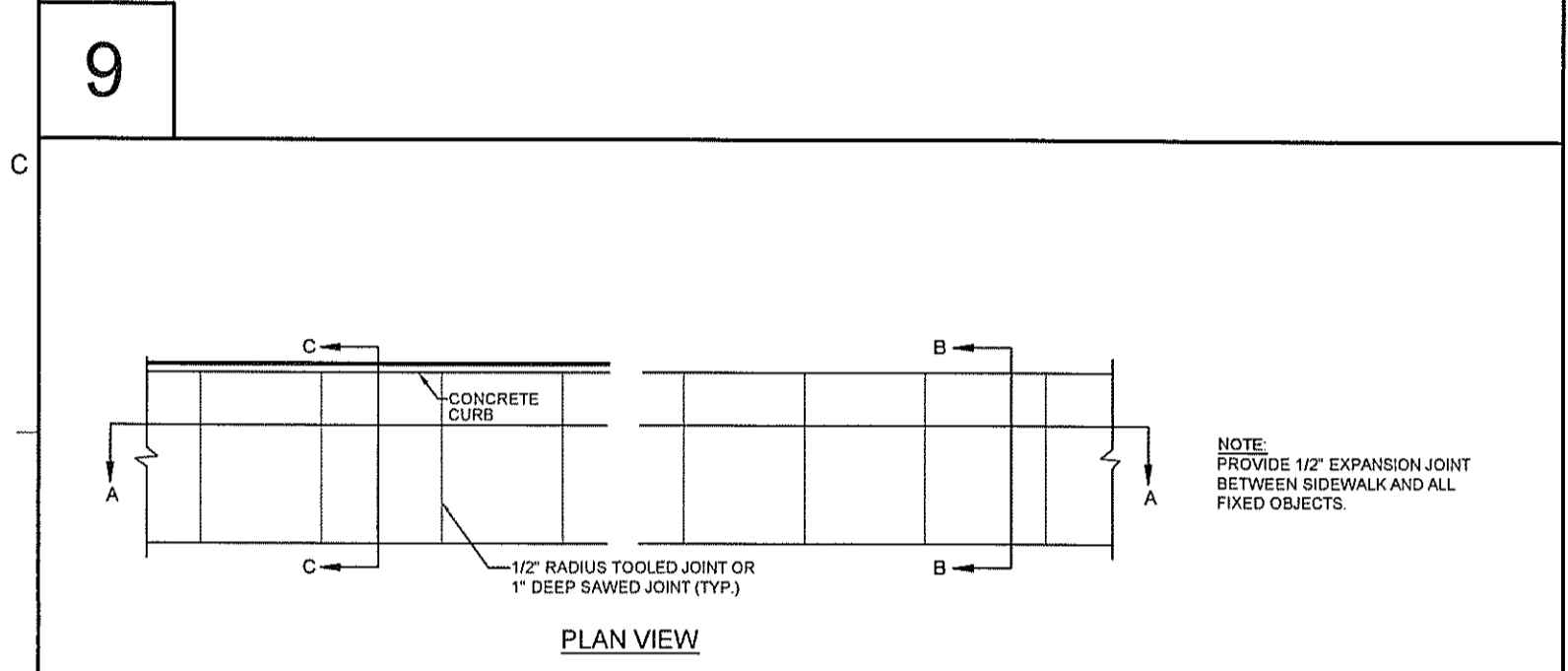
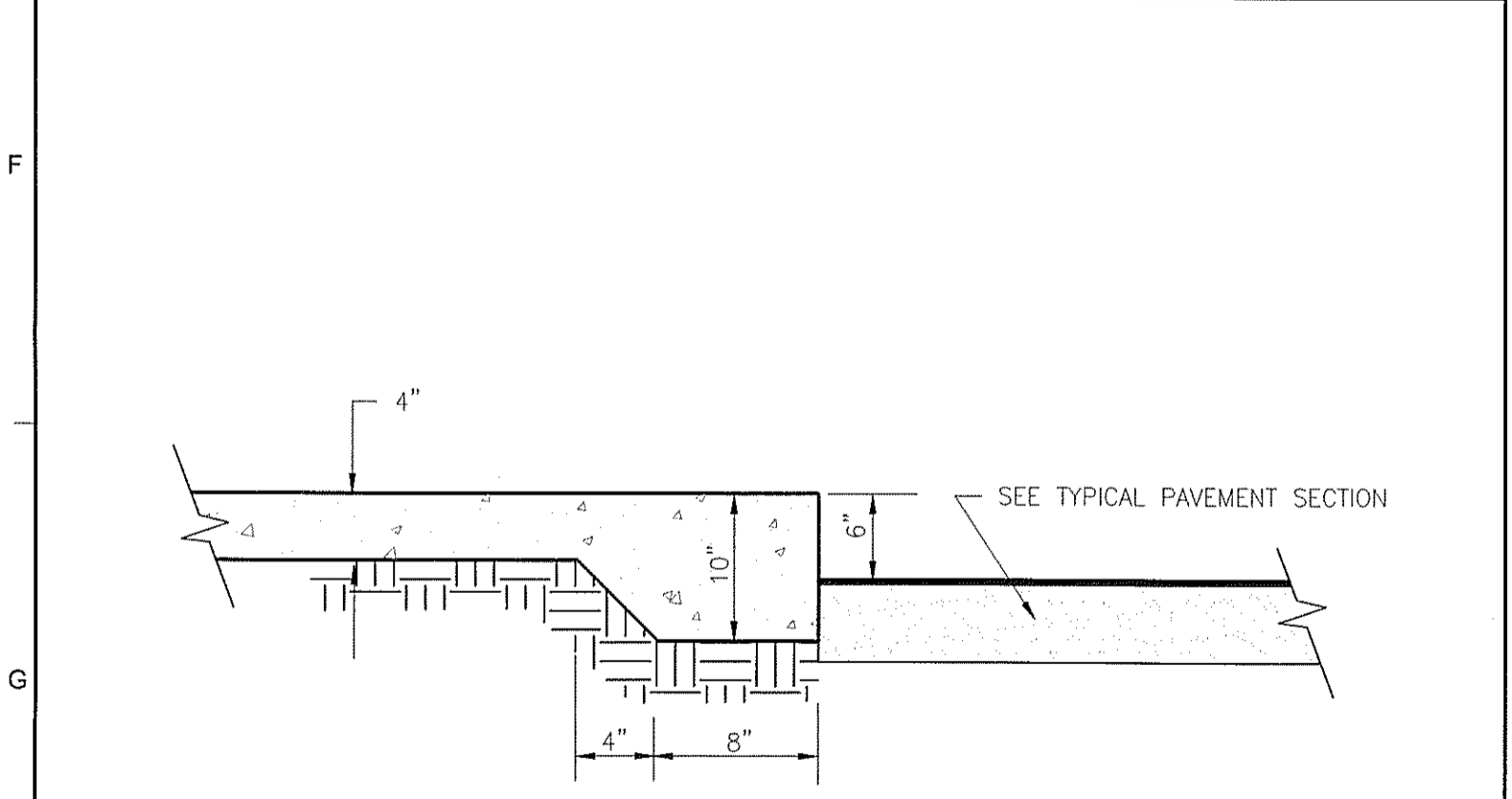


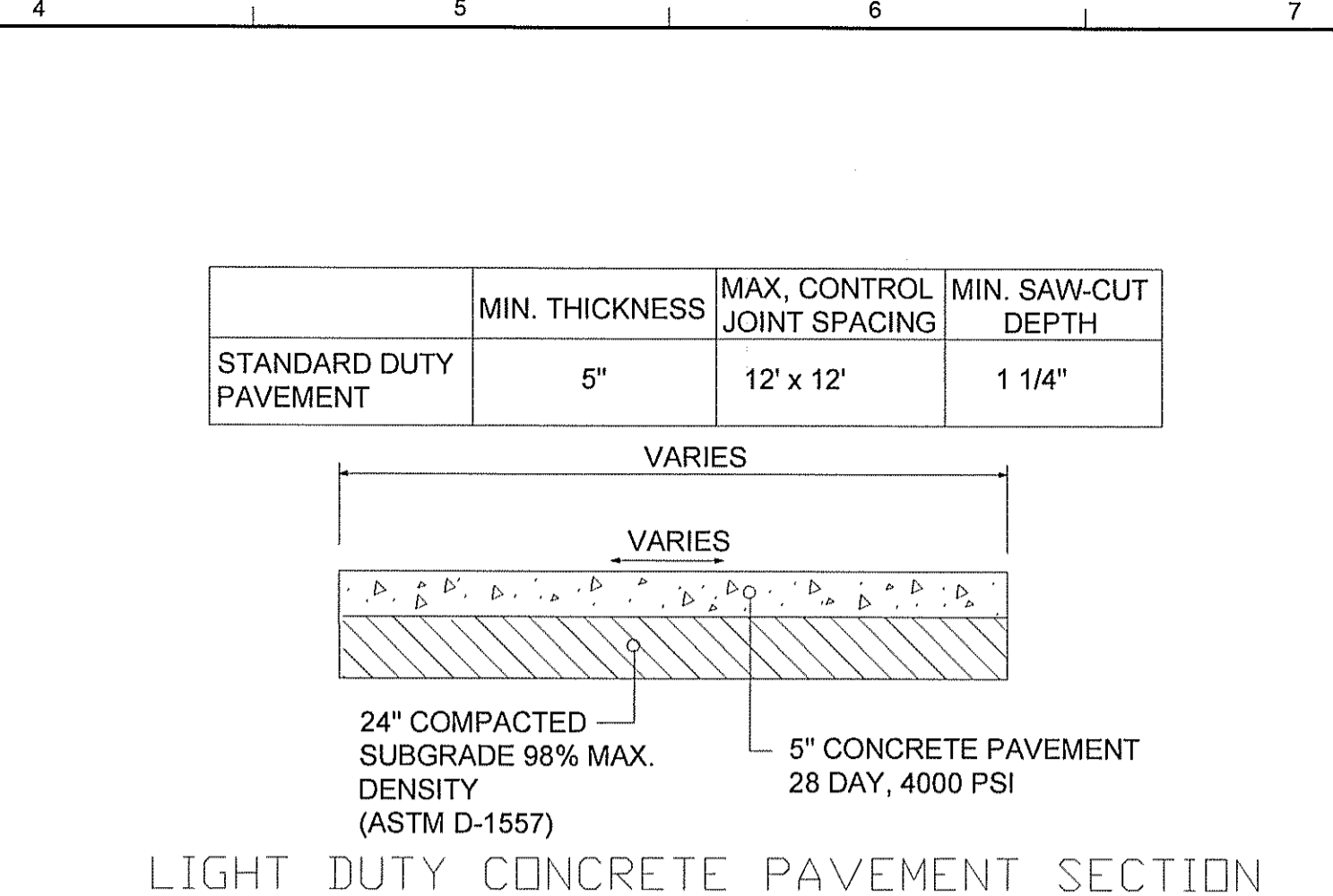
PAVEMENT SPLICE
NTS



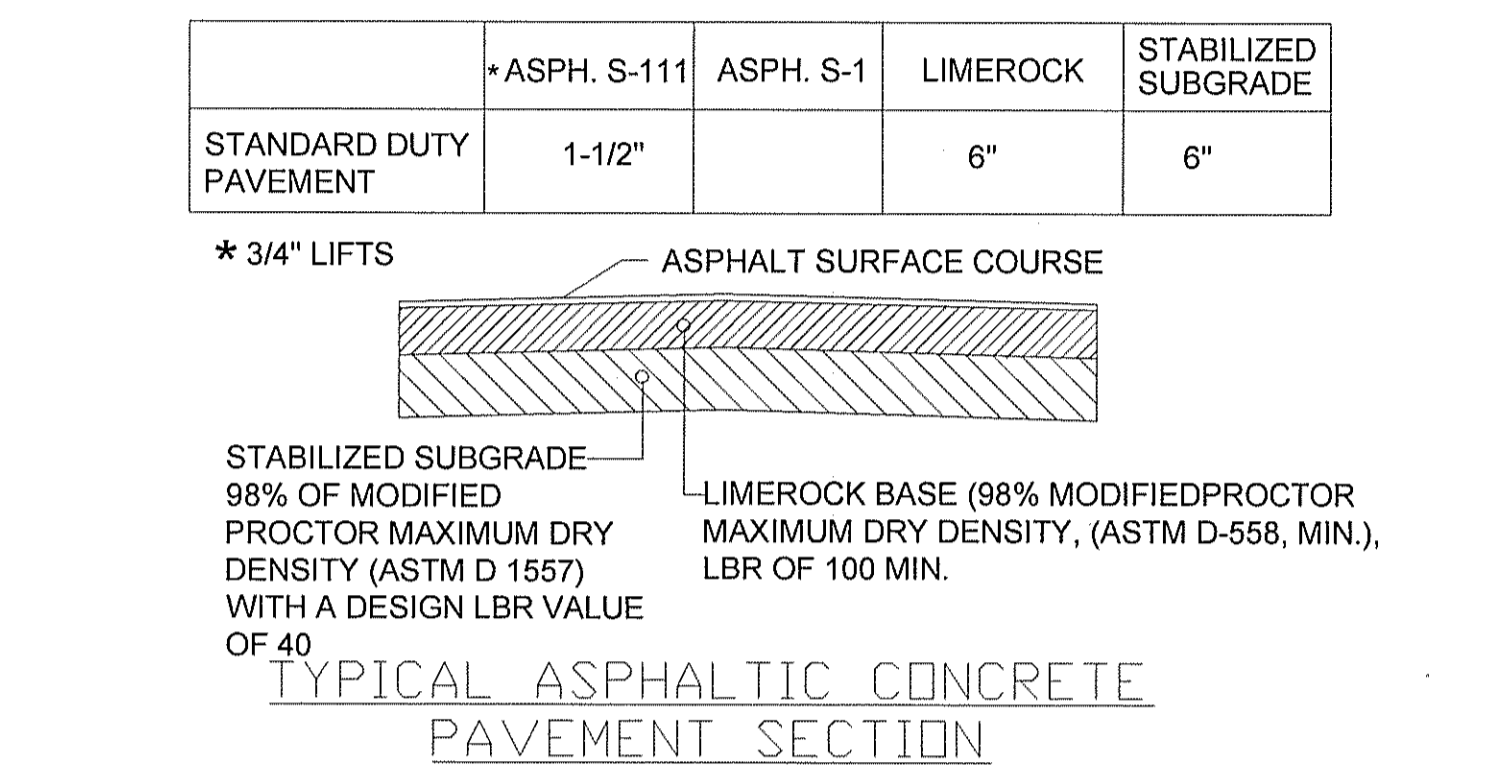
TYPICAL CONCRETE SIDEWALK
NTS



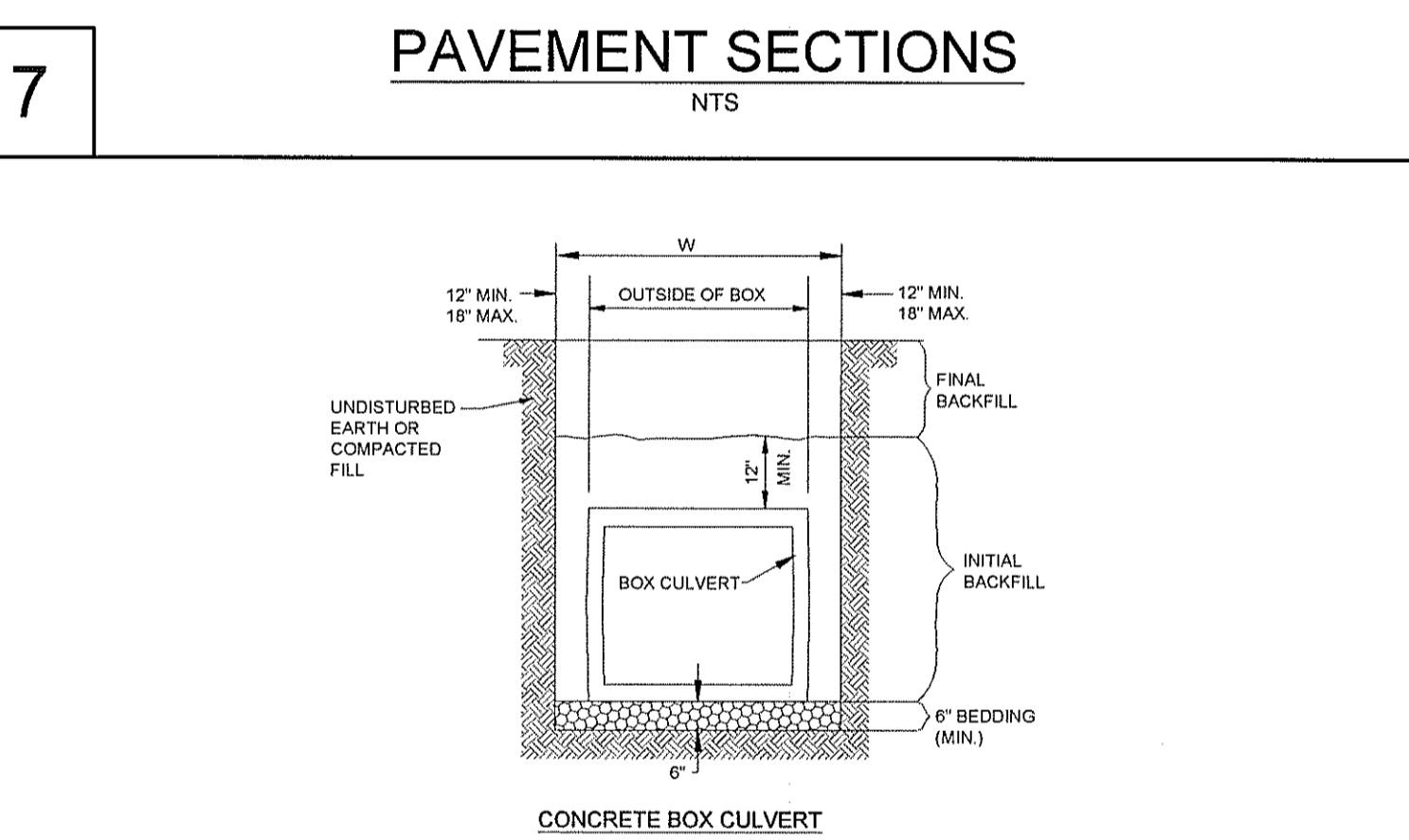
THICKENED SIDEWALK EDGE
NTS



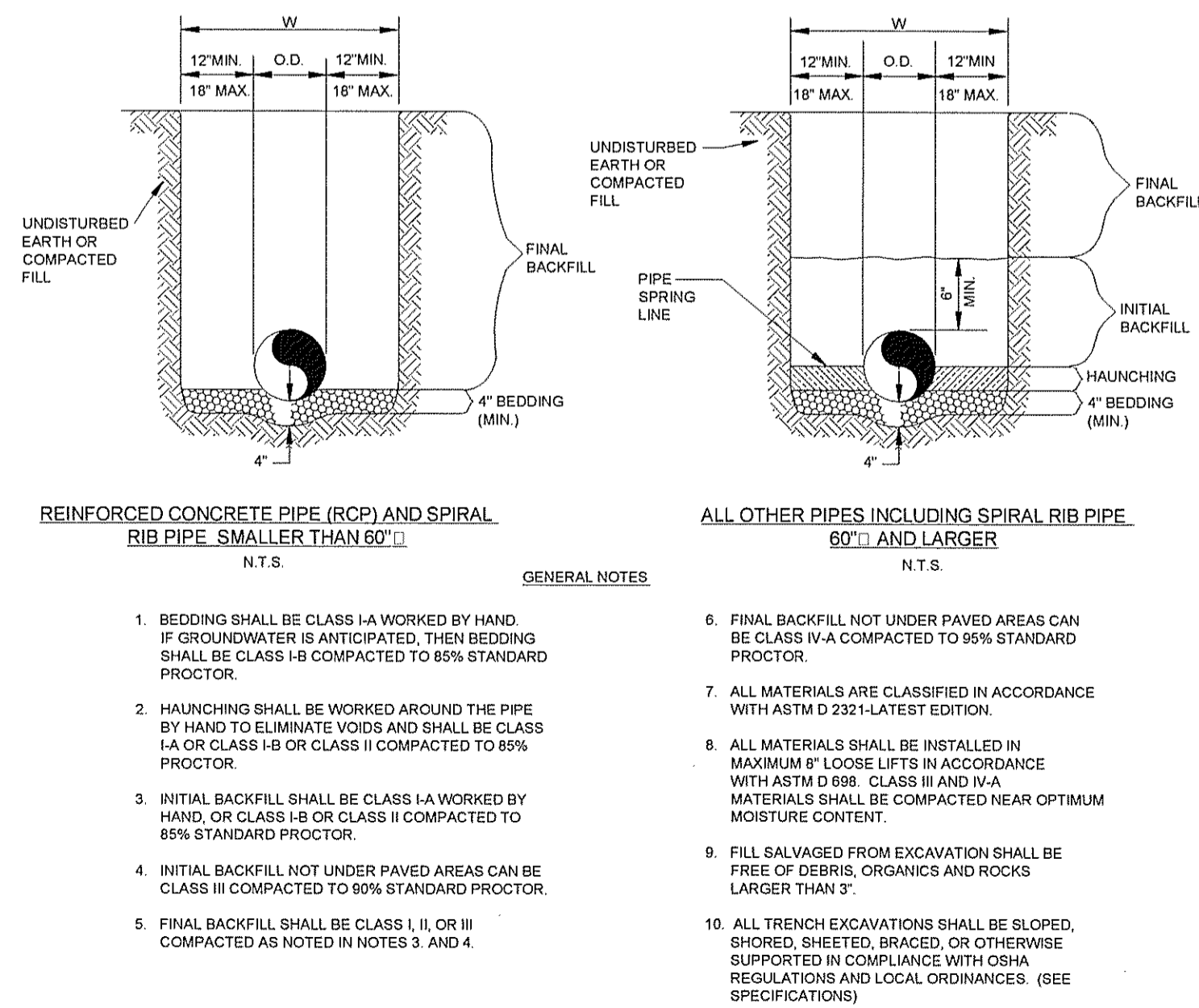
LIGHT DUTY CONCRETE PAVEMENT SECTION



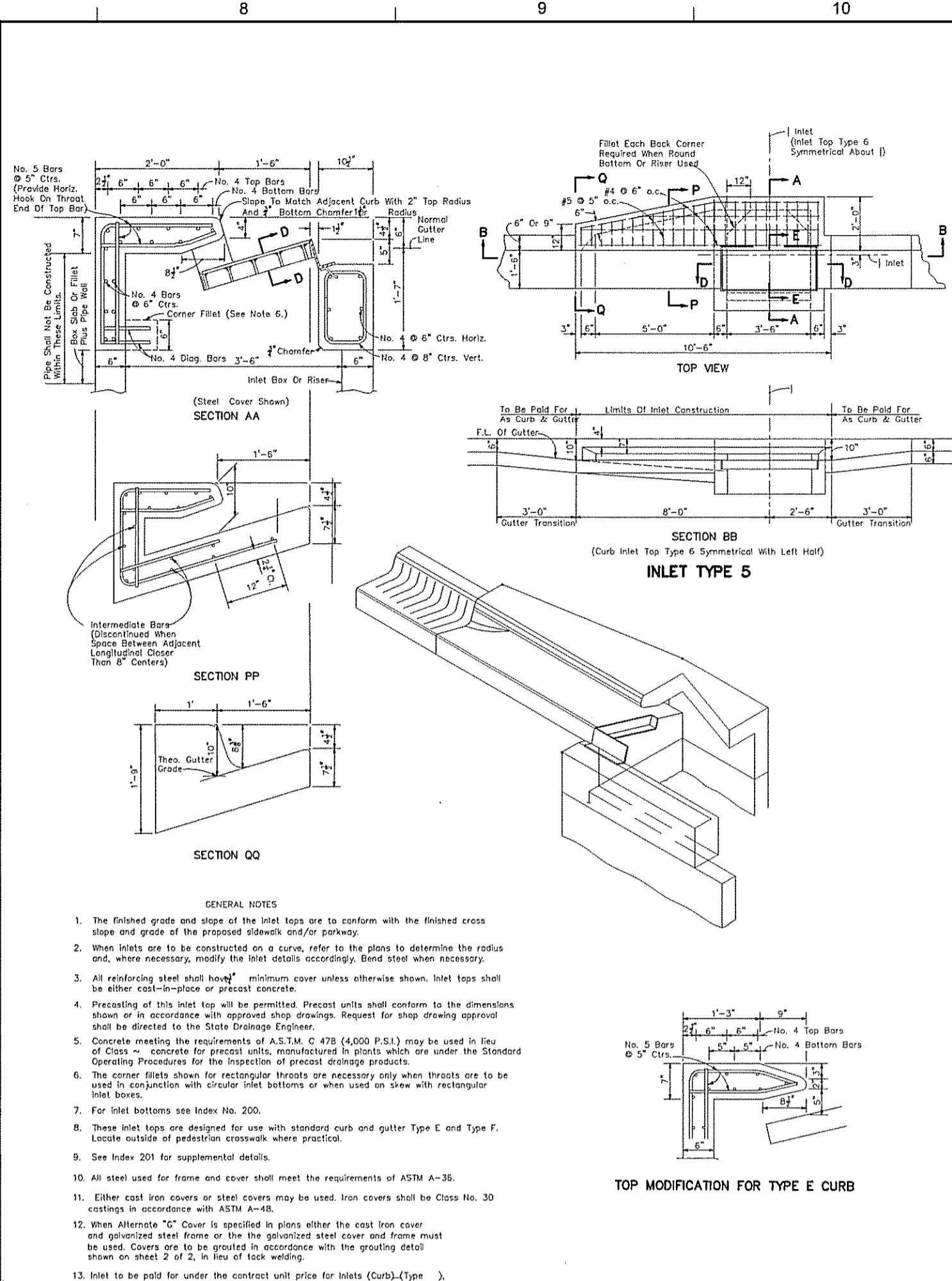
TYPICAL ASPHALTIC CONCRETE PAVEMENT SECTION



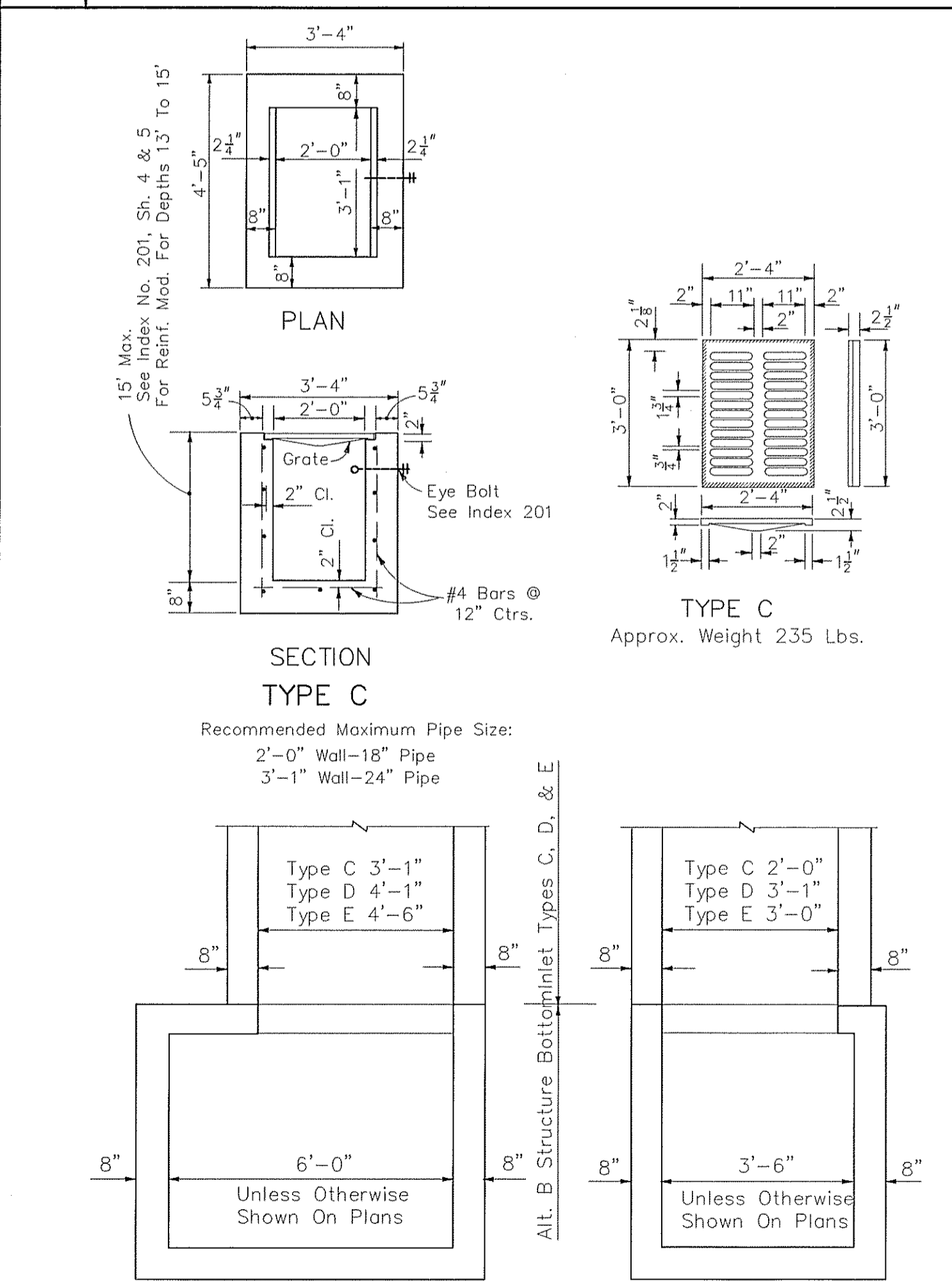
PAVEMENT SECTIONS
NTS



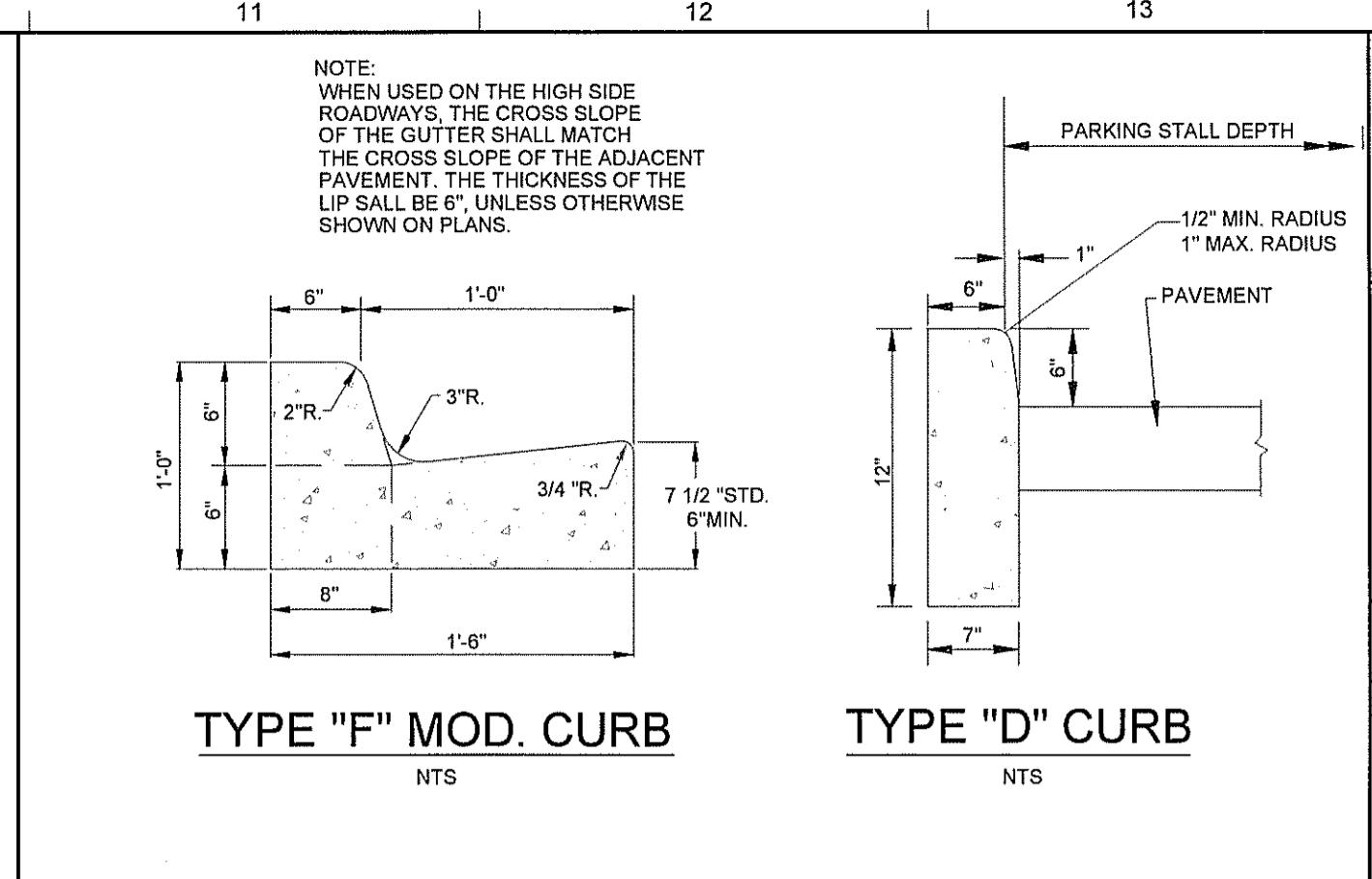
STORM SEWER TRENCH AND BEDDING
NTS



FDOT TYPE 6 CURB INLET
NTS

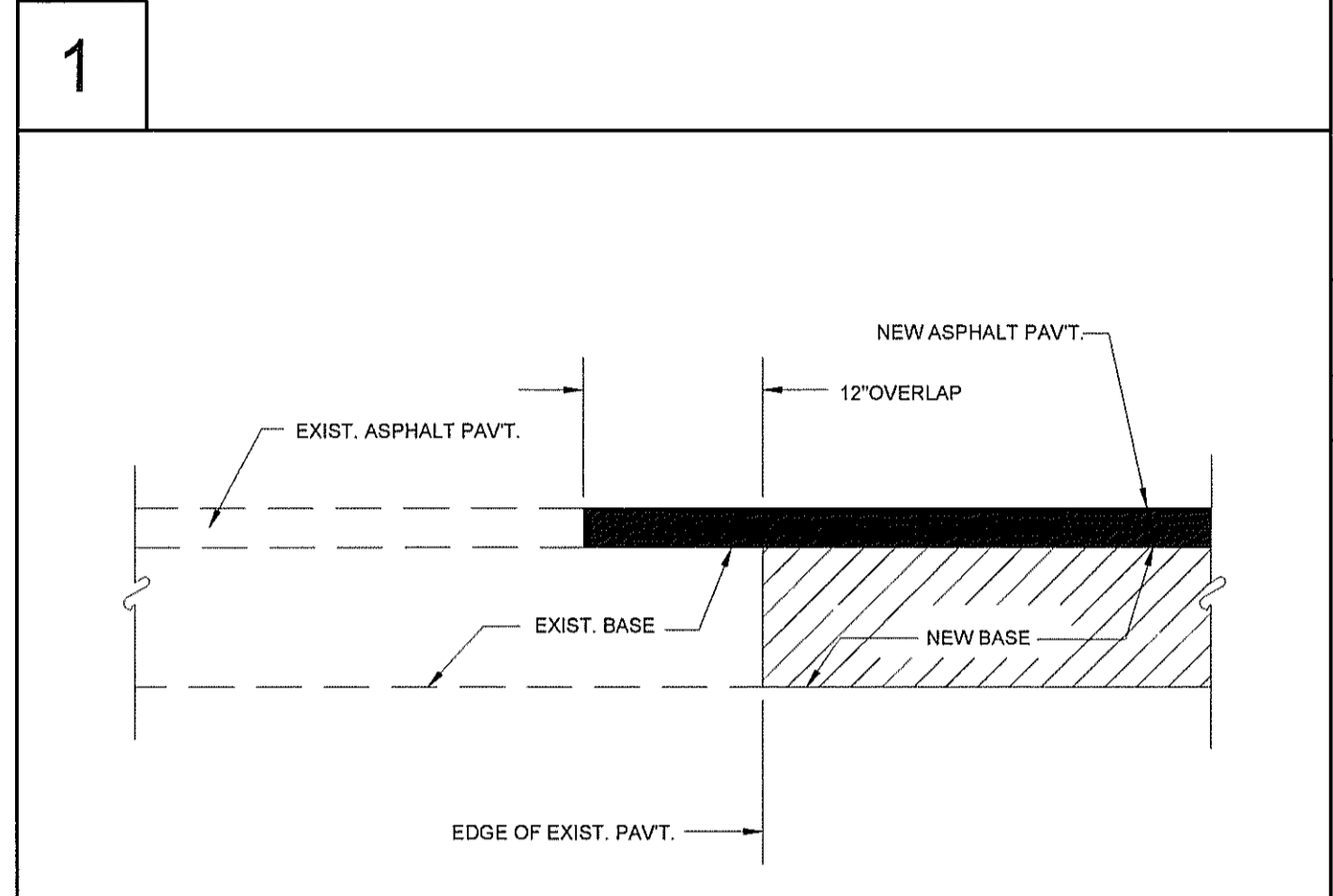


STRUCTURE BOTTOM FOR INLETS TYPE C, D & E
NTS

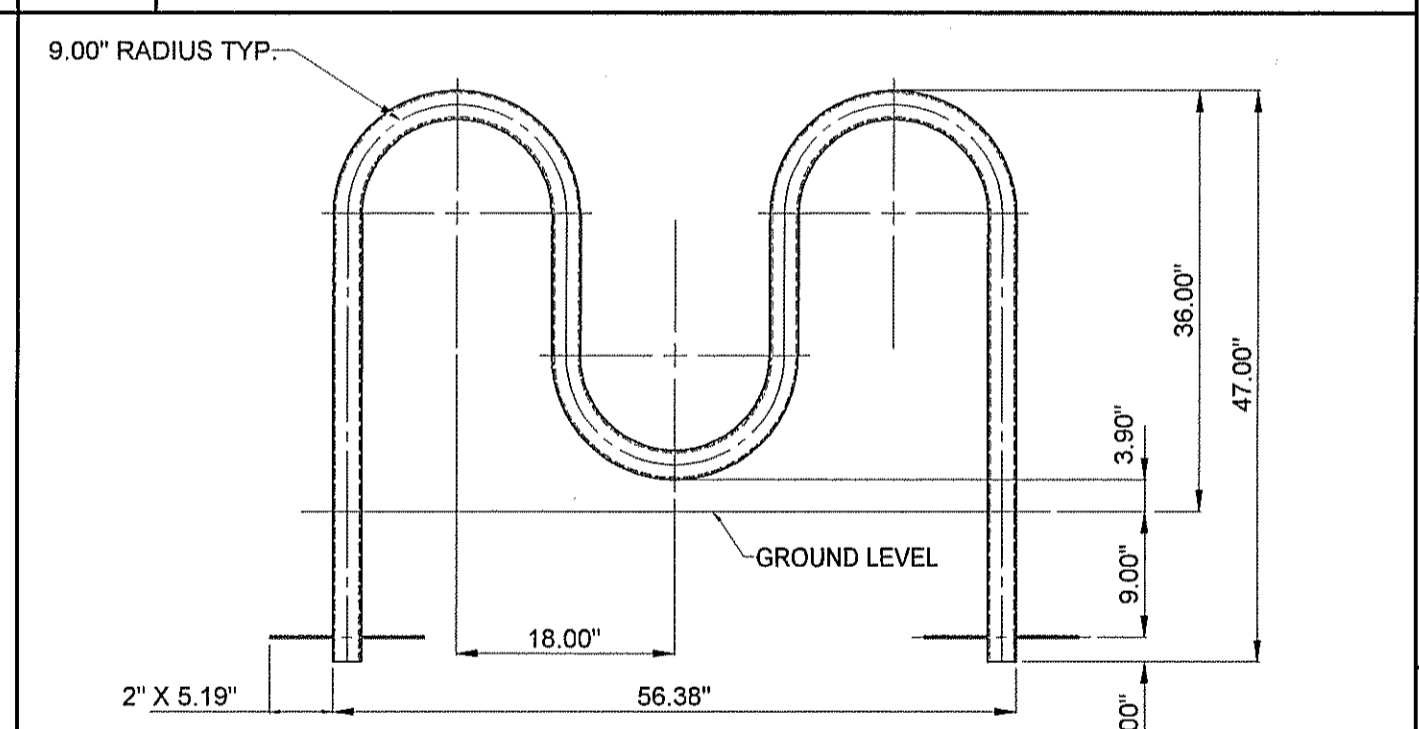


TYPE "F" MOD. CURB
NTS

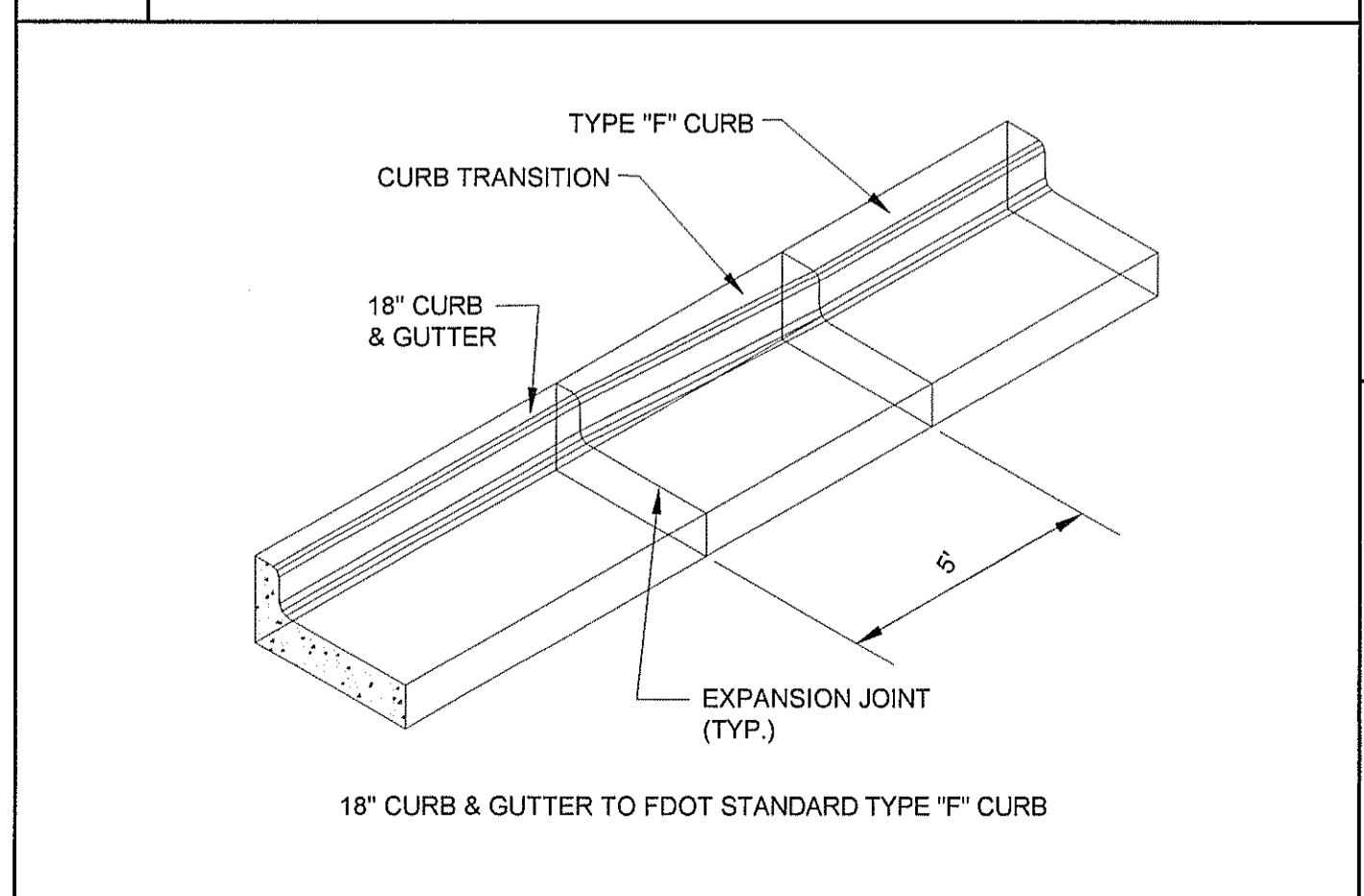
TYPE "D" CURB
NTS



PAVEMENT SPLICE
NTS



BYCYCLE RACK DETAIL
NTS



TRANSITION CURB
NTS

JOB #: DB033.2
 PRJ. MGR.: J.P.M.
 DESIGNER: R.I.D.
 CHECKED: T.G.L.
ENGINEER
 JASON P. MAHONEY, P.E.
 FL LIC. # 65163
 NO. DATE
 12-7-09 OUT-TO-BID SET
 REVISIONS
 RECORD DRAWING
 THIS RECORD DRAWING IS BASED ON THE RESULTS OF LIMITED FIELD SURVEYING AND EXISTING RECORD DRAWINGS. THE CONTRACTOR SHALL VERIFY THE ACCURACY OF ALL DIMENSIONS AND CONDITIONS SHOWN ON THIS DRAWING. ANY DISCREPANCIES SHALL BE REPORTED TO THE ENGINEER IMMEDIATELY. THE ENGINEER SHALL BE RESPONSIBLE FOR THE ACCURACY OF THE RECORD DRAWING.
 ENGINEER:
 FL LIC. #
OUTPARCEL 6A
PALM COAST LANDING
 AT
WEINGARTEN REALTY, INC.
GENERAL
DETAILS II
 Consulting Engineers & Surveyors
LOCHRANE
 ENGINEERING, INC.
 2000 W. PALM BEACH BLVD.
 BOCA RATON, FLORIDA 33433
 PH: (561) 995-9177
 WWW.LOCHRANE.COM
 CERTIFICATE OF AUTHORIZATION #0002856
 01/08/03 3.21/CONSTR/08033.21 C-12 GENERAL DETAILS 2.dwg - Dec 07, 2009 - 11:38am
 SHEET C-12