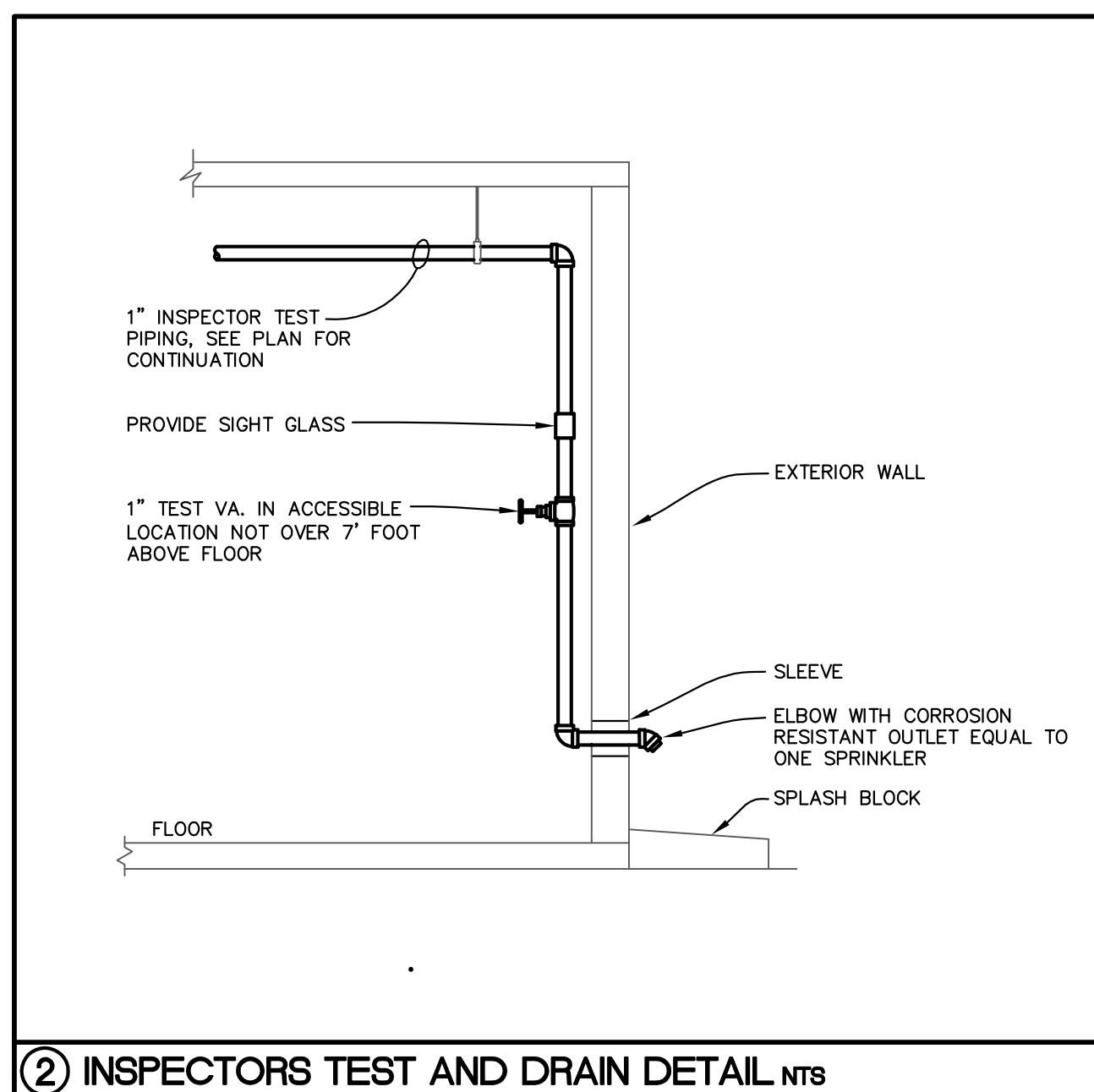
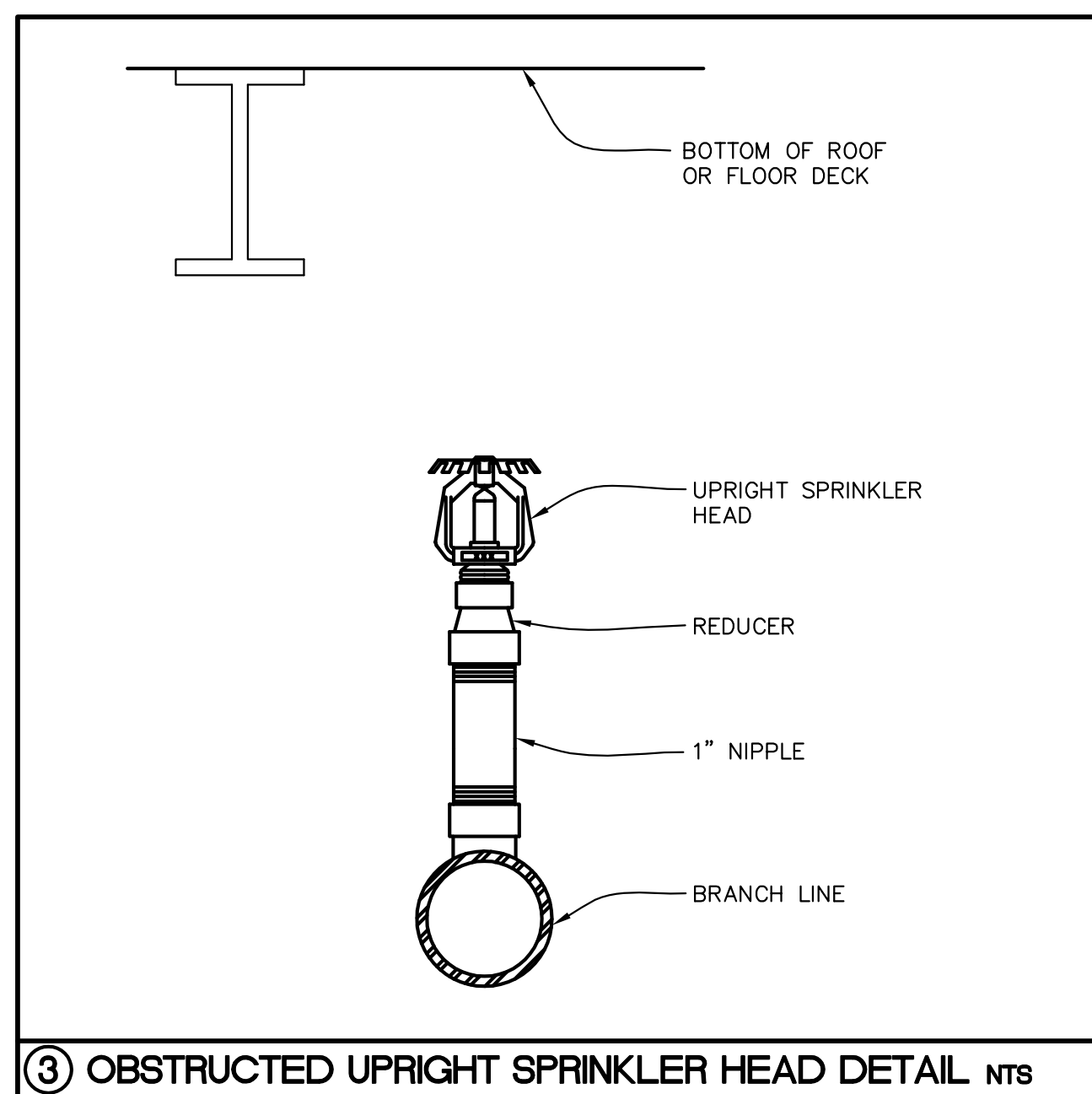


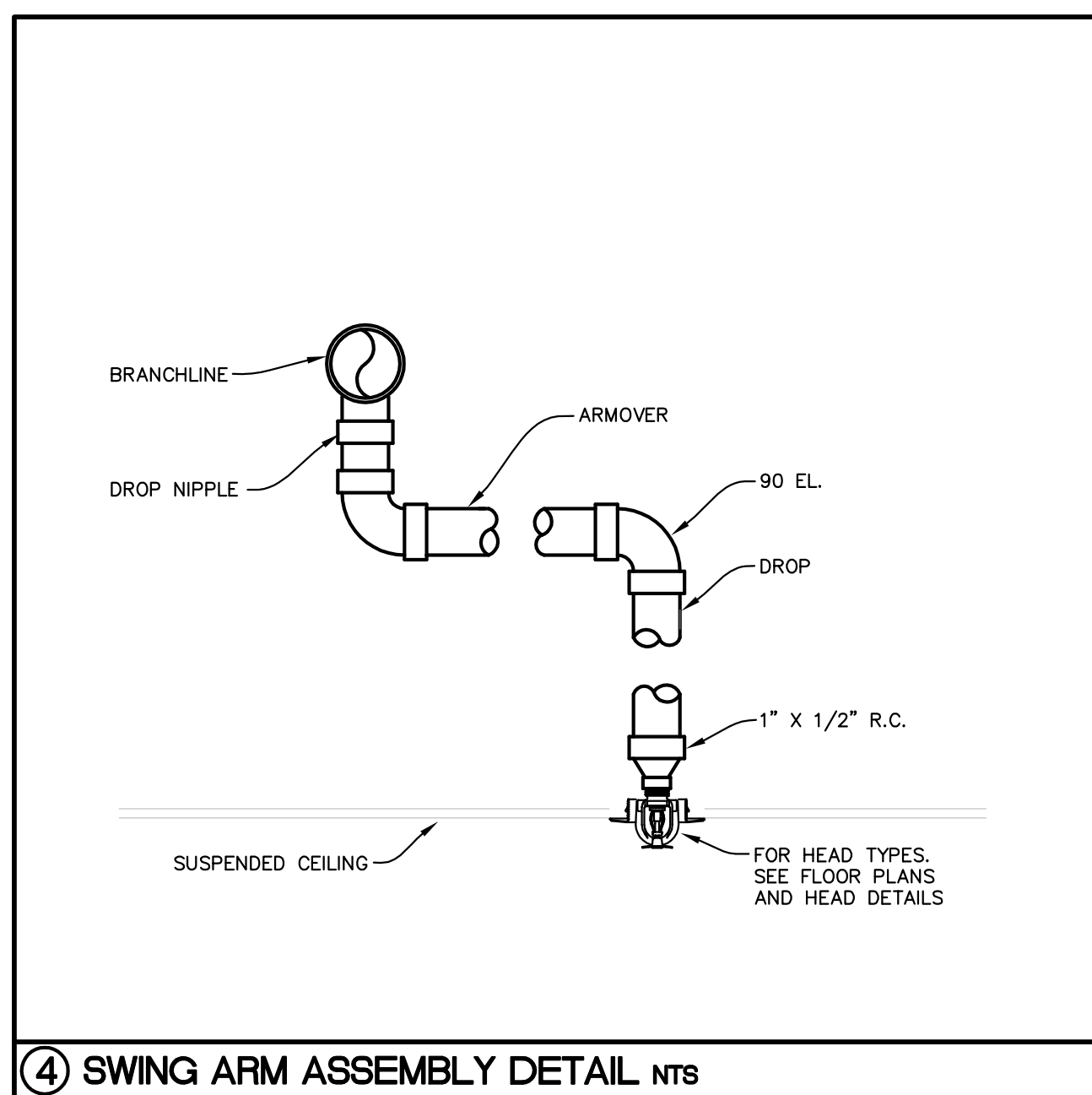
1 SYSTEM RISER NTS



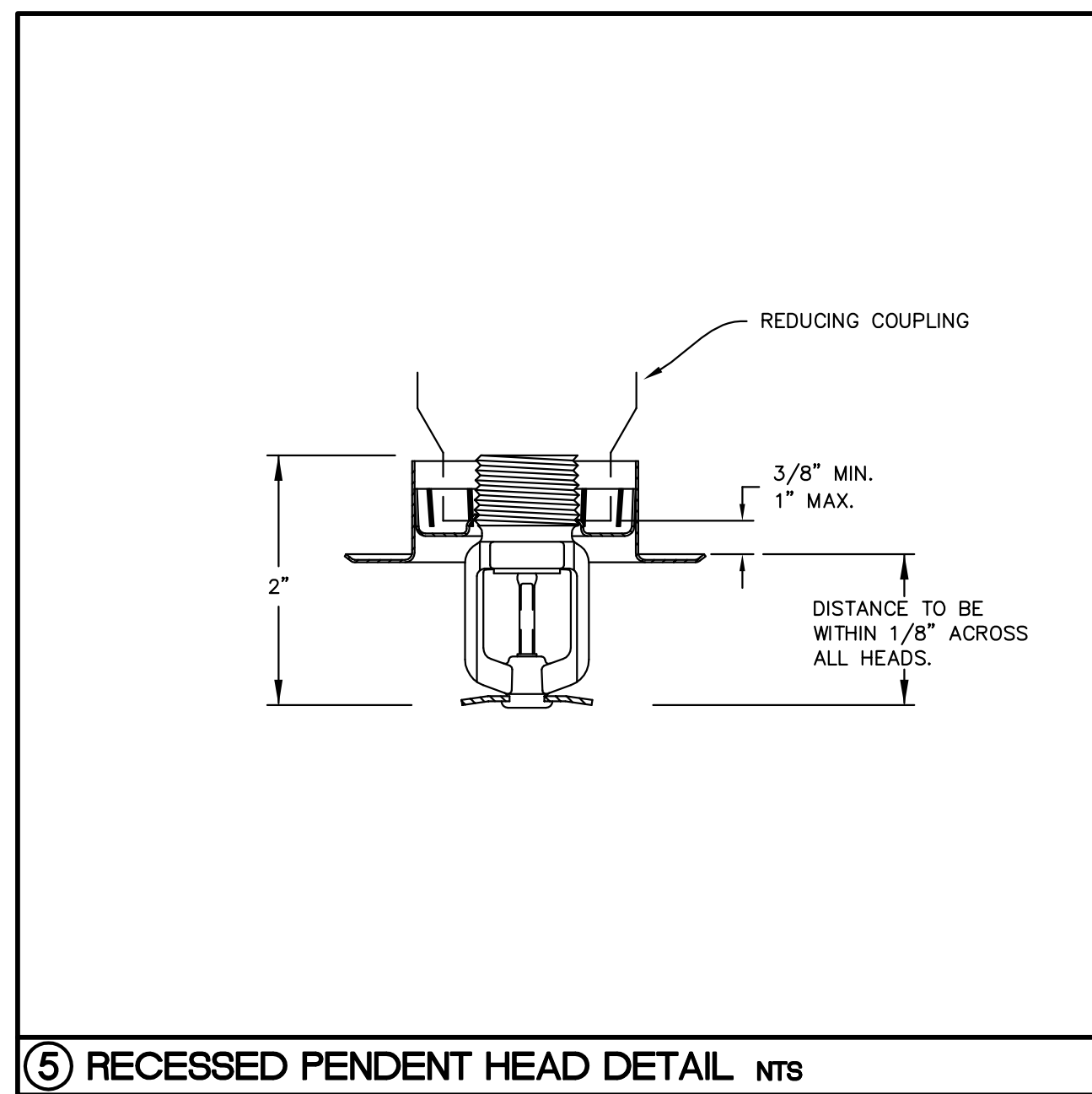
2 INSPECTORS TEST AND DRAIN DETAIL NTS



3 OBSTRUCTED UPRIGHT SPRINKLER HEAD DETAIL NTS



4 SWING ARM ASSEMBLY DETAIL NTS



5 RECESSED PENDENT HEAD DETAIL NTS

GENERAL NOTES: (FIRE SPRINKLERS)

SPRINKLERS ARE TO BE LOCATED IN CENTER OF CEILING TILE.

THE SPACING OF SPRINKLERS: THE SPACING AND SIZES OF PIPES SHALL CONFORM TO THE REQUIREMENTS OF NFPA PAMPHLET NO. 13. SPRINKLERS SHALL BE INSTALLED BY PERSONNEL WHO HAVE ENGINEERING FACILITIES AND EXPERIENCE IN SUCH WORK AND WHO ARE REGULARLY EMPLOYED TO DO SUCH WORK.

IN LOCATING SPRINKLERS AND PIPING, CONTRACTOR SHALL COORDINATE THE SPRINKLER LAYOUT WITH THE LIGHTING AND AIR CONDITIONING LAYOUT.

ALL MATERIAL SHALL BE OF APPROVED QUALITY AND THE WORK SHALL BE DONE IN A THOROUGH AND WORKMANLIKE MANNER. THE WORK, MATERIALS AND TEST SHALL BE IN ACCORDANCE WITH THE CURRENT REQUIREMENTS OF NFPA PAMPHLET 13, LATEST EDITION.

PIPING: SPRINKLER PIPING SHALL BE SCHEDULE 40 BLACK STEEL PIPE AND FITTINGS CONFORMING TO ASTM A-120-55. MINIMUM SIZE IS ONE (1") INCH. SCHEDULE 10 MAY BE USED FOR 2 1/2" AND LARGER. DO NOT THREAD THINWALL PIPE.

PIPE SUPPORTS: HANGERS, CLAMPS, RODS AND OTHER ACCESSORIES OF AN APPROVED TYPE AND IN SUFFICIENT NUMBER TO PROPERLY SUPPORT ALL PIPING SHALL BE FURNISHED AND INSTALLED. PIPING SHALL BE SUPPORTED BY ROUND WROUGHT U-TYPE APPROVED ADJUSTABLE HANGERS.

SPRINKLERS SHALL BE 1/2" ORIFICE TYPE OF ORDINARY DEGREE RATING EXCEPT WHERE EXCESSIVE TEMPERATURES ARE ANTICIPATED. IN THESE LOCATIONS HIGH TEMPERATURE SPRINKLERS SHALL BE INSTALLED IN ACCORDANCE WITH NFPA NO. 13. PROVIDE QUICK RESPONSE SPRINKLERS IN LIGHT HAZARD AREAS.

PROVIDE AND MAINTAIN A MINIMUM OF 18 INCHES CLEARANCE BETWEEN THE BOTTOM OF THE SPRINKLER DEFLECTOR AND THE TOP OF STORAGE, FILES, ETC.

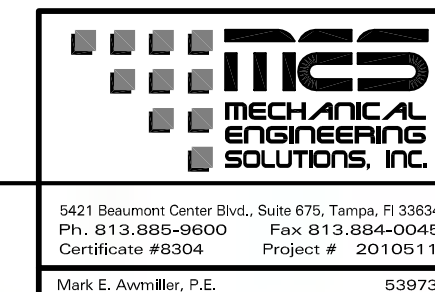
REFER TO ARCHITECTURAL DOCUMENTS FOR LOCATIONS OF ALL SMOKE AND/OR FIRE WALLS WHICH FIRE PROTECTION PIPING PENETRATES AND PENETRATION DETAILS SHOWING THE MAINTAINING OF THE INTEGRITY OF THE SMOKE/FIRE SAFED IN AN APPROVED MANNER WHEN PENETRATING WALLS AND FLOORS. SEE DETAILS.

THESE DRAWINGS ARE DIAGRAMMATIC IN NATURE AND DO NOT NECESSARILY SHOW ALL ELBOWS, OFFSETS, UNION, VALVES AND FITTINGS REQUIRED TO COMPLETE THE INSTALLATION OF THE WORK. THE SUBMISSION OF A PROPOSAL SHALL BE CONSTRUED AS EVIDENCE THAT THE CONTRACTOR HAS FAMILIARIZED HIMSELF WITH THE PLANS AND BUILDING SITE. CLAIMS MADE SUBSEQUENT TO THE PROPOSAL FOR MATERIALS AND LABOR BECAUSE OF DIFFICULTIES ENCOUNTERED WILL NOT BE RECOGNIZED, IF THEY COULD HAVE BEEN FORESEEN HAD PROPER EXAMINATION BEEN MADE.

ALL FIRE PROTECTION WORK SHALL MEET ALL THE REQUIREMENTS OF THE "FLORIDA 2007 BUILDING CODE" AND FLORIDA FIRE PREVENTION CODE 2007 WITH ALL AMENDMENTS AND SUPPLEMENTS.

FIRE PROTECTION LEGEND

- (---) NEW SPRINKLER PIPE
- (⊗) NEW FIRE RISER
- (⊠) NEW UPRIGHT SPRINKLER
- (⊙) NEW PENDENT SPRINKLER



THE DISCOUNT PARTY SUPER STORE

COLONIAL LANDING

SHOPPING CENTER

3220 EAST COLONIAL BLVD.

ORLANDO, FL



SITE KEY PLAN

Mark	Date	Description
-	3/2/10	Permit Set

Issue/Revision	Permit Set
Project ID	10003
CAD File Name	10003-CD.vwx
Drawn By	DM
Checked By	MEA
Plot Date:	3/2/10
Record Date:	Record Date
Sheet Title	

NOTES AND DETAILS -  
FIRE PROTECTION

SCALE: AS NOTED

Drawing No.

F-5.1