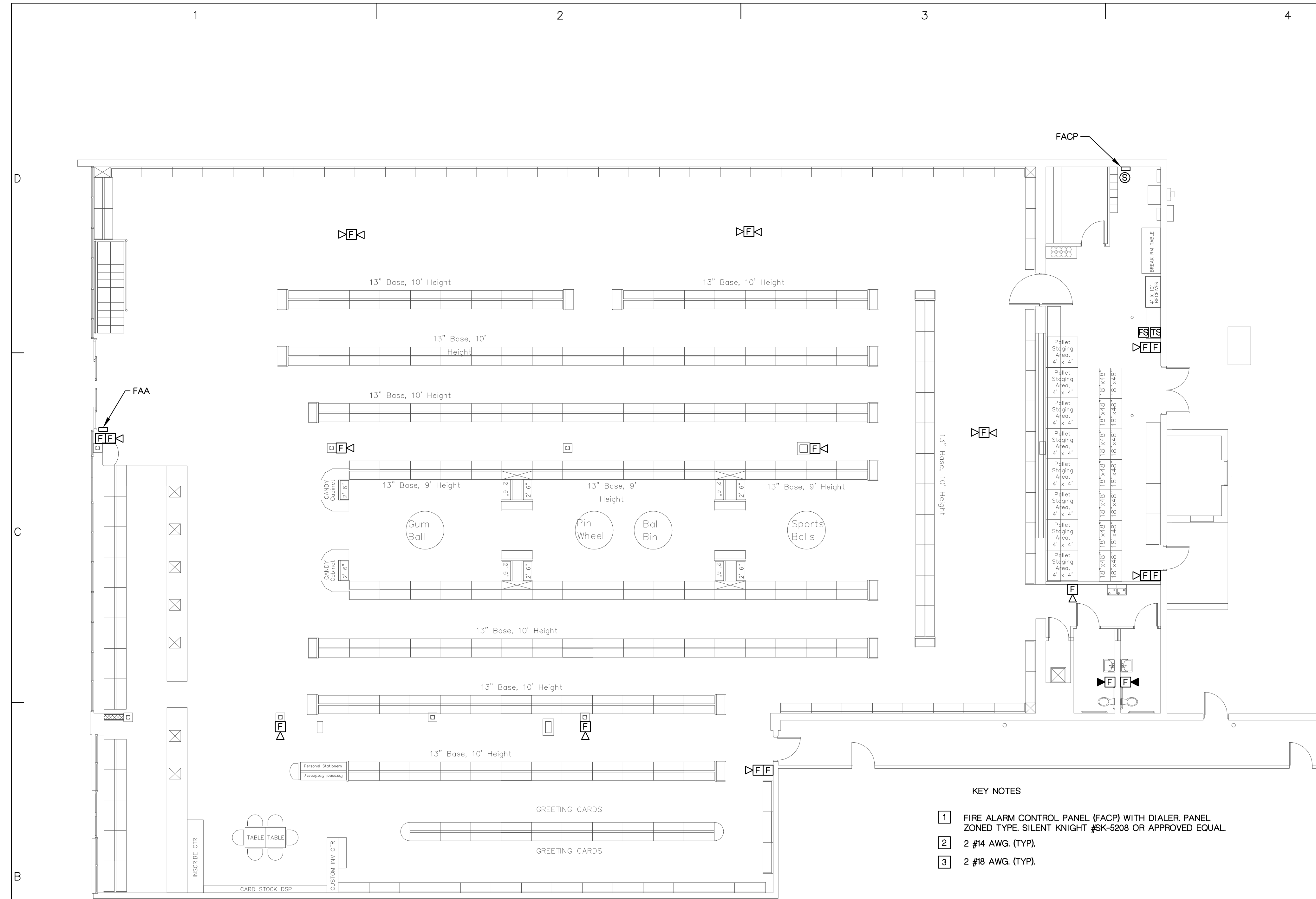


DRAWINGS PROPERTY OF CONSULTING ENGINEERING GROUP INC. INTERNATIONAL 2010



**FIRE ALARM LEGEND:** NOT ALL SYMBOLS USED THIS PROJECT

[F]	PULL STATION MOUNTED AT 48" AFF.
[F]	STROBE LIGHT MOUNTED AT 82" AFF. (75CD)
[F]	COMBINATION HORN/STROBE LIGHT MOUNTED AT 82" AFF. (110CD)
[F]	COMBINATION HORN/STROBE (110CD) LIGHT-CEILING MOUNTED.
[S]	DUCT SMOKE DETECTOR WITH AIR SAMPLING TUBE SIZED PER DUCT DIMENSIONS.
[S]	SMOKE DETECTOR-PHOTOELECTRIC
[H]	HEAT DETECTOR-FIXED TEMP. 135°
[D]	FIRE ALARM DOOR HOLDER
[FACP]	FIRE ALARM CONTROL PANEL
[FAPS]	FIRE ALARM BOOSTER POWER SUPPLY
[FAA]	FIRE ALARM REMOTE ANNUCIATOR PANEL
[FS]	FIRE ALARM FLOW SWITCH
[TS]	FIRE ALARM TAMPER SWITCH

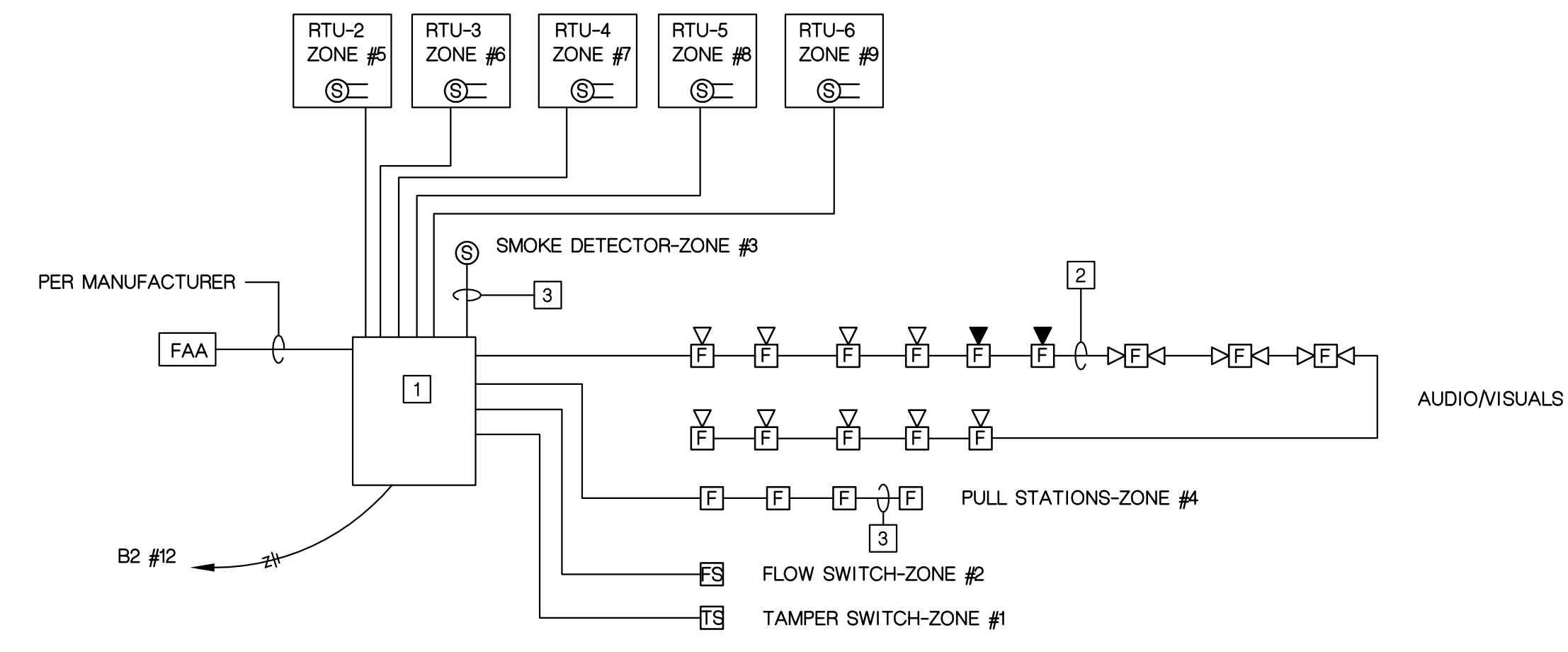
**ELECTRICAL LEGEND:** NOT ALL SYMBOLS USED THIS PROJECT

[⊕]	125V, DUPLEX RECEPTACLE, 18" AFF, 15A.
[⊕]	125V, ABOVE COUNTER, DUPLEX RECEPTACLE, 15A. SEE DRAWINGS FOR ELEVATIONS.
[⊕]	125V, QUADRAPLEX RECEPTACLE, 18" AFF, 15A.
[⊕]	125V, QUADRAPLEX RECEPTACLE, SEE DRAWINGS FOR ELEVATIONS, 15A.
[GF⊕]	125V, GROUND FAULT INTERRUPTER, DUPLEX RECEPTACLE, 20A.
[⊕]	125V, DUPLEX RECEPTACLE, CEILING MOUNTED, 15A.
[S]	TOGGLE SWITCH, 48" AFF, 20A, 125V.
[S]	3-WAY TOGGLE SWITCH, 48" AFF, 20A, 125V.
[S]	4-WAY TOGGLE SWITCH, 48" AFF, 20A, 125V.
[S]	DIMMER (SIZE AS REQUIRED FOR LOAD) LIGHTOLIER "V2000" SERIES-WHITE
[J]	CEILING OR WALL MOUNTED JUNCTION BOX
[CC]	CEILING MOUNTED OCCUPANCY SENSOR, MOUNTING BY MANUF. INSTRUCTIONS.
[JWP]	WEATHERPROOF JUNCTION BOX
[B]	DOWNLIGHT FIXTURE, SEE FIXTURE SCHEDULE
[H]	WALL OUTLET LIGHTING, SEE FIXTURE SCHEDULE
[⊕]	CEILING PENDANT LIGHT FIXTURE, SEE FIXTURE SCHEDULE
[A]	CEILING FIXTURE, RECESSED MOUNTED, SEE FIXTURE SCHEDULE
[B]	EXIT BATTERY LIGHT, SEE FIXTURE SCHEDULE, SEE PLANS FOR DIRECTION ARROWS
[B]	WALL FIXTURE, SURFACE MOUNTED, EMERGENCY BATTERY UNIT, SEE FIXTURE SCHEDULE
[V]	DATA OUTLET, PROVIDE MOUNTING PLATE BRACKET AND GROMMET IN WALL CAP FOR NON INSULATED WALLS. PROVIDE FLEX CONDUIT OR J. HOOK IN CASEWORK PROVIDE 3/4" CONDUIT TO ABOVE ACCESS CEILING IN INSULATED WALLS. PROVIDE PULL STRING
[V]	TELEPHONE OUTLET, PROVIDE MOUNTING PLATE BRACKET AND GROMMET IN WALL CAP FOR NON INSULATED WALLS. PROVIDE FLEX CONDUIT OR J. HOOK IN CASEWORK PROVIDE 3/4" CONDUIT TO ABOVE ACCESS CEILING IN INSULATED WALLS. PROVIDE PULL STRING
[CAM]	CCTV SYSTEM CAMARA PROVIDED AND INSTALLED BY OTHERS.
[MOM]	VIDEO MONITOR, PROVIDED AND INSTALLED BY OTHERS.
[WP]	WEATHERPROOF DEVICE
[GF/GFI]	GROUND FAULT INTERRUPTER DEVICE
[B]	CONDUIT STUB OUT INTO ACCESSIBLE SPACE, 3/4 CONDUIT* MINIMUM, INSULATED BUSHING
[ZHH]	BRANCH CIRCUIT CONCEALED ABOVE CEILING OR IN WALL SLASH MARKS INDICATE NUMBER OF CONDUCTORS, SHORT SLASHES INDICATE PHASE CONDUCTOR, SWITCH LEG OR TRAVELS. LONG SLASH INDICATES NEUTRAL CONDUCTOR. Z INDICATES EQUIPMENT GROUND AND SLASH WITH DOT AT END INDICATES ISOLATED GROUNDING CONDUCTOR.

- KEY NOTES**
- 1 FIRE ALARM CONTROL PANEL (FACP) WITH DIALER PANEL ZONED TYPE. SILENT KNIGHT #SK-5208 OR APPROVED EQUAL
  - 2 #14 AWG. (TYP.)
  - 3 #18 AWG. (TYP.)

**NOTE TO CONTRACTORS**

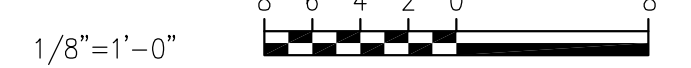
ALL BIDDING CONTRACTORS SHALL VISIT THE SITE PRIOR TO PREPARING THEIR BIDS, IF INFORMATION IS FOUND TO BE DIFFERENT THAN INDICATING IN THIS DOCUMENTS, THE CONTRACTOR SHALL QUALIFY HIS BID TO REFLECT THE COST OF PERFORMING THE WORK AS INDICATED IN THESE DOCUMENTS, AFTER OBTAINING APPROVAL FROM THE OWNER REPRESENTATIVE, THE ARCHITECT AND THE ENGINEER.



**FIRE ALARM RISER DIAGRAM**

**FIRE ALARM PLAN**

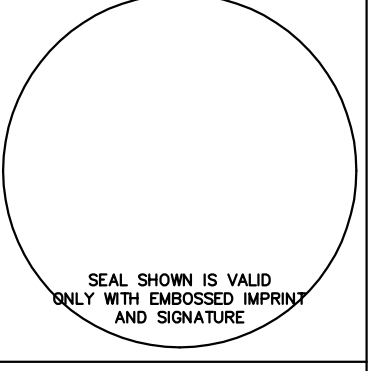
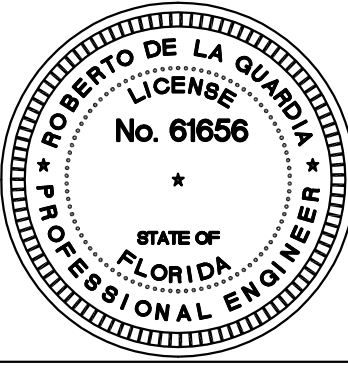
SCALE :



rojo Architecture  
 AA 0002952  
 5701 E. Hillsborough Avenue  
 Suite 1122  
 Tampa, FL 33610  
 813 630 5508 (p)  
 813 630 5518 (f)  
 (e-mail) rojo@rojoarchitecture.com  
 www.rojoarchitecture.com



CEG PROJECT NO. 10-249



**PartyCity**

COLONIAL LANDING  
 SHOPPING CENTER  
 3220 EAST COLONIAL BLVD  
 ORLANDO, FL

Mark	Date	Description
	3/2/10	PERMIT SET
Issue/Revision	PERMIT SET	
Project ID	CEGI No. 09-249	
Designed By	J.F. KILL	
Checked By	R.D.L.G.	
Issue Date:	3/2/10	
Plot Date:	3/2/10	
Permit Issue Date:	3/2/10	
Sheet Title	FIRE ALARM PLAN	

Scale: AS NOTED ON PLAN

Drawing No.

E-6