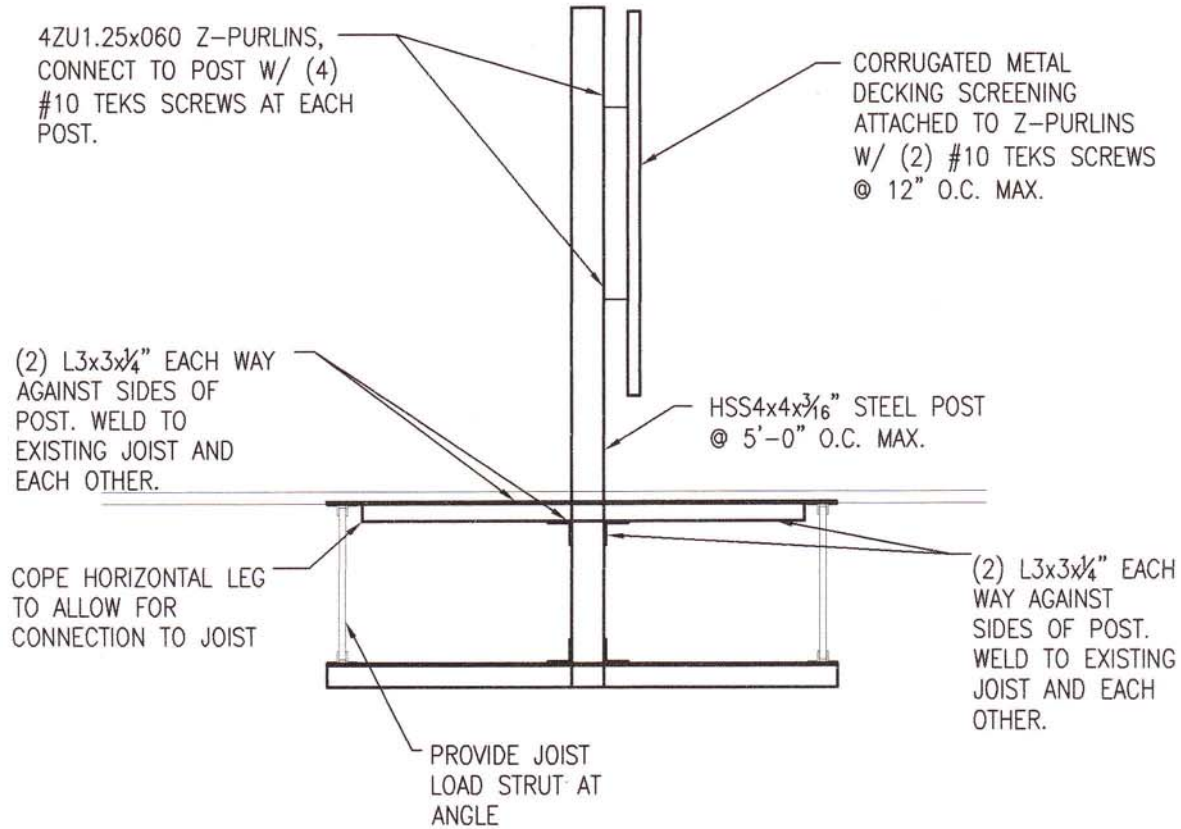


THIS DETAIL  
REPLACES 09/S3.1.



DRAWING: ROOF SCREEN POST		DRAWING NO: SK1
DRAWN BY: ARS	SCALE: NONE	DATE: 3-8-10

BOWMAN ENGINEERING, INC.  
3939 Old Flowery Branch Road  
Oakwood, GA 30566  
PHONE: (770) 297-0075  
FAX: (770) 297-0078

BOWMAN PROJECT NO: 05084H  
PETCO ANIMAL SUPPLIES STORES  
213 CROSSROADS BOULEVARD  
CARY, NC