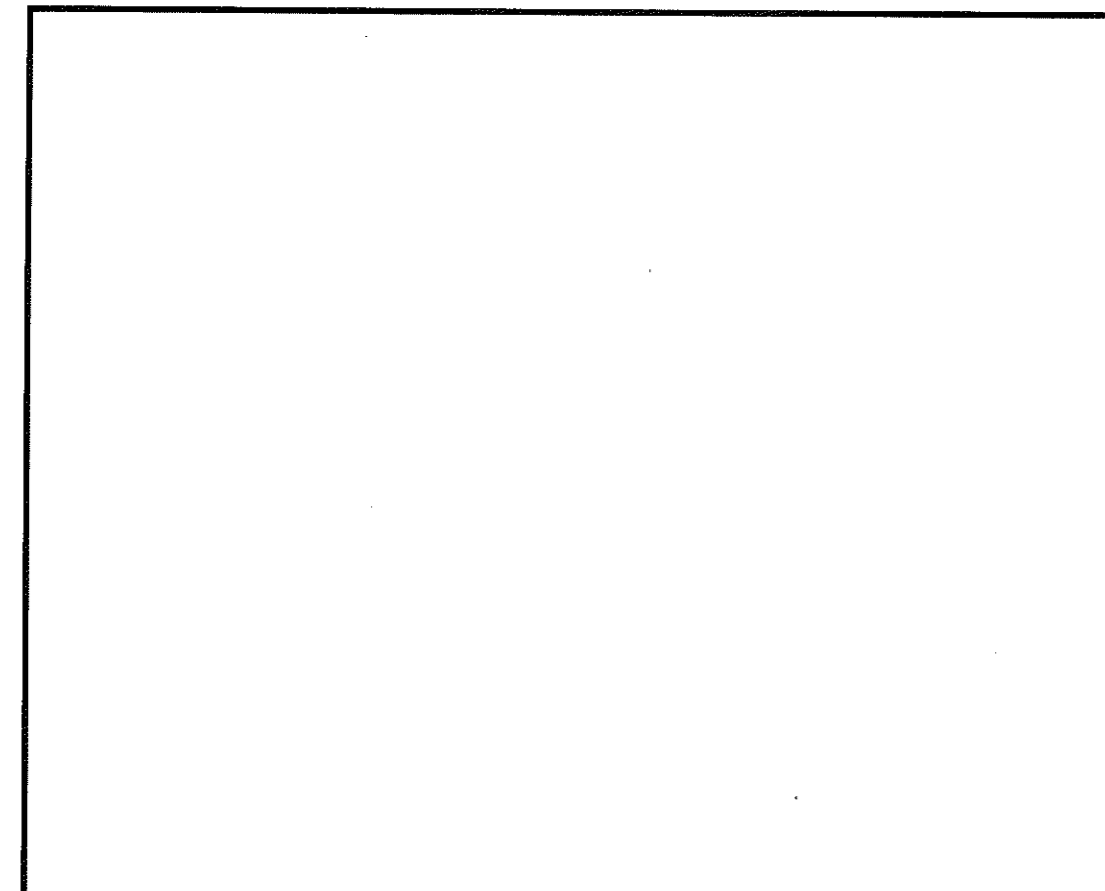
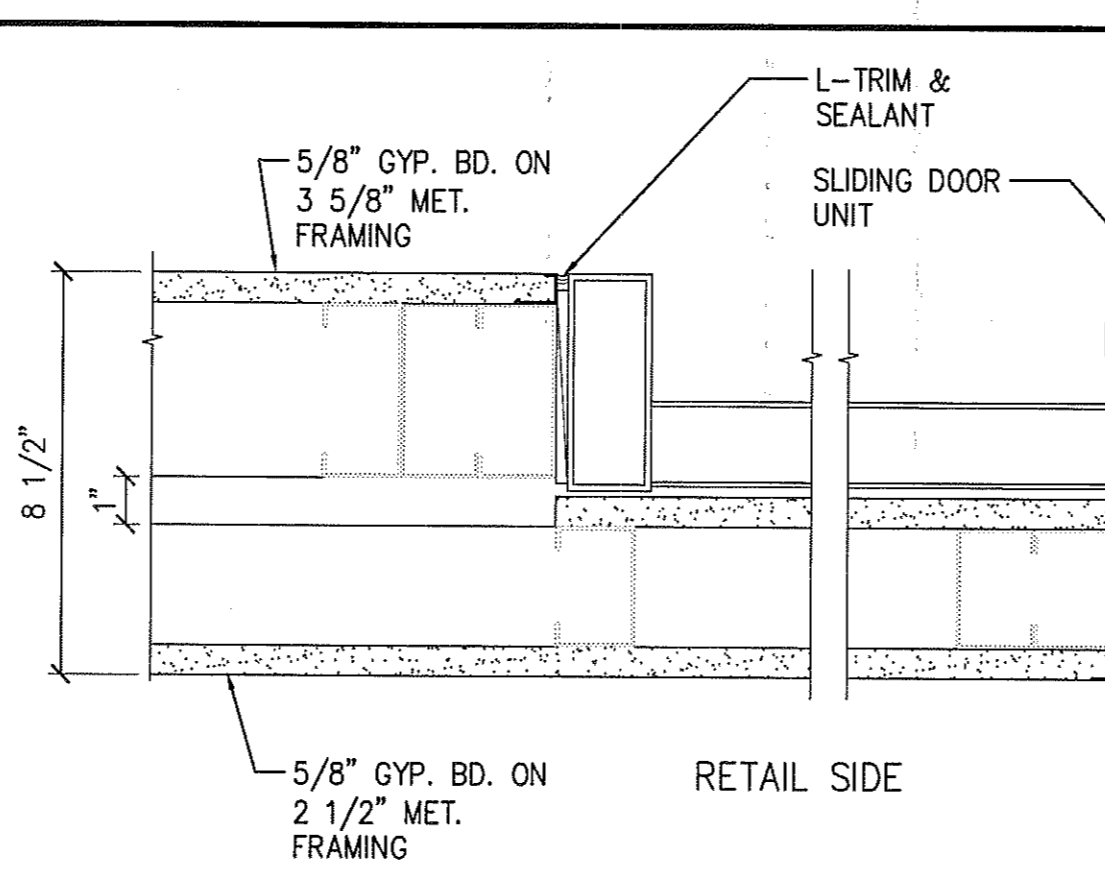


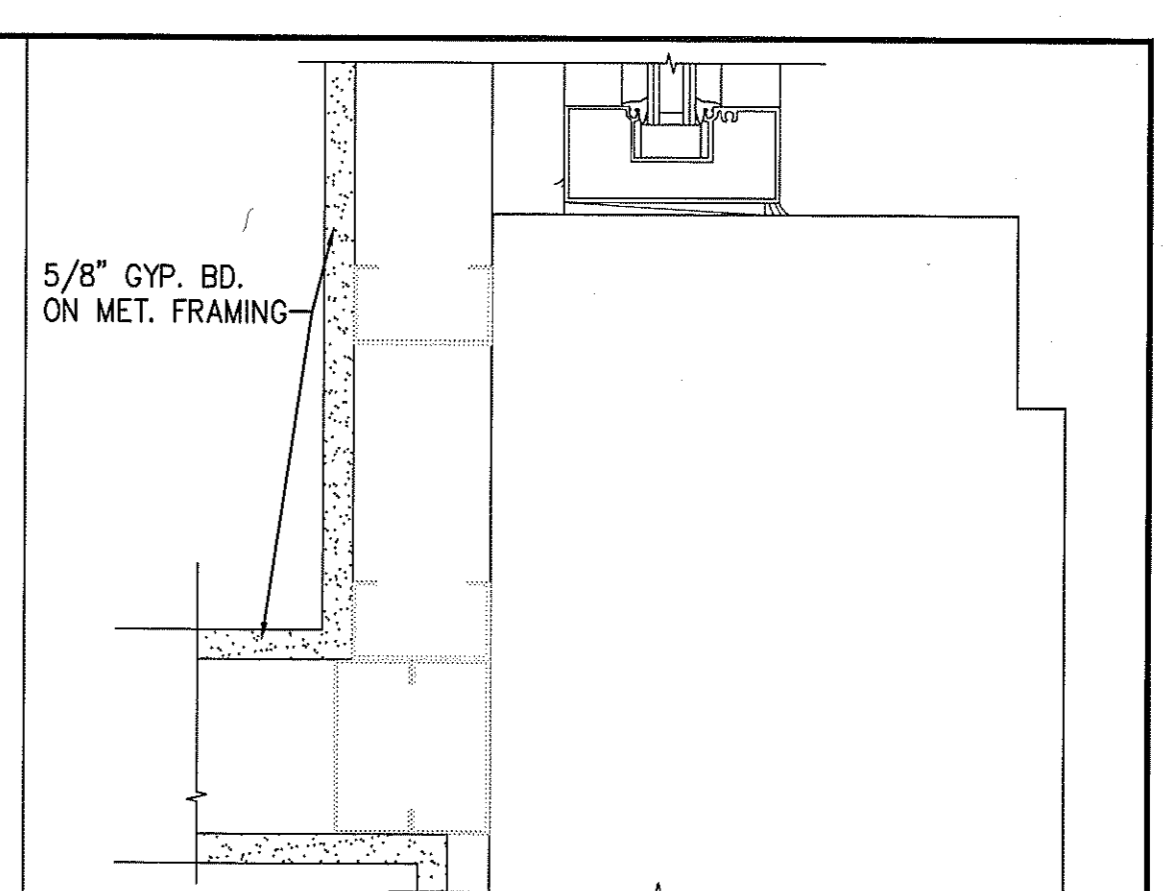
CONTRACTORS SHALL VERIFY EXISTING CONDITIONS AND CORRELATE DIMENSIONS PRIOR TO PROVIDING THE WORK DETAILED IN THESE DRAWINGS. AND SHALL PROMPTLY NOTIFY THE ARCHITECT OF ANY DISCREPANCIES.
 COPYRIGHT SBLM ARCHITECTS PC. UNAUTHORIZED REPRODUCTION OR OTHER USE OF THIS DRAWING IS PROHIBITED.



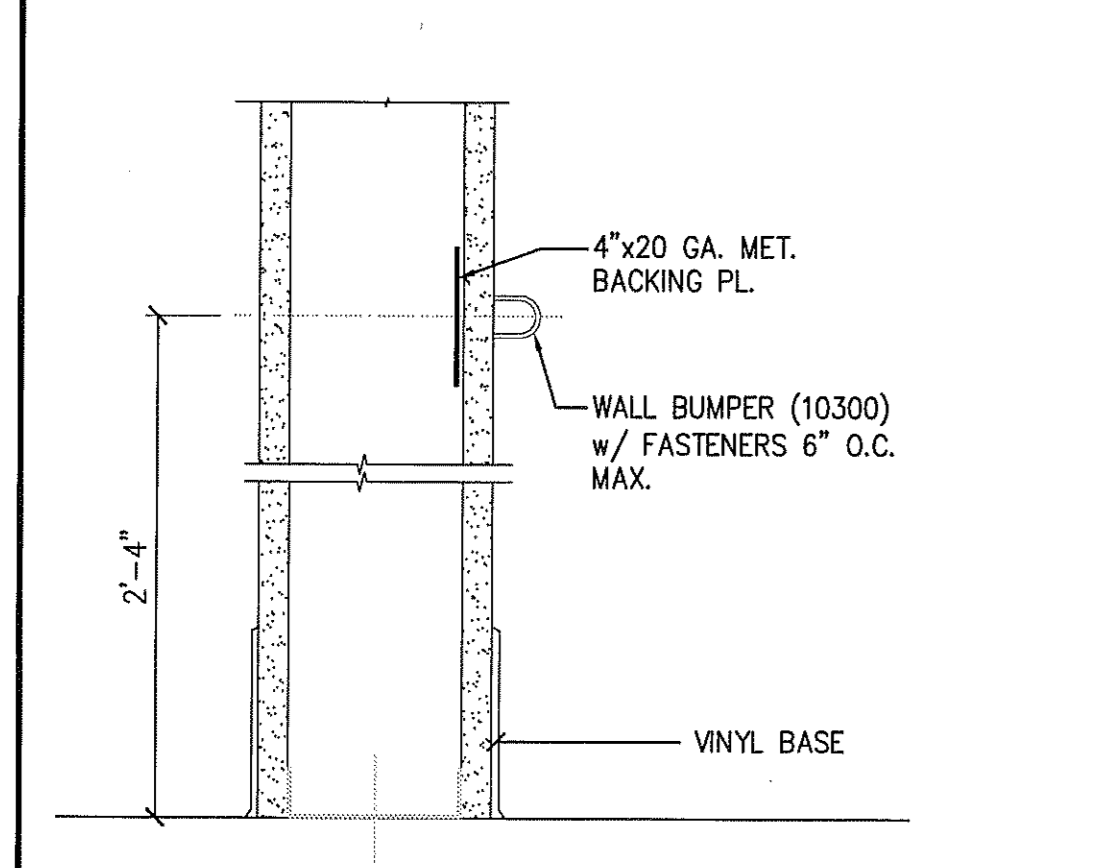
SLIDING DOOR HEAD DETAIL 19
 REF.: A7.1 SOURCE: 3"=1'-0"



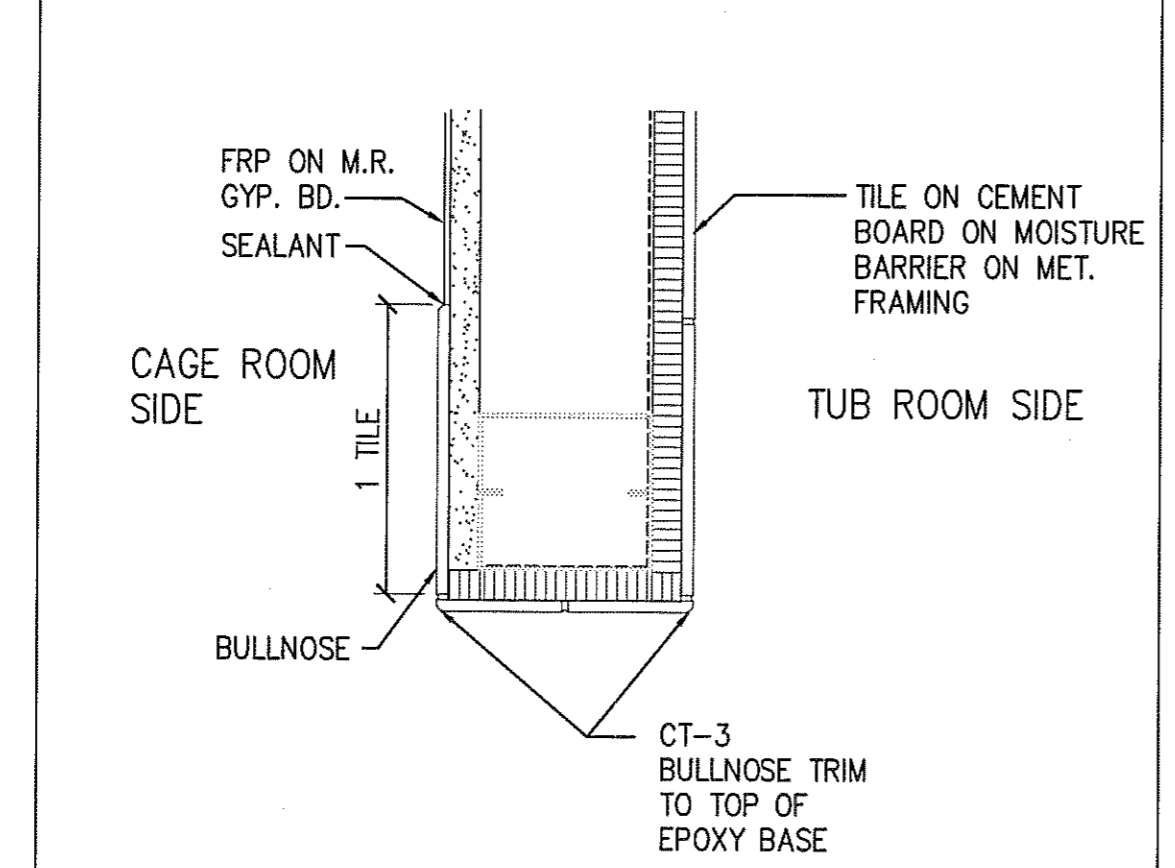
SLIDING DOOR DETAIL 17
 REF.: A7.1 SOURCE: 3"=1'-0"



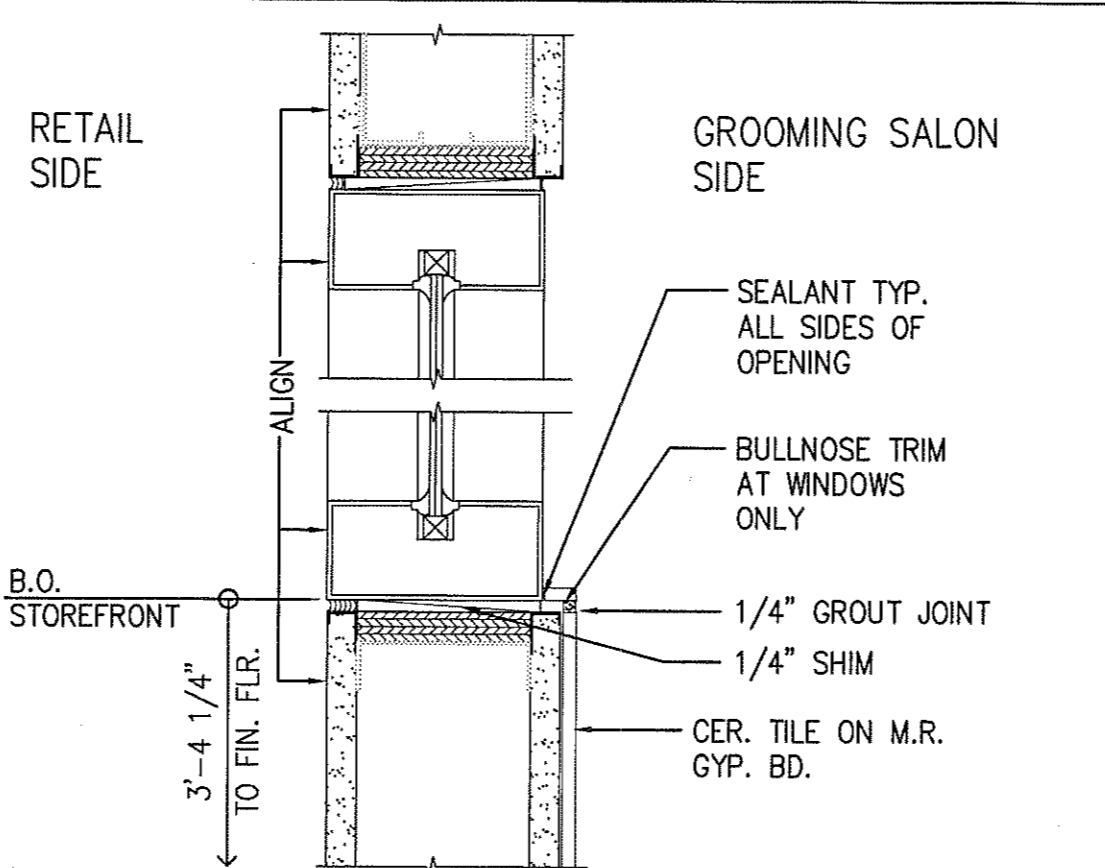
STOREFRONT PLAN DETAIL 16
 REF.: A7.1 SOURCE: 3"=1'-0"



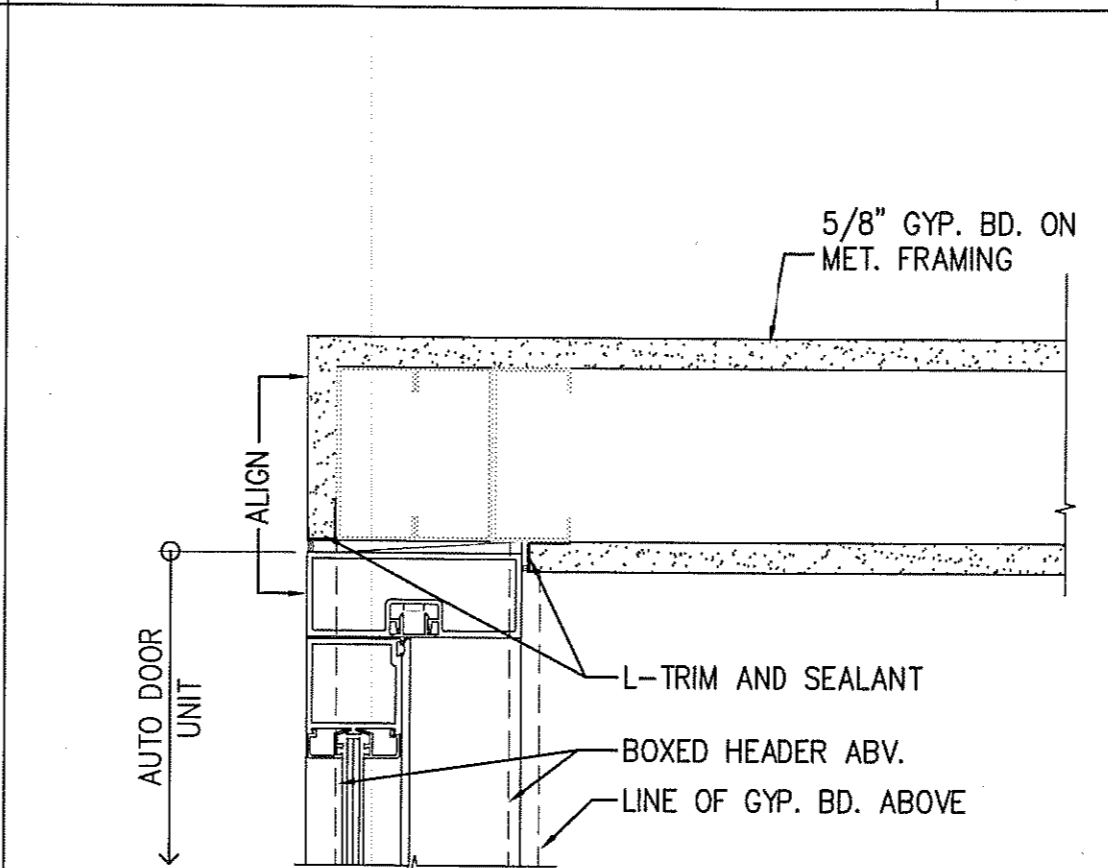
WALL BUMPER DETAIL 15
 REF.: A7.1 SOURCE: 3"=1'-0"



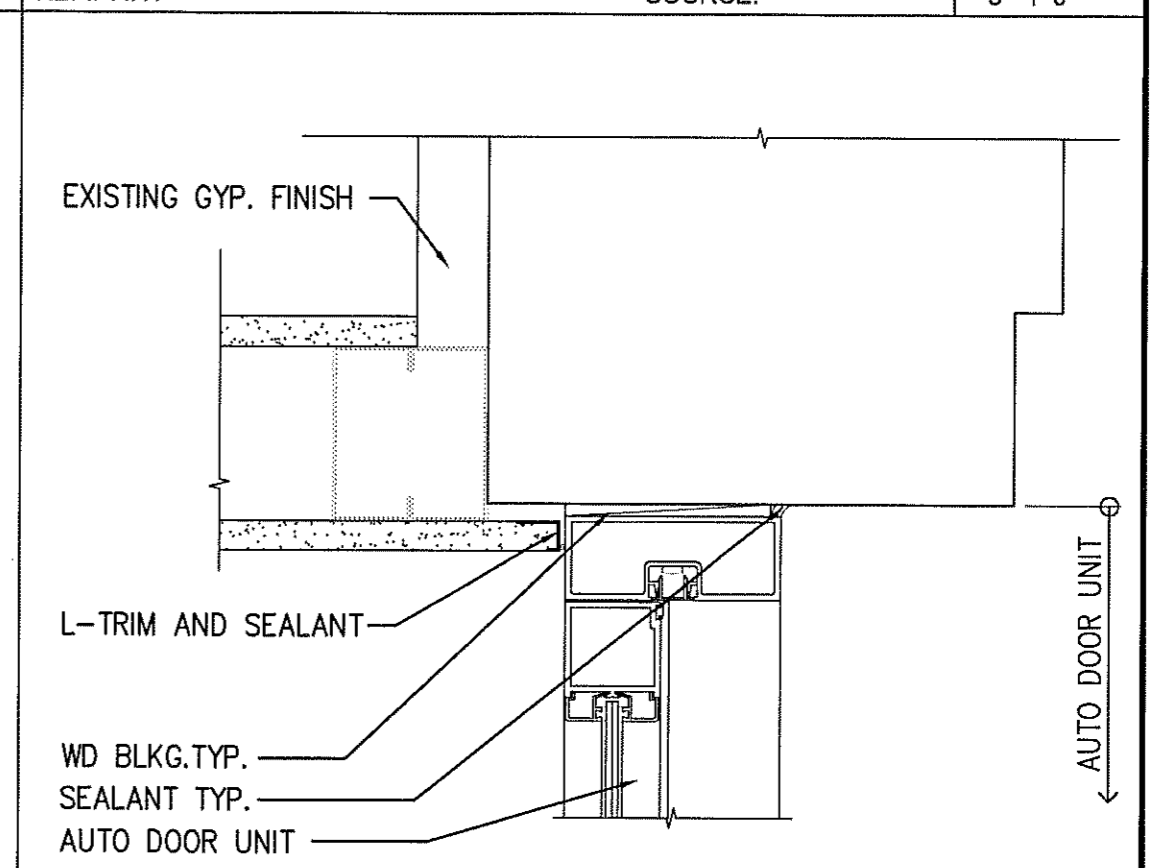
TUB ROOM OPENING PLAN DETAIL 14
 REF.: A7.1 SOURCE: 3"=1'-0"



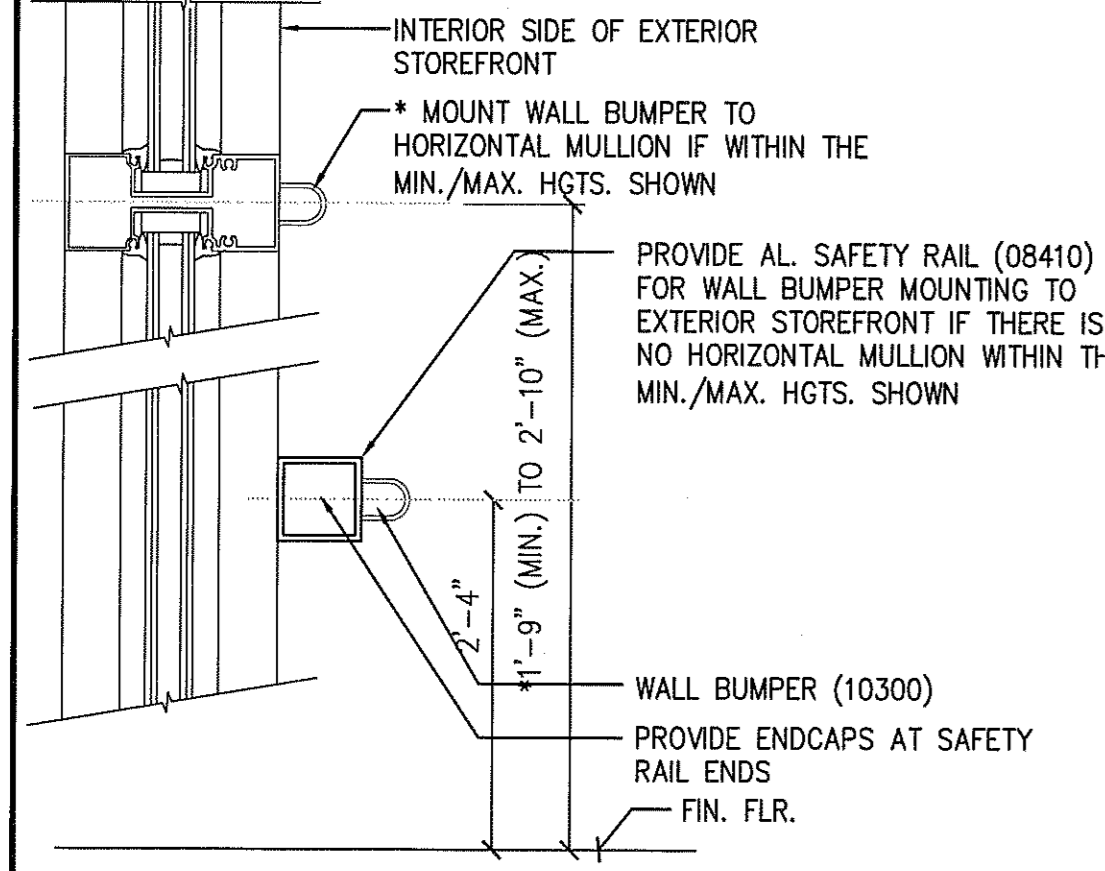
GROOMING SALON/RECEP. SECTION DTL 13
 REF.: A7.1 SOURCE: 3"=1'-0"



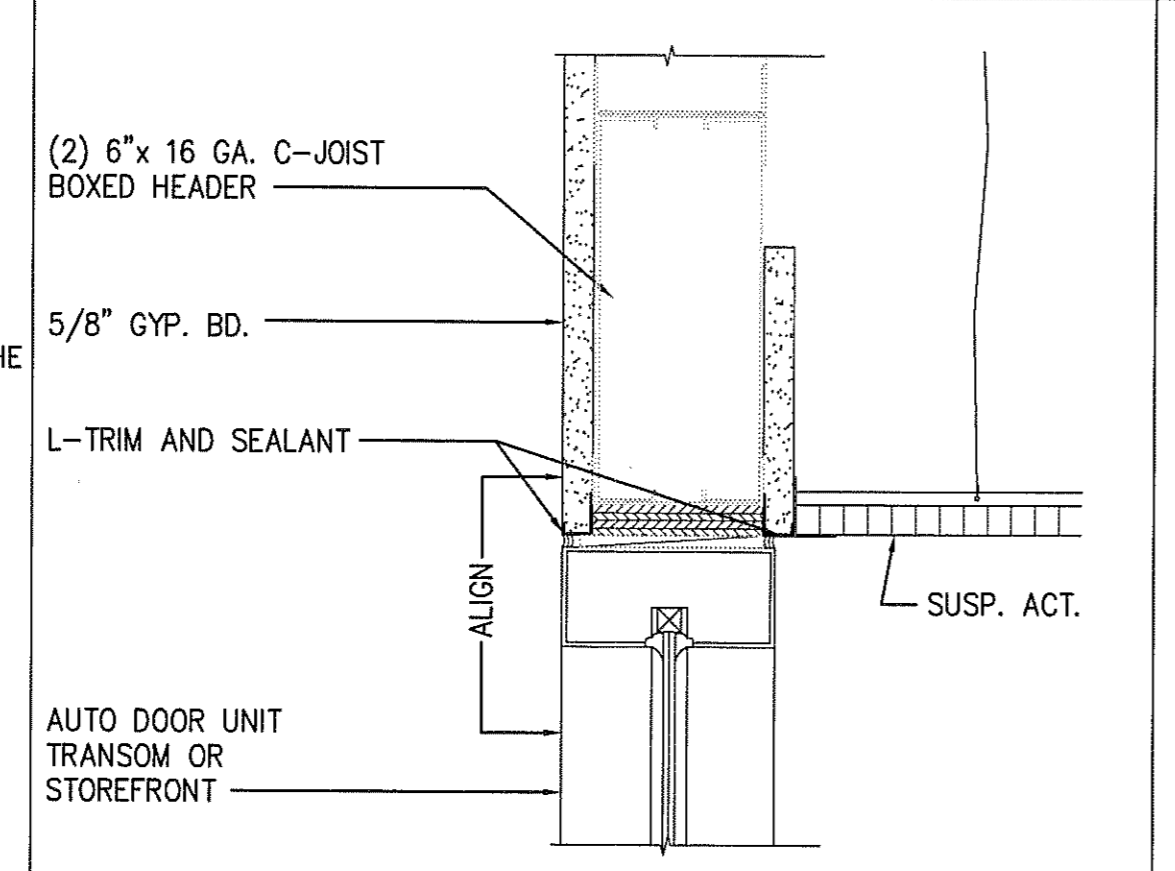
VESTIBULE PLAN DETAIL 12
 REF.: A7.1 SOURCE: 3"=1'-0"



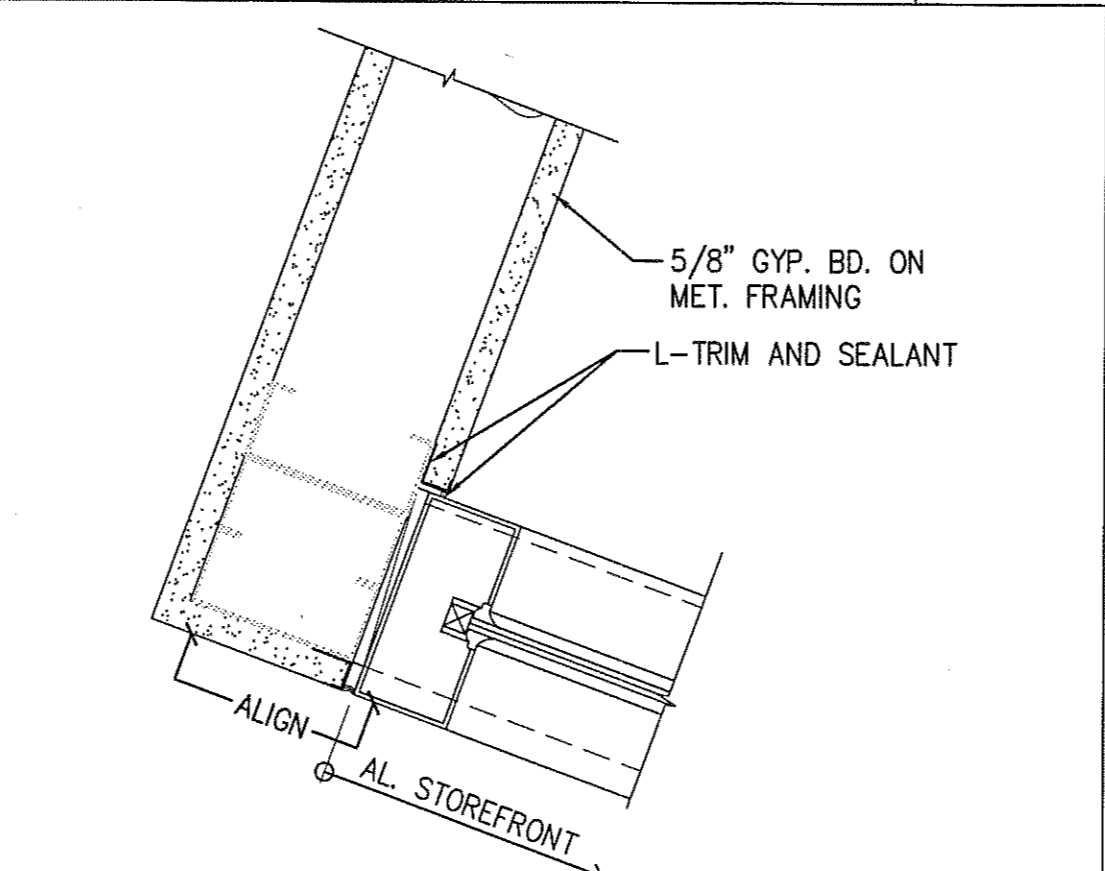
VESTIBULE PLAN DETAIL 11
 REF.: A7.1 SOURCE: 3"=1'-0"



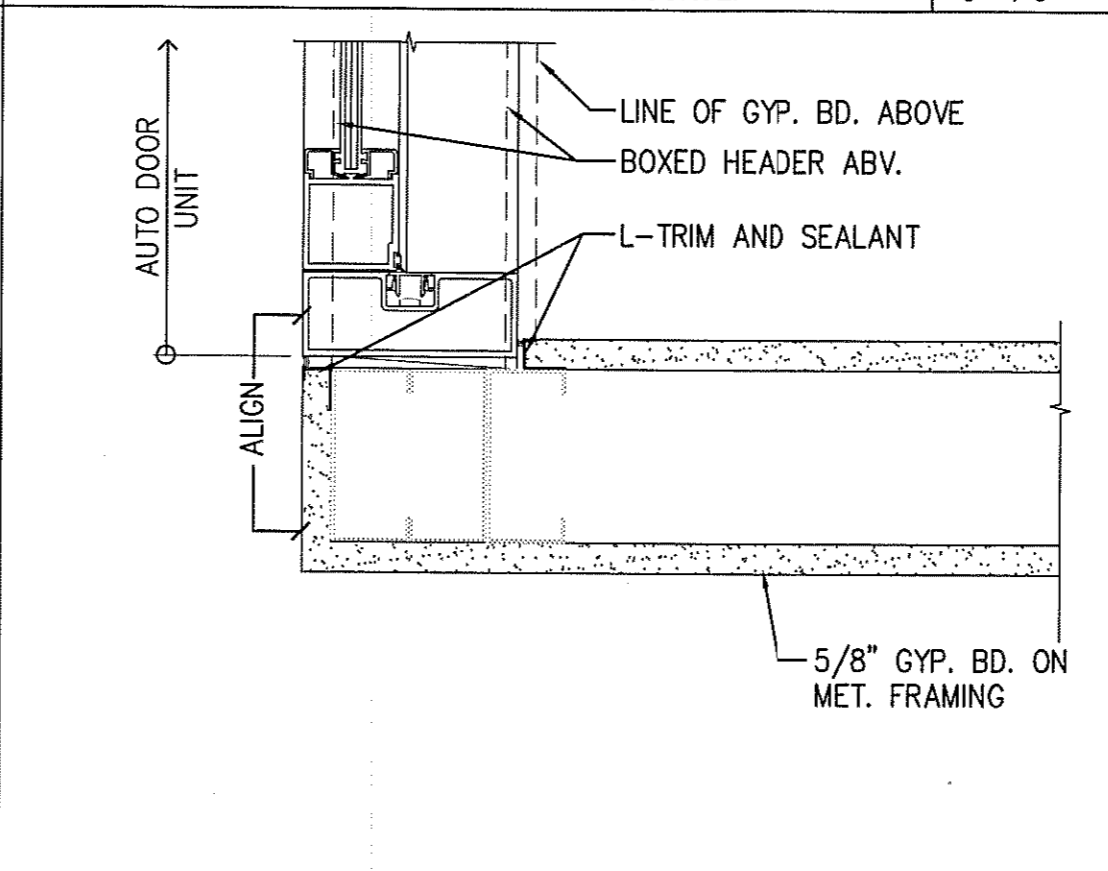
STOREFRONT BUMPER DETAIL 10
 REF.: A7.1 SOURCE: 3"=1'-0"



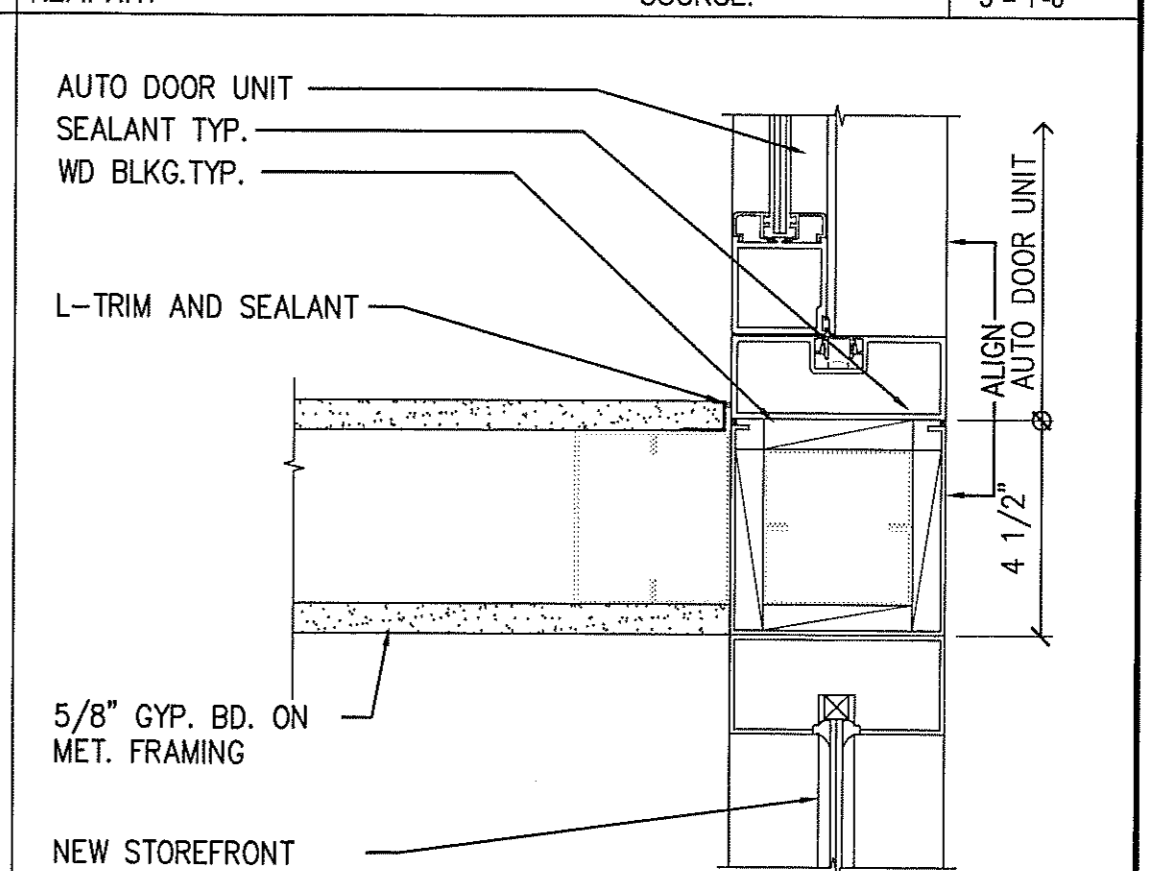
VESTIBULE SECTION DETAIL 09
 REF.: A7.1 SOURCE: 3"=1'-0"



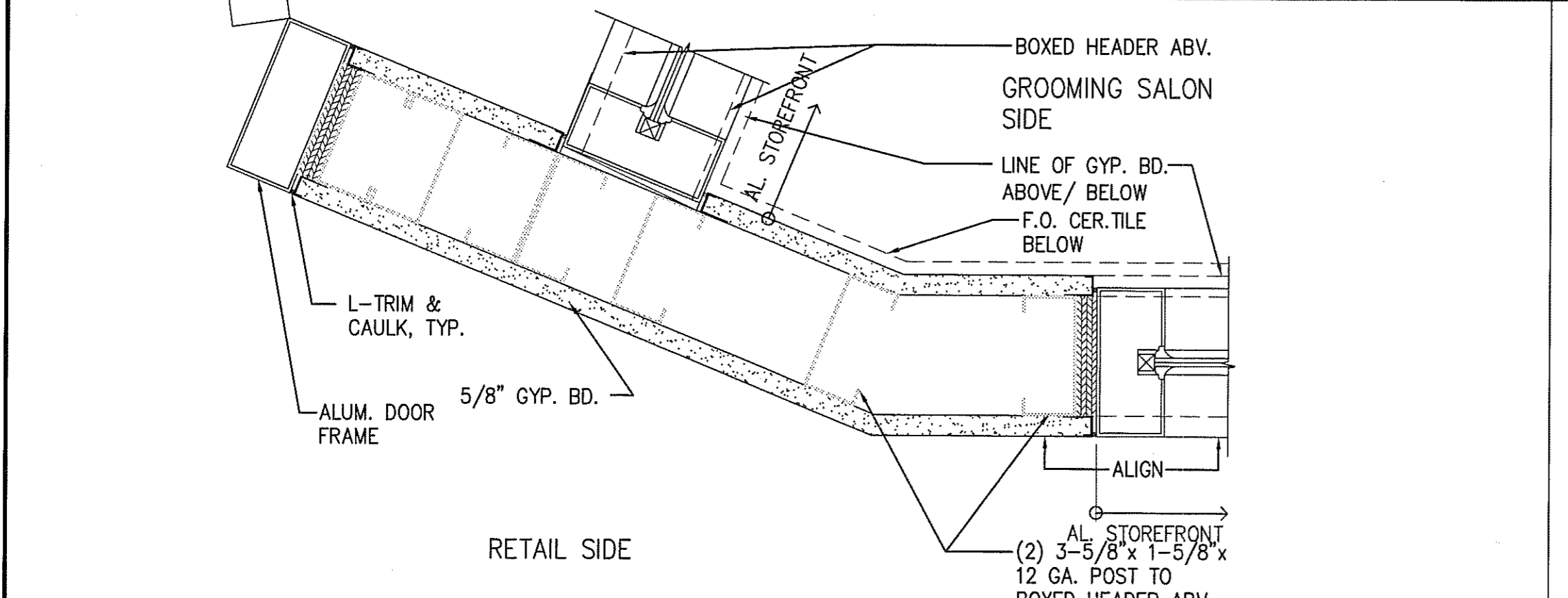
GROOMING RECEPTION PLAN DETAIL 08
 REF.: A7.1 SOURCE: 3"=1'-0"



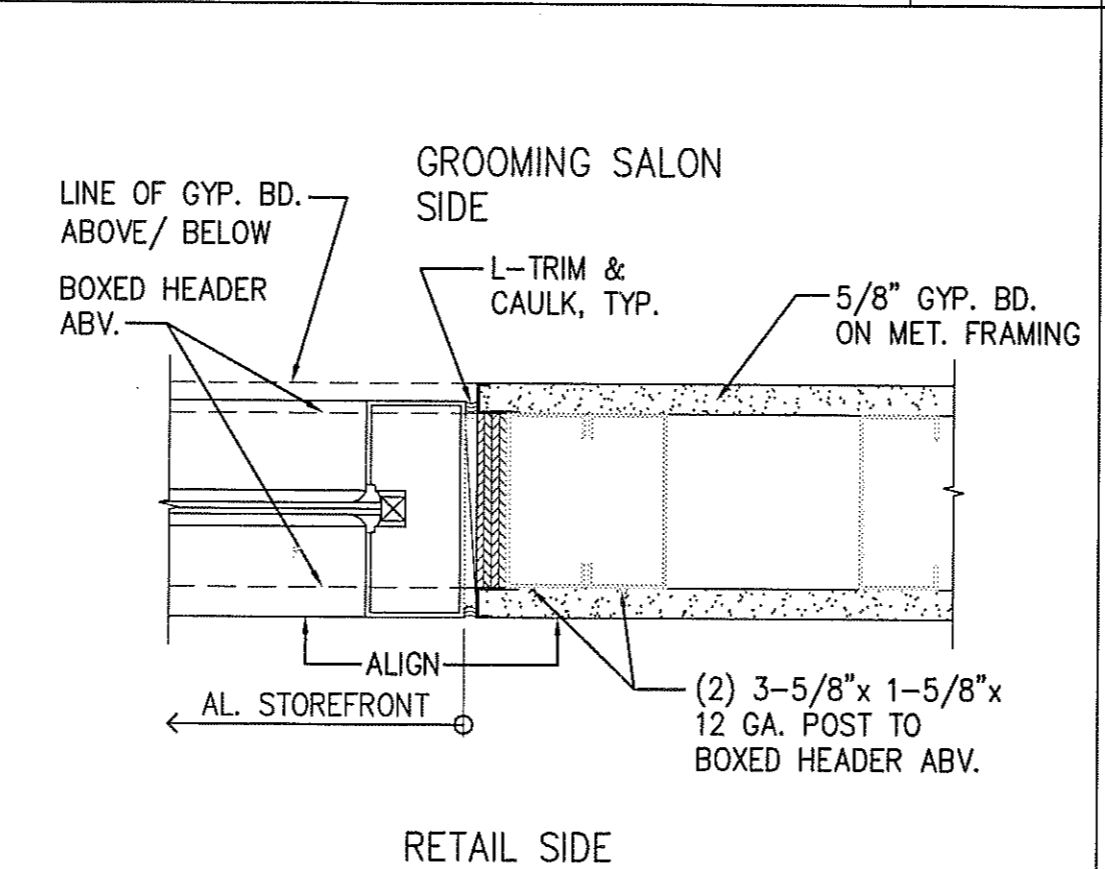
VESTIBULE PLAN DETAIL 07
 REF.: A7.1 SOURCE: 3"=1'-0"



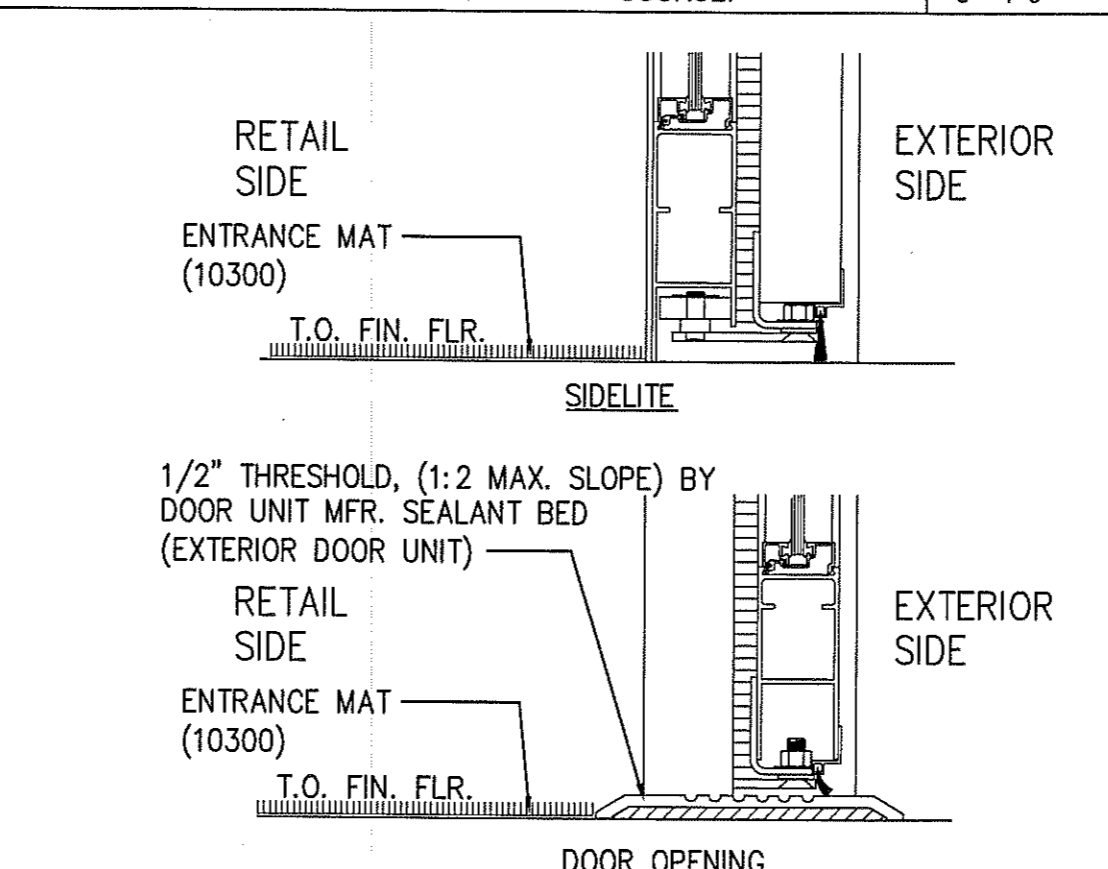
VESTIBULE PLAN DETAIL 06
 REF.: A7.1 SOURCE: 3"=1'-0"



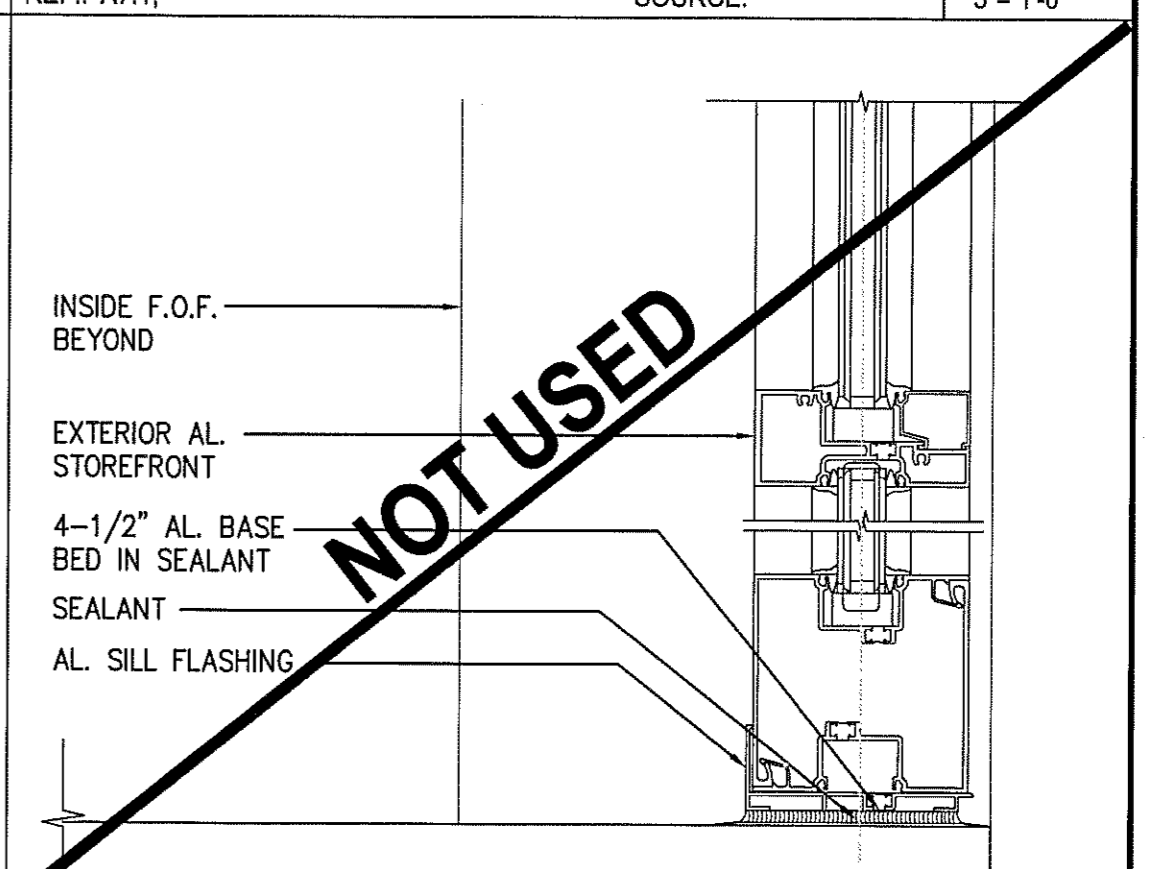
GROOMING SALON PLAN DETAIL 04
 REF.: 01/A7.1 SOURCE: 3"=1'-0"



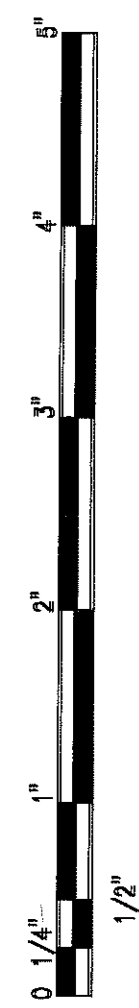
GROOMING SALON PLAN DETAIL 03
 REF.: 01/A7.1 SOURCE: 3"=1'-0"



ENTRANCE DOOR SECTION DETAILS 02
 REF.: 01/A7.1 SOURCE: 3"=1'-0"



STOREFRONT SECTION DETAIL 01
 REF.: A2.1 SOURCE: 3"=1'-0"



SBLM Architects
 131 West 20th Street
 New York, New York 10011
 Telephone 212.985.9000
 Fax 212.675.4226
 www.sblm.com

PETCO ANIMAL SUPPLIES STORES, INC.
 PETCO "CARY, NC"
 213 CROSSROADS BOULEVARD
 CARY, NC 27518

DISTRIBUTION:	DATE:
75% SUBMISSION	01-29-10
98% SUBMISSION	02-25-10
ISSUED FOR CONSTRUCTION	02-26-10

SBLM JOB#	PETCO P.M. JOB #
09147	09277
DESIGNER	CHECKED:
FR	DF

DRAWING TITLE:
INTERIOR DETAILS
A8.1