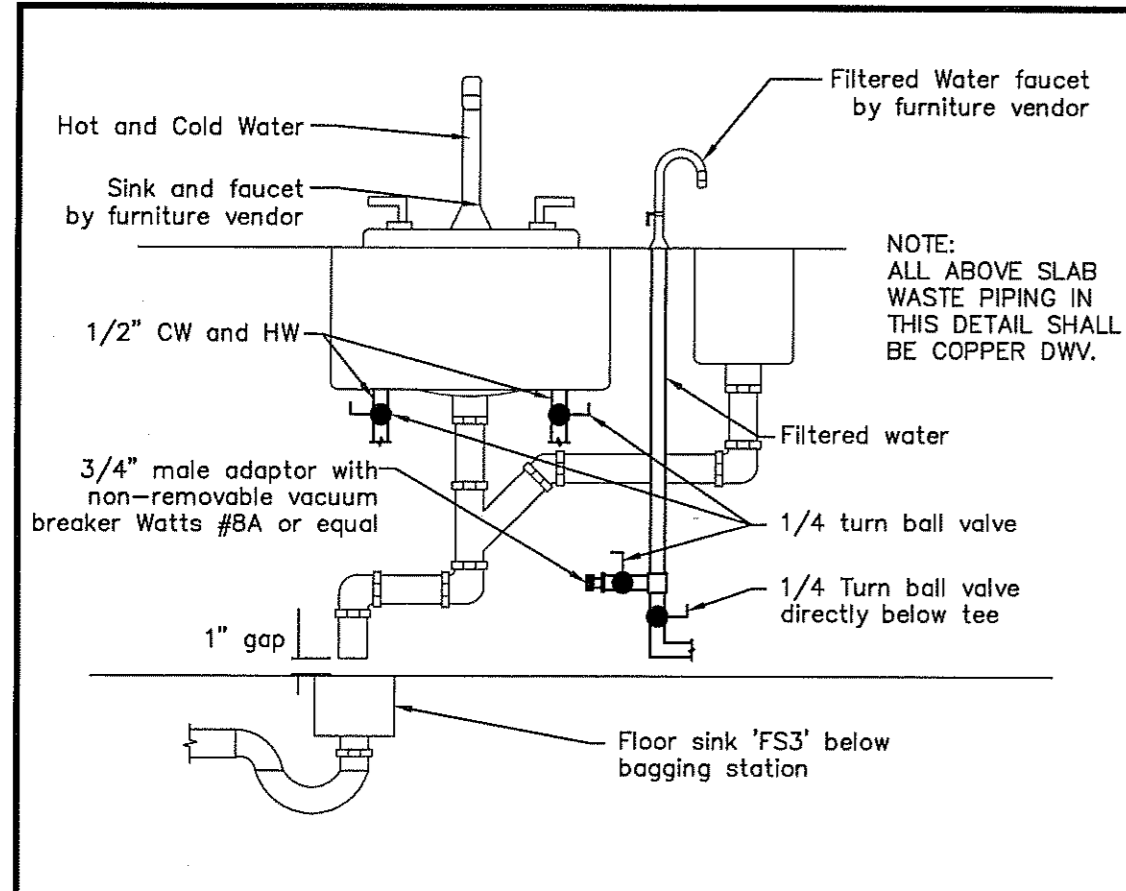
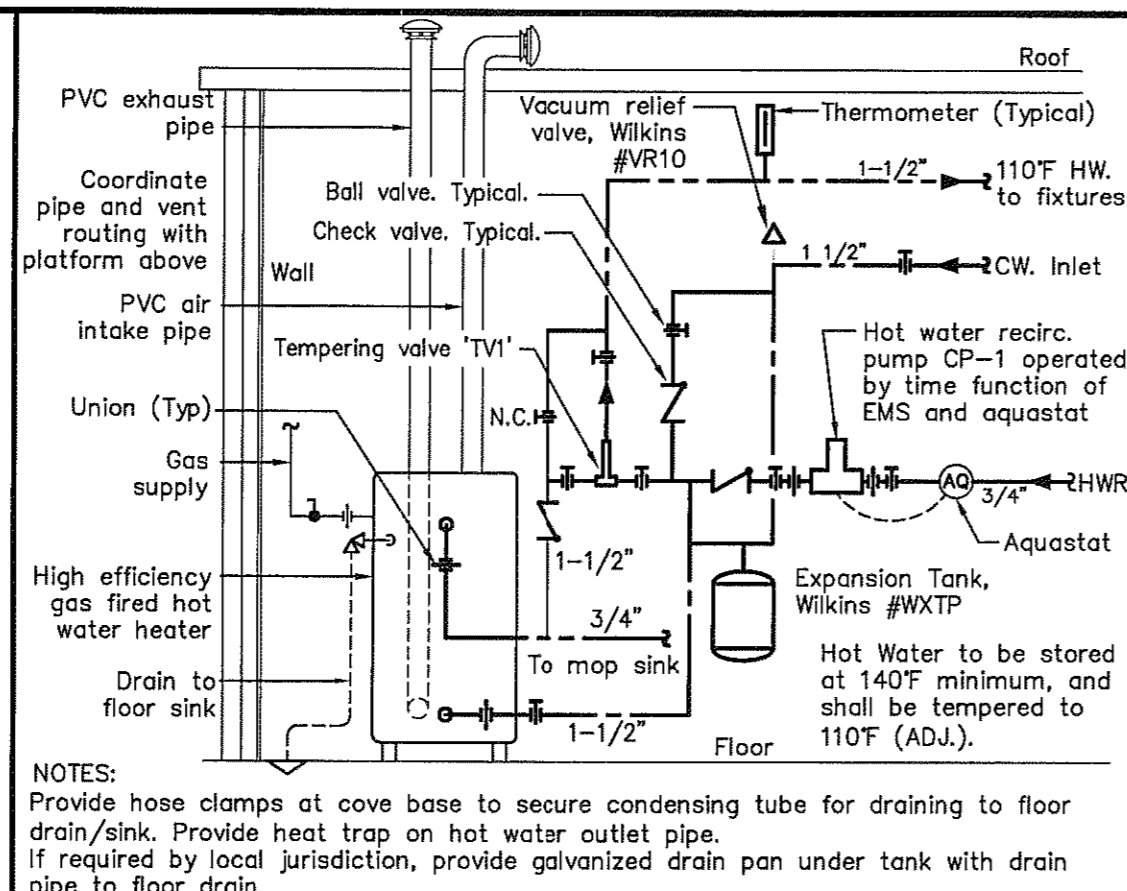


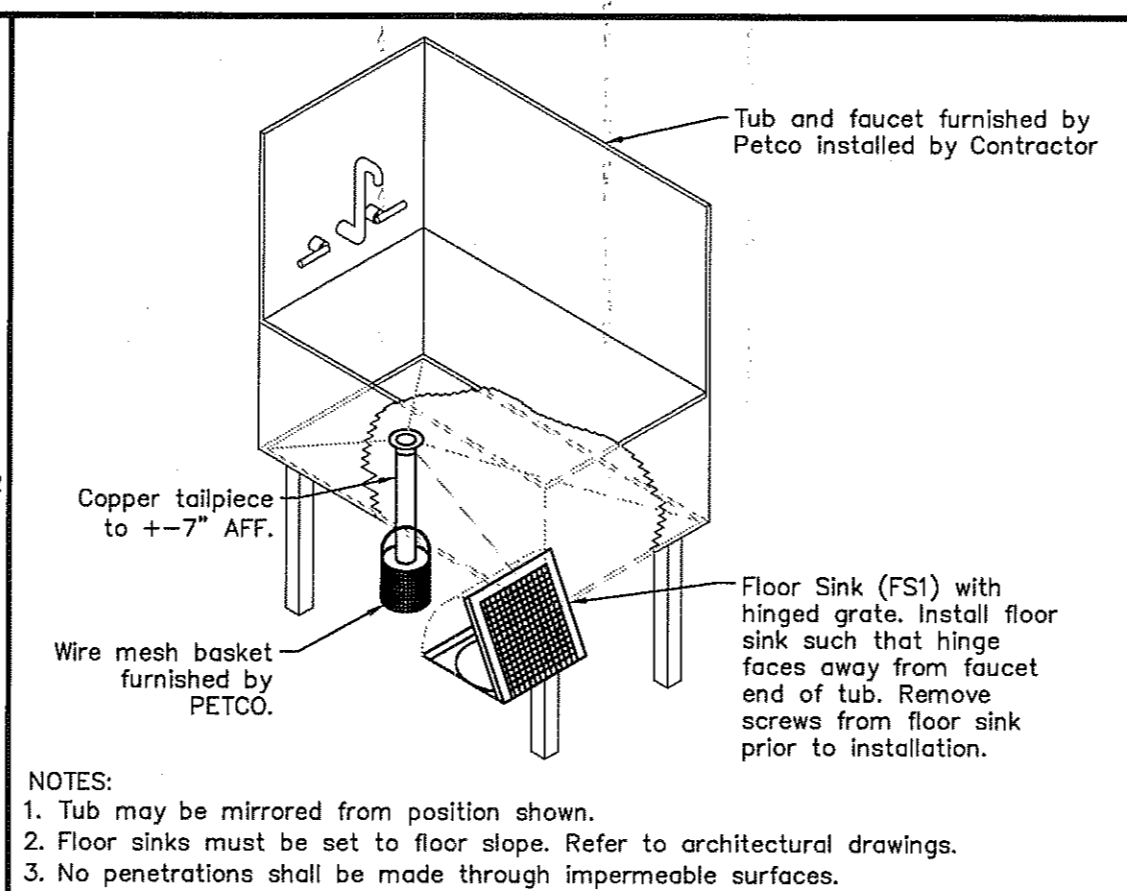
CONTRACTOR(S) SHALL VERIFY EXISTING CONDITIONS AND CORRELATE DIMENSIONS PRIOR TO PROVIDING THE WORK DETAILED IN THESE DRAWINGS. AND SHALL PROMPTLY NOTIFY THE ARCHITECT OF ANY DISCREPANCIES. COPYRIGHT © SBLM, ARCHITECTS PC, UNAUTHORIZED REPRODUCTION OR OTHER USE OF THIS DRAWING IS PROHIBITED.



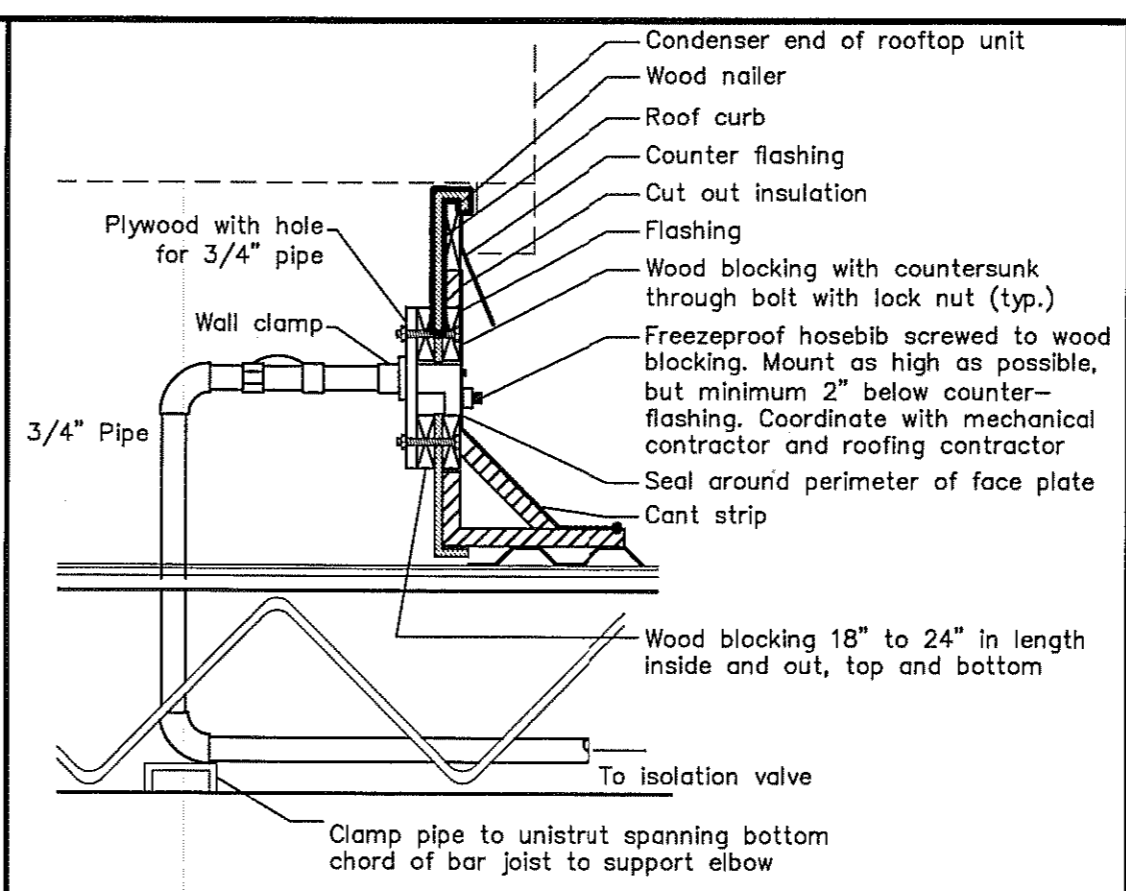
**BAGGING STATION PLUMBING DETAIL** 20  
REF.: 12/P3.1, 12/P3.2  
NO SCALE



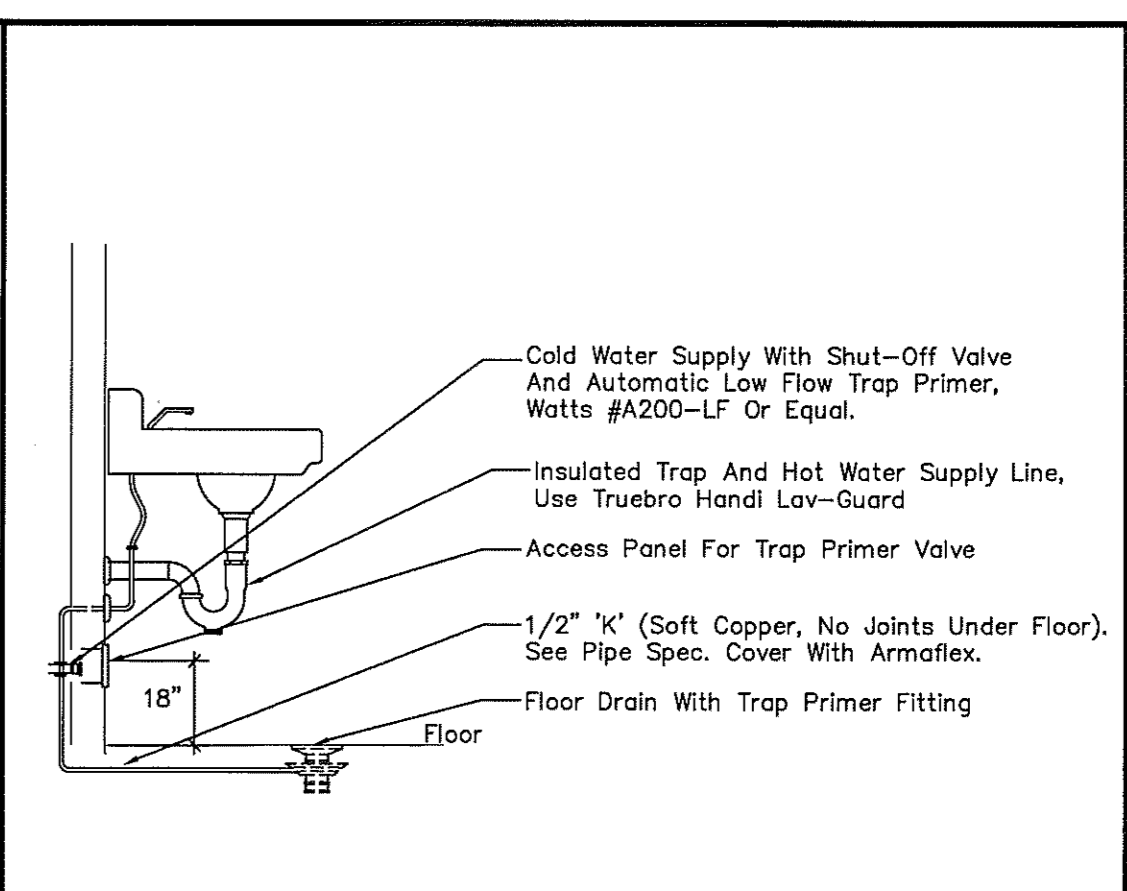
**WATER HEATER DETAIL** 19  
REF.: 04/P3.1, 04/P3.2  
NO SCALE



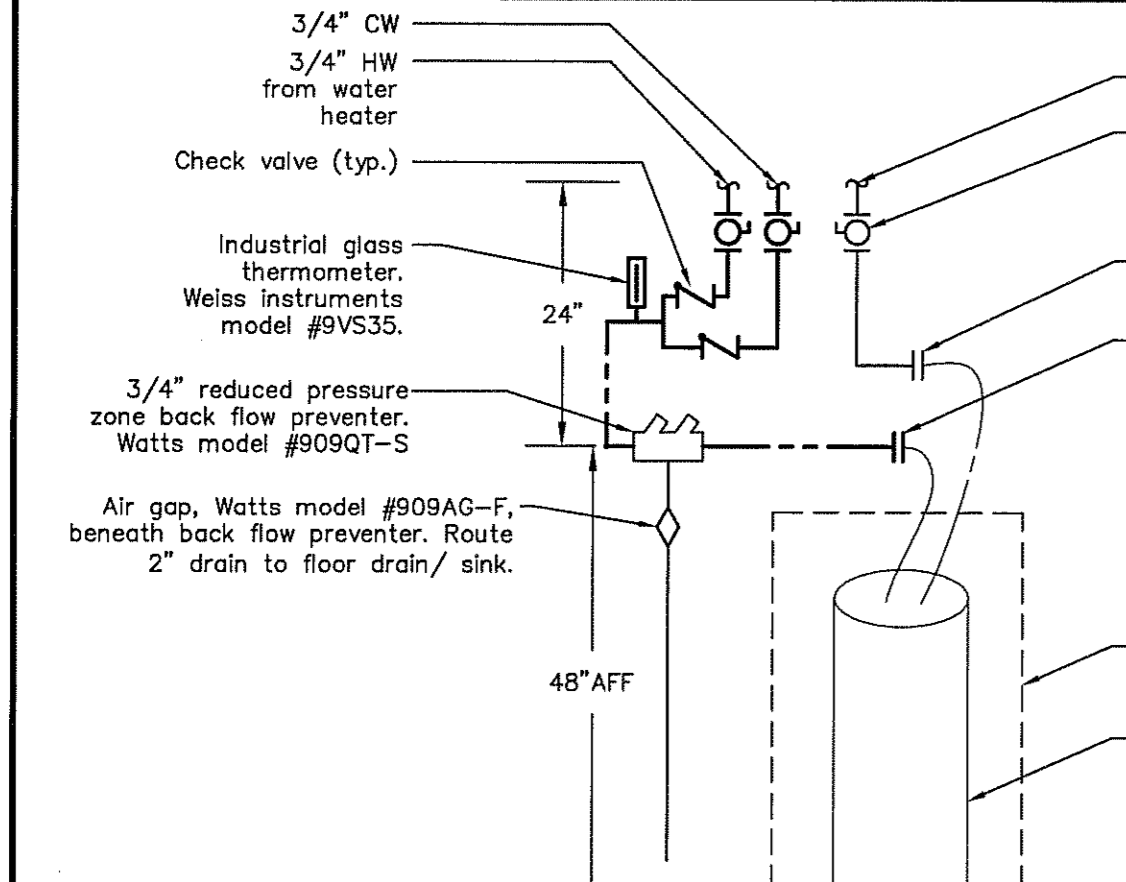
**GROOMING TUB INTERCEPTOR DETAIL** 18  
REF.: 02/P3.1, 02/P3.2  
NO SCALE



**HOSE BIB DETAIL** 17  
REF.:  
NO SCALE

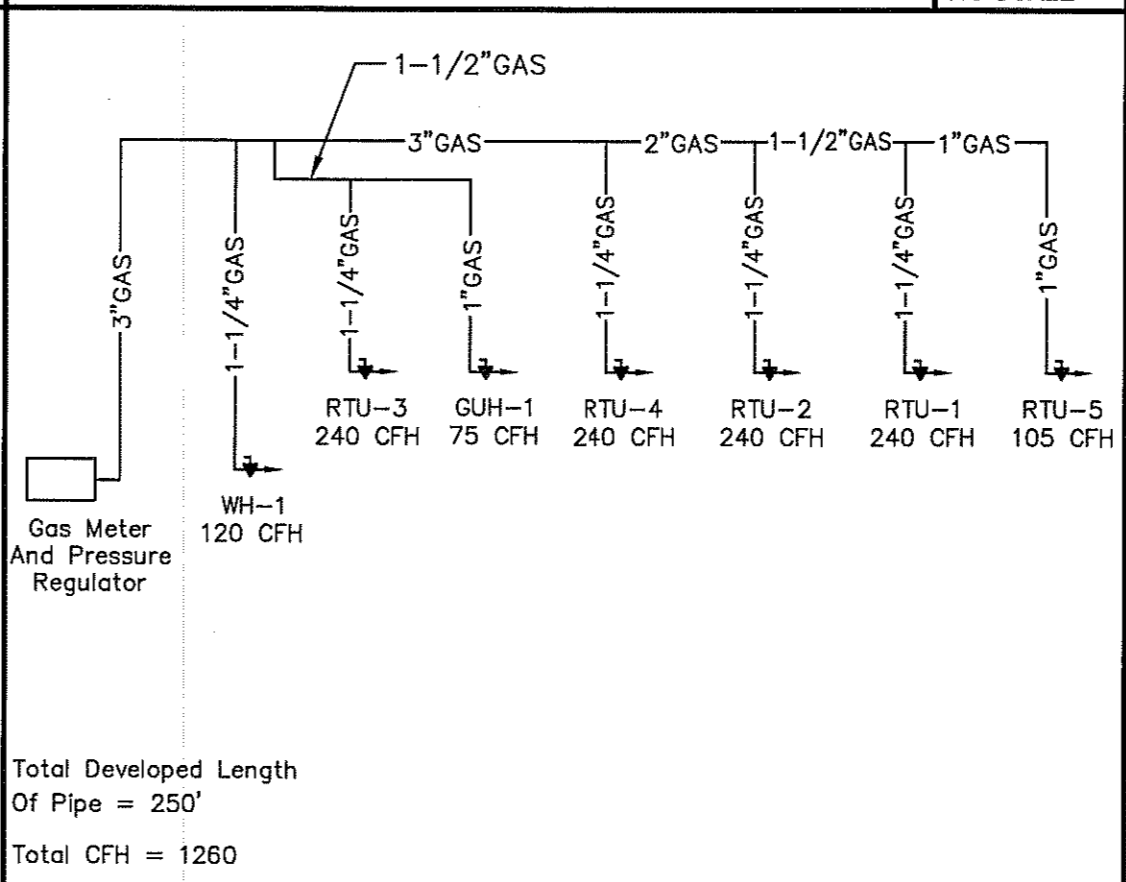


**TRAP PRIMER DETAIL** 16  
REF.: 04/P3.1  
NO SCALE

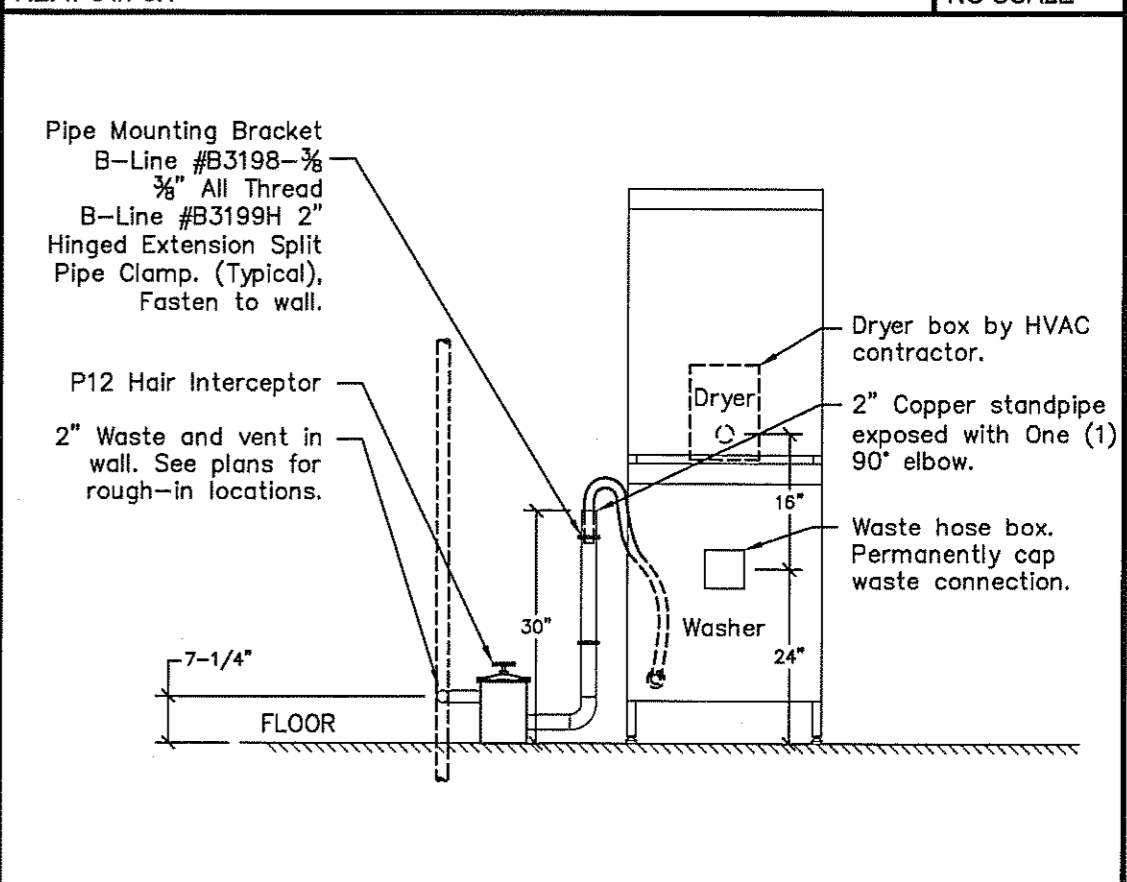


**WATER FILTER DETAIL** 14  
REF.: 04/P3.2  
NO SCALE

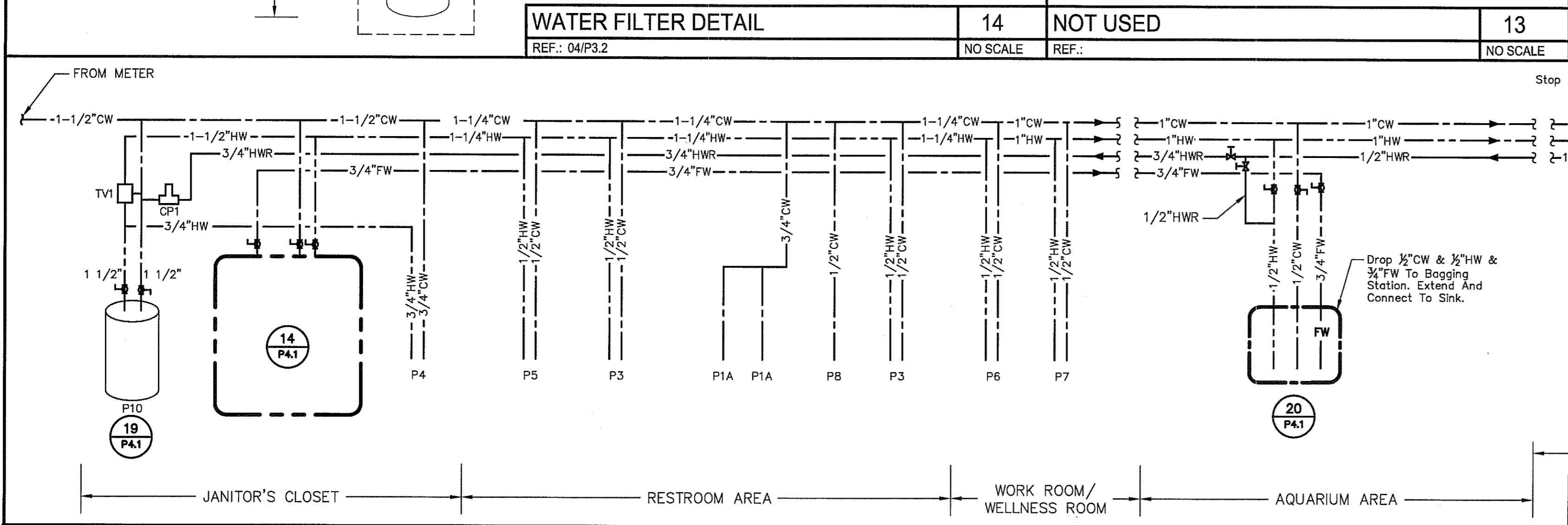
**NOT USED** 13  
REF.:  
NO SCALE



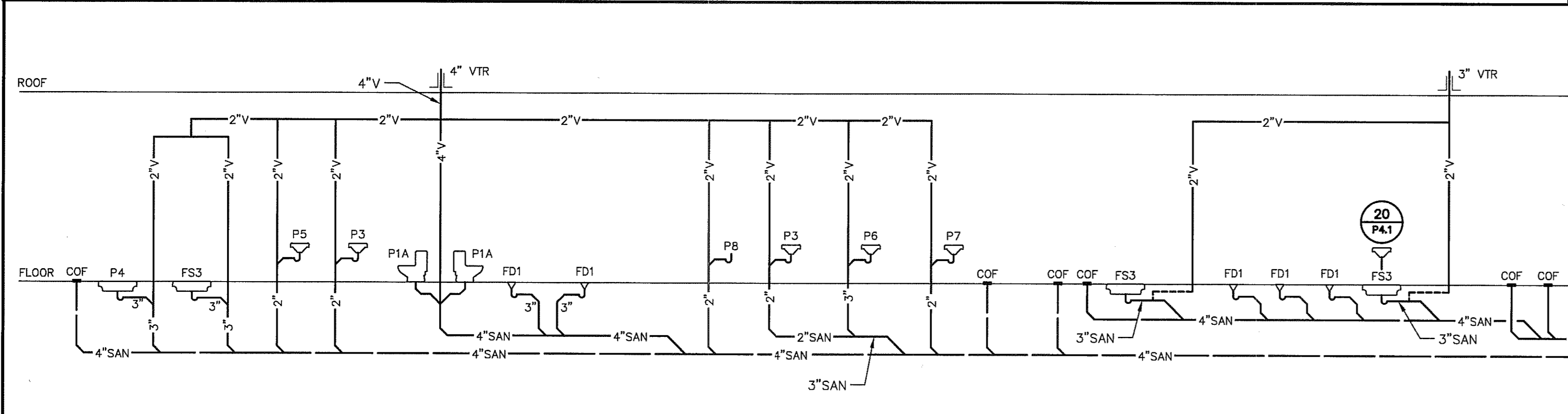
**GAS PIPING RISER DIAGRAM** 12  
REF.:  
NO SCALE



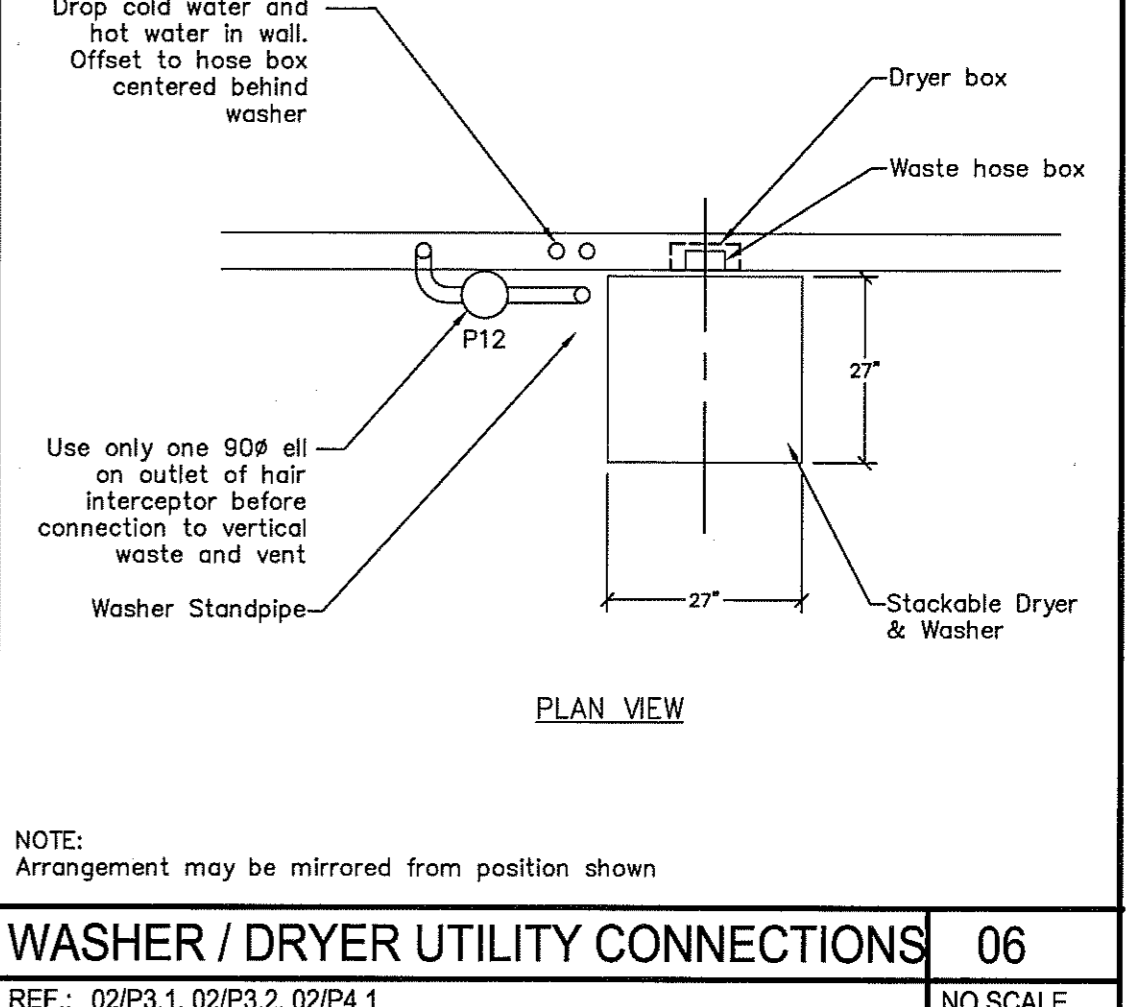
**WASHER / DRYER UTILITY CONNECTIONS** 06  
REF.: 02/P3.1, 02/P3.2, 02/P4.1  
NO SCALE



**WATER PIPING RISER DIAGRAM** 07  
REF.:  
NO SCALE



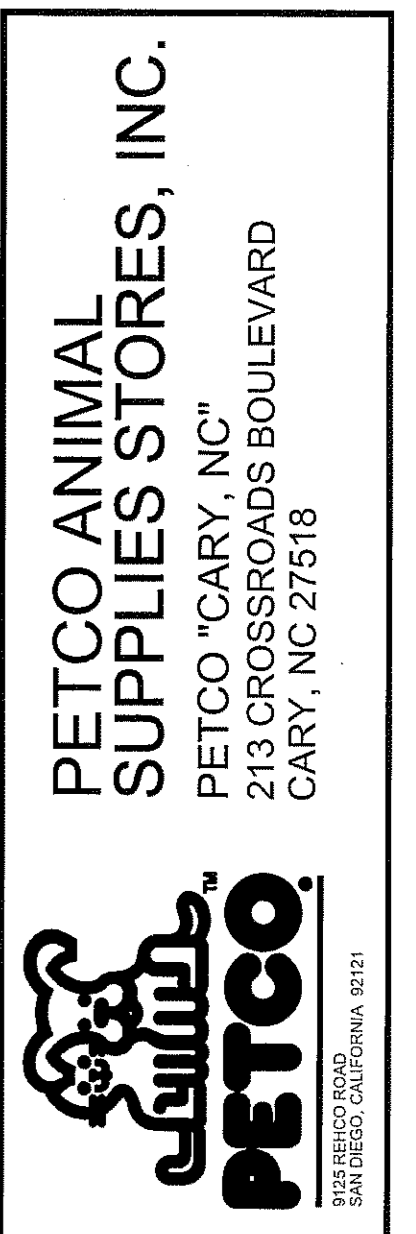
**SANITARY PIPING RISER DIAGRAM** 02  
REF.:  
NO SCALE



**KEY PLAN** 01  
REF.:  
NO SCALE

MEP Engineer of Record  
Randall A. Nelson, P.E.  
14817 West 95th Street  
Lenexa, Kansas 66215  
Phone 813 322 5150

PETCO ANIMAL SUPPLIES STORES, INC.  
PETCO "CARY, NC"  
213 CROSSROADS BOULEVARD  
CARY, NC 27518



DISTRIBUTION:	DATE:
25% SUBMISSION	01-15-10
75% SUBMISSION	01-29-10
98% SUBMISSION	02-25-10
ISSUED FOR CONSTRUCTION	02-26-10
SEAL JOB#	PETCO P.M. JOB#
09147	09277
DRAWN:	CHECKED:
MTH/JCC/UMM	BJT

DRAWING TITLE:  
**PLUMBING RISER DIAGRAMS AND DETAILS**  
**P4.1**

