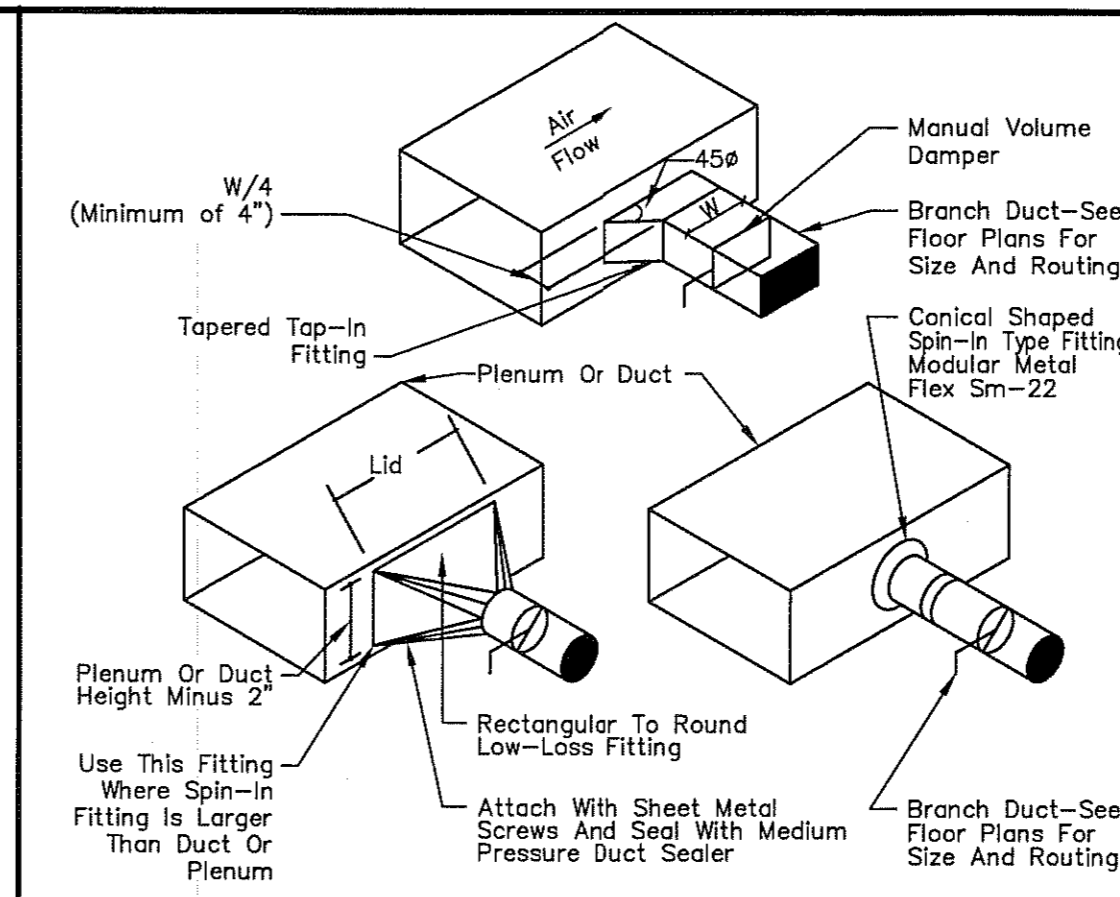
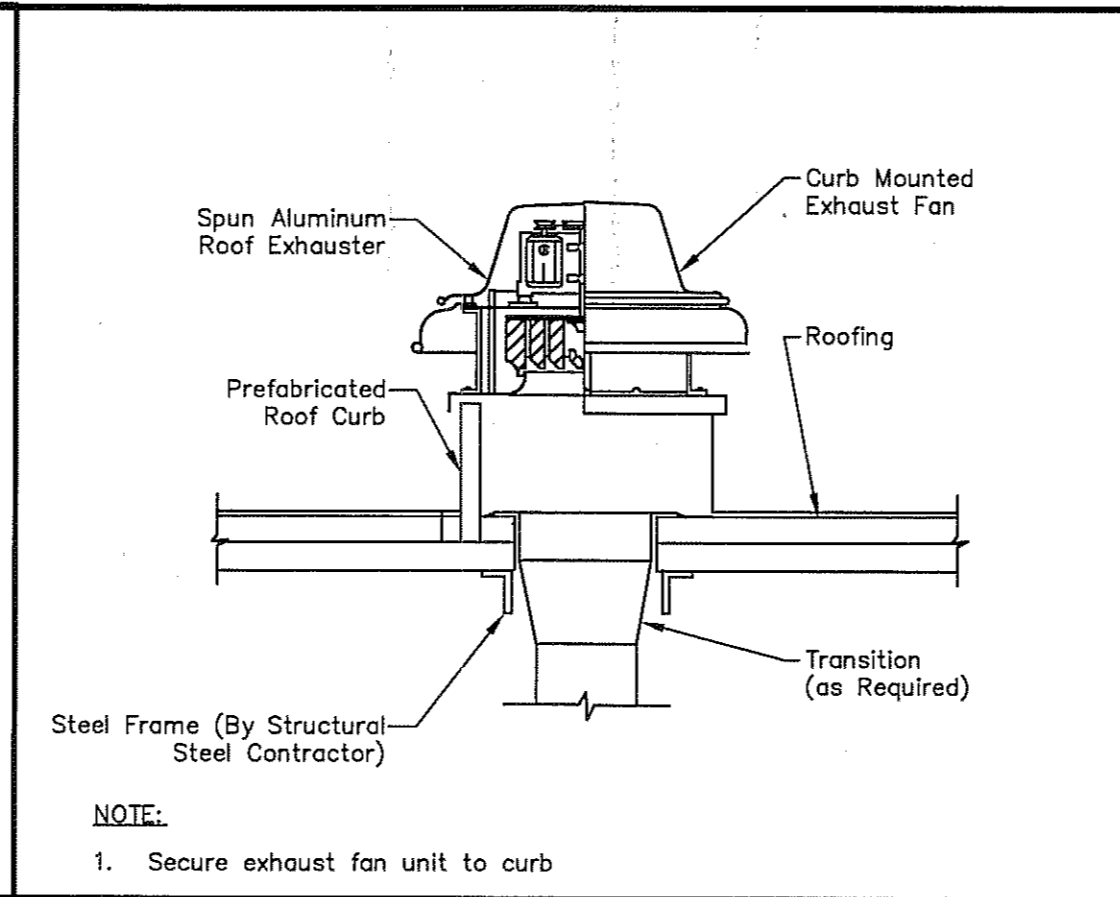
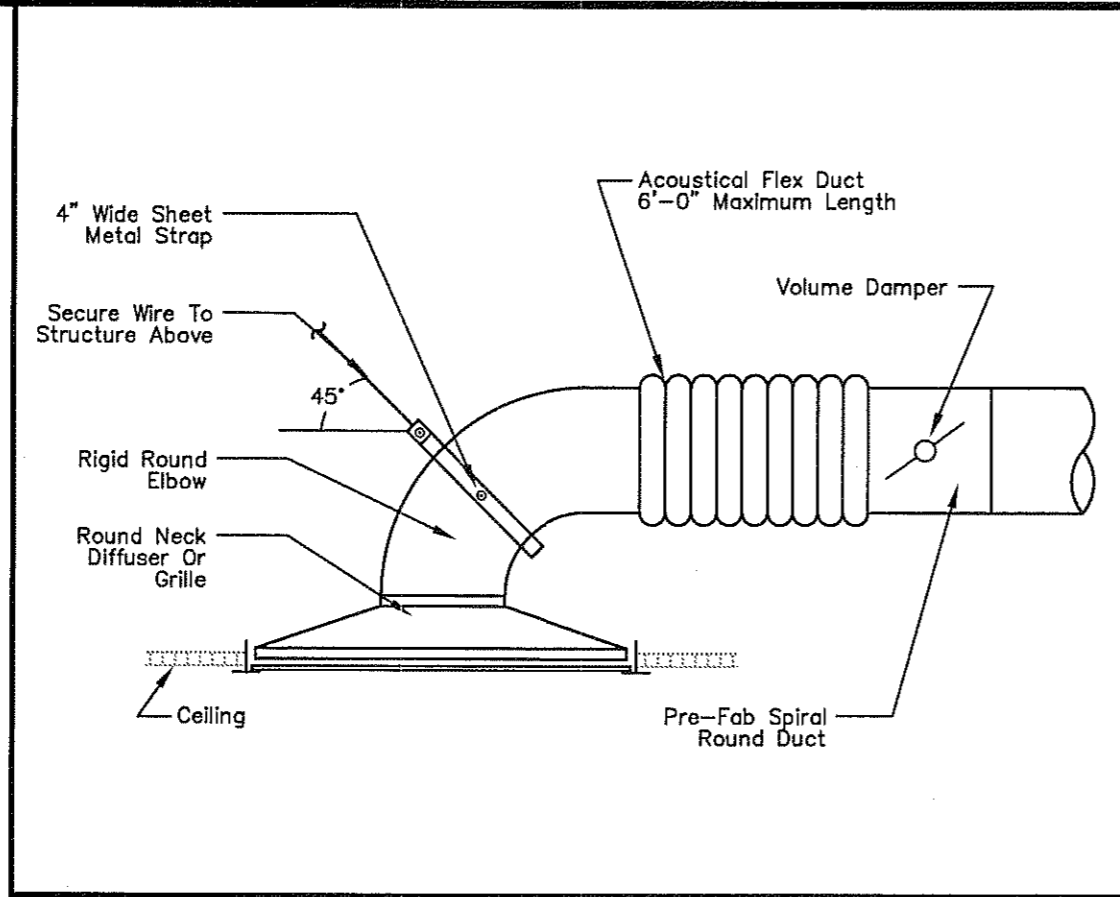
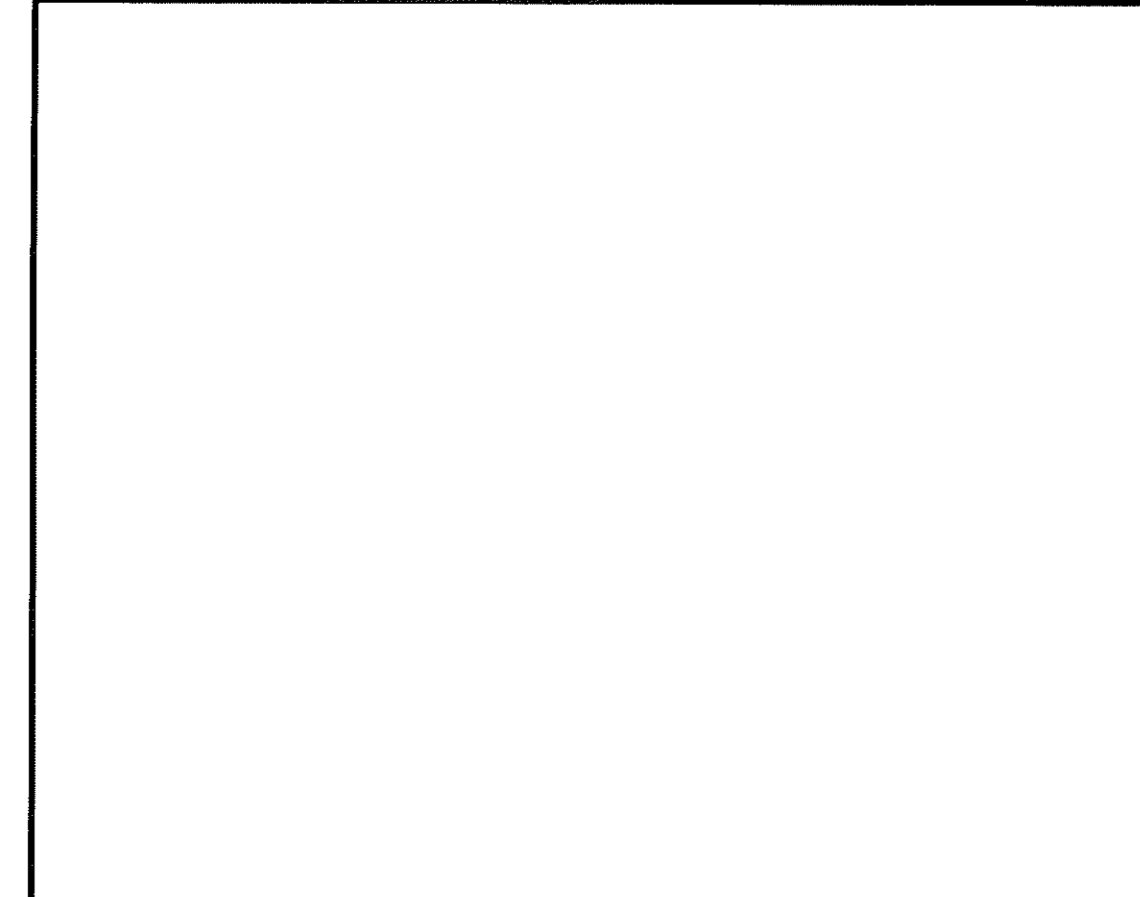


CONTRACTOR(S) SHALL VERIFY EXISTING CONDITIONS AND CORRELATE DIMENSIONS PRIOR TO PROVIDING THE WORK DETAILED IN THESE DRAWINGS. AND SHALL PROMPTLY NOTIFY THE ARCHITECT OF ANY DISCREPANCIES.
 © COPYRIGHT SBLM, ARCHITECTS PC. UNAUTHORIZED REPRODUCTION OR OTHER USE OF THIS DRAWING IS PROHIBITED.

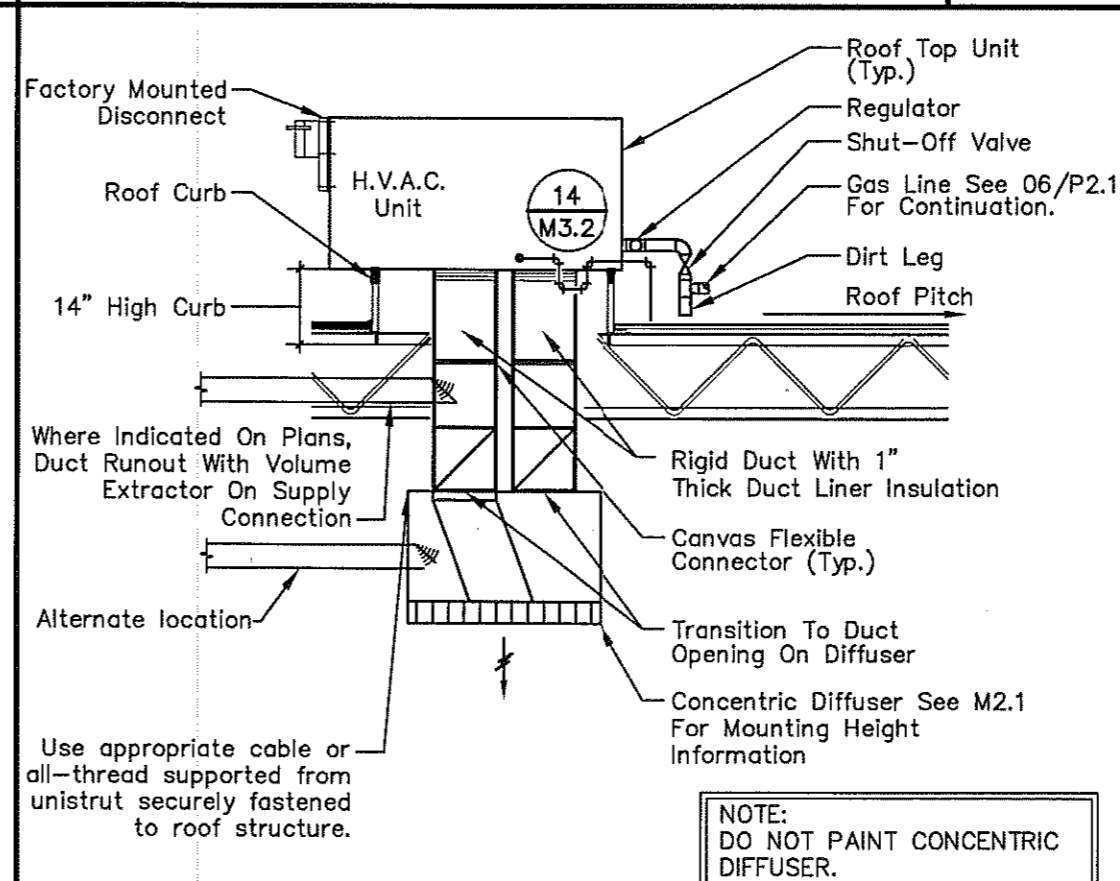
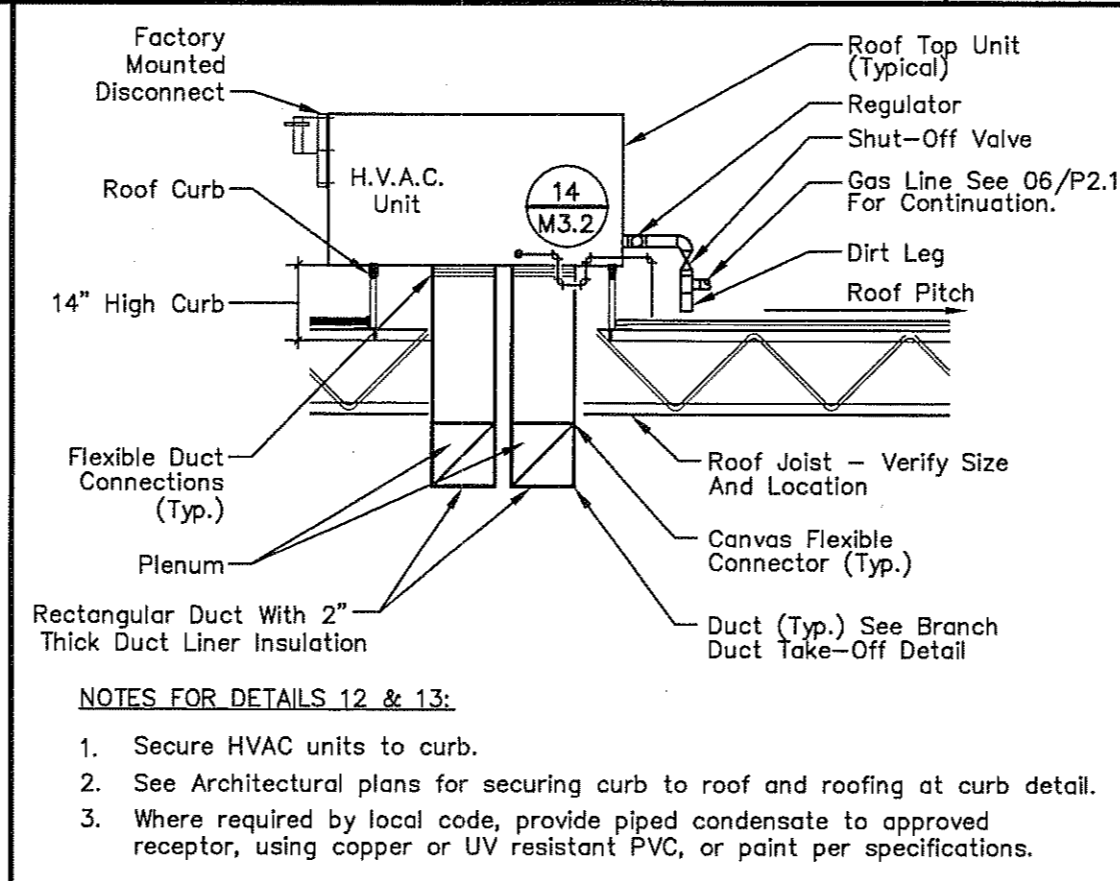
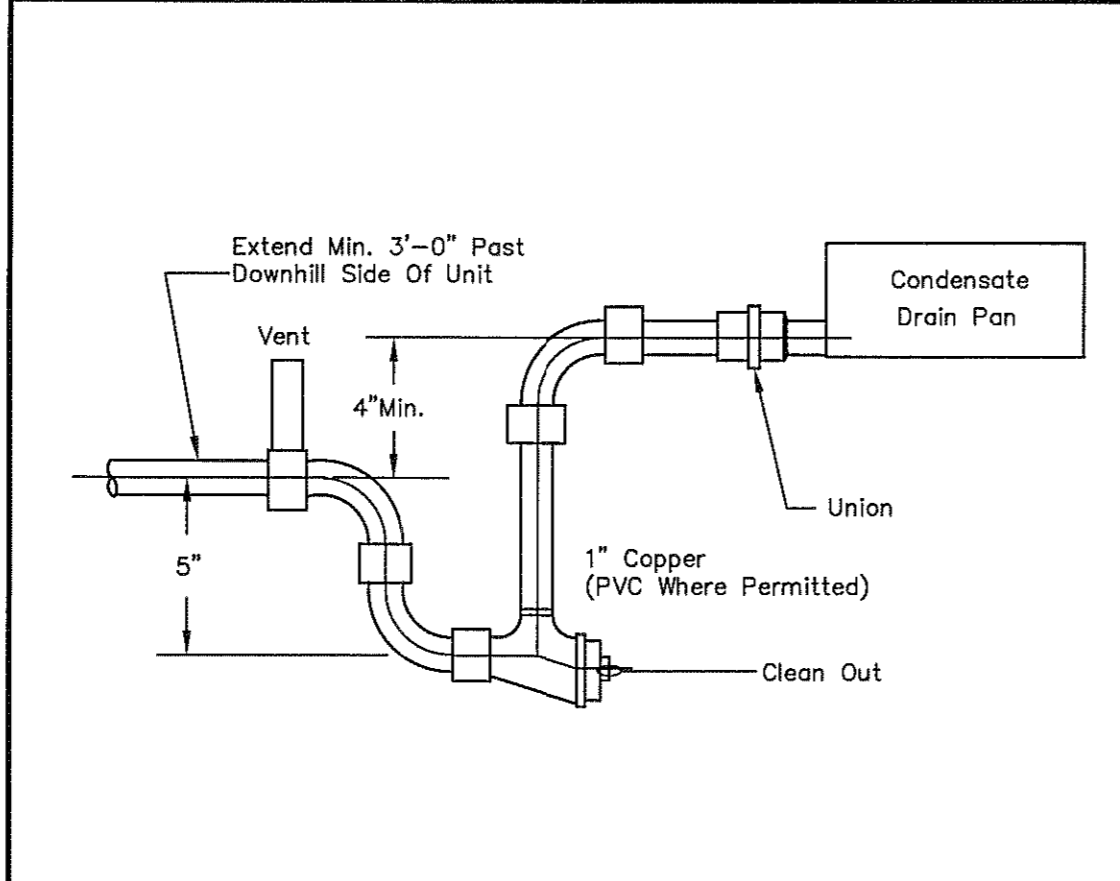


DIFFUSER CONNECTION DETAIL 19
 REF.: NONE NO SCALE

ROOF-TOP EXHAUST FAN DETAIL 18
 REF.: NONE NO SCALE

BRANCH DUCT TAKE-OFF DETAIL 17
 REF.: 06/M2.1 NO SCALE

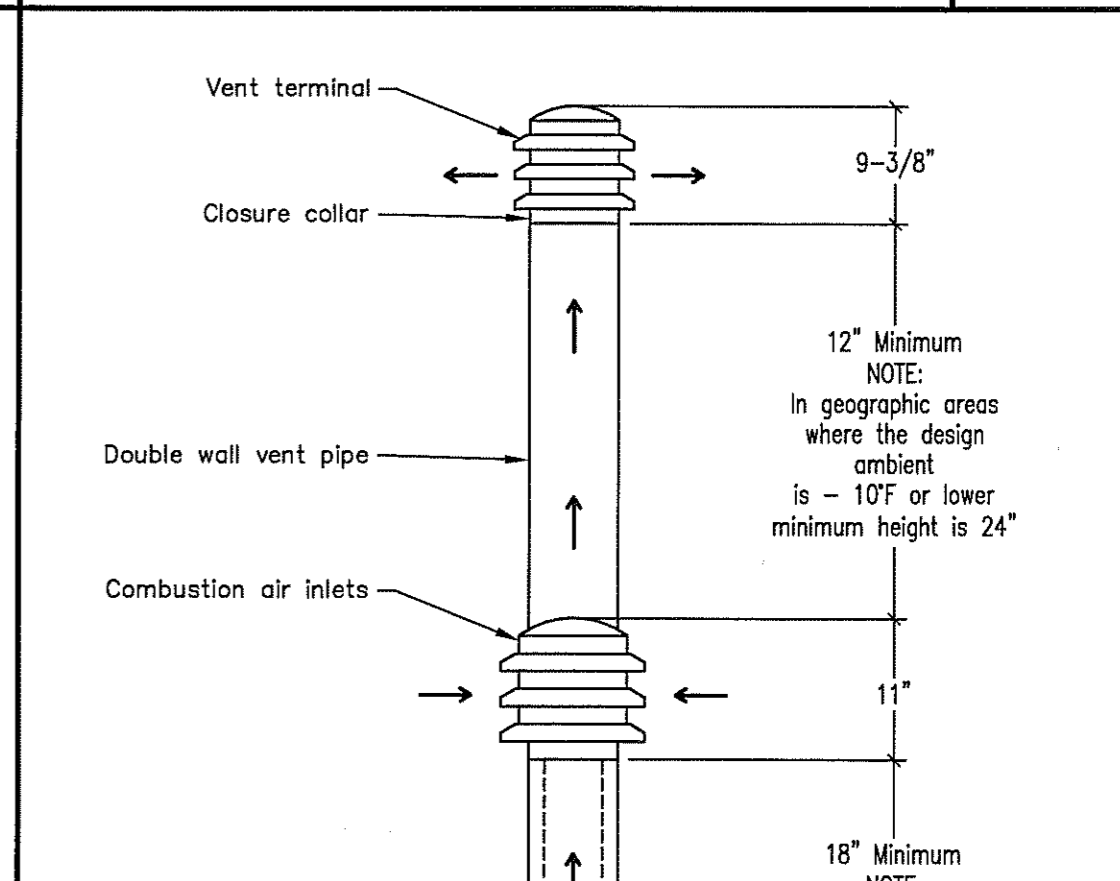
DUCT HANGER DETAILS 16
 REF.: NONE NO SCALE



CONDENSATE TRAP DETAIL 14
 REF.: NONE NO SCALE

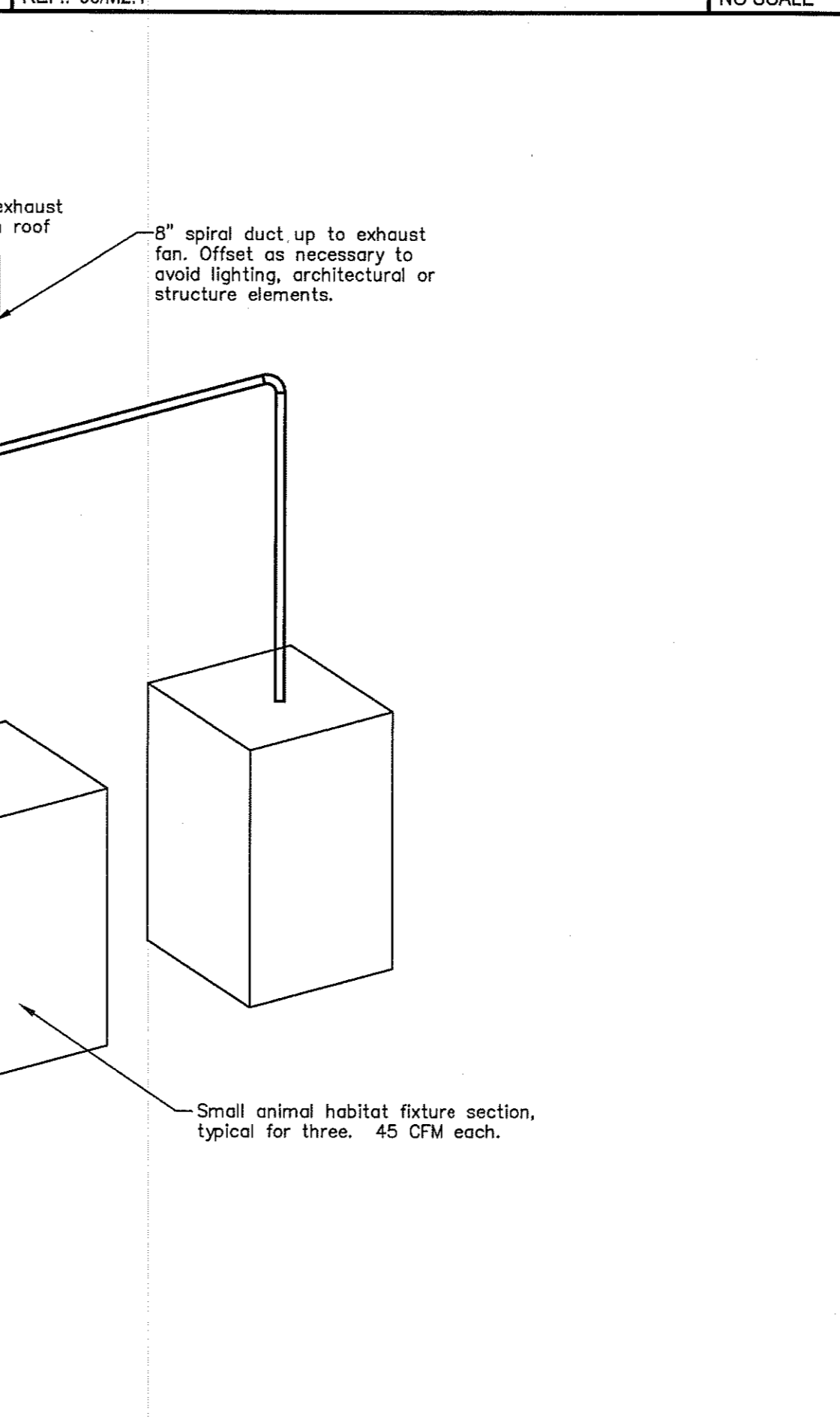
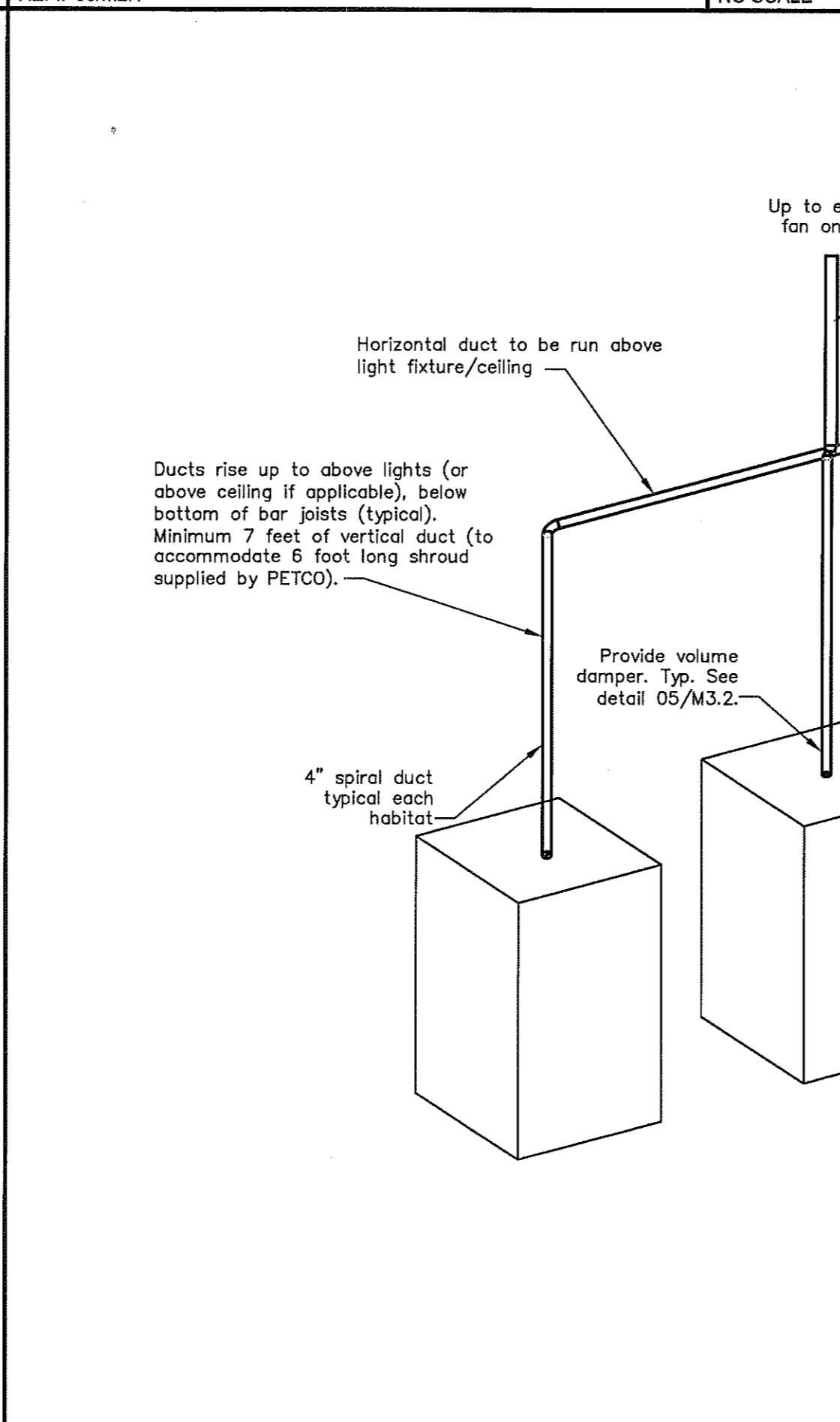
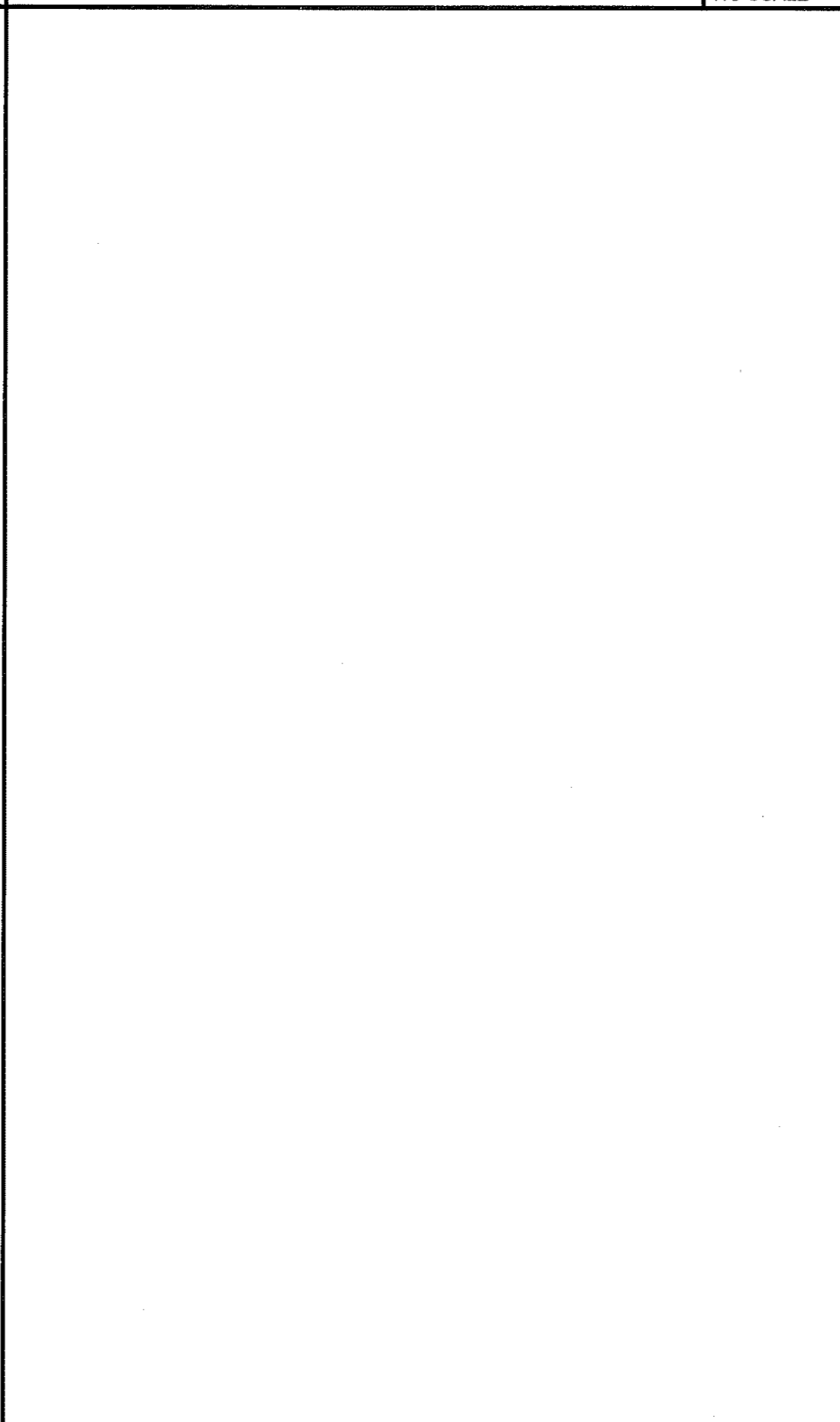
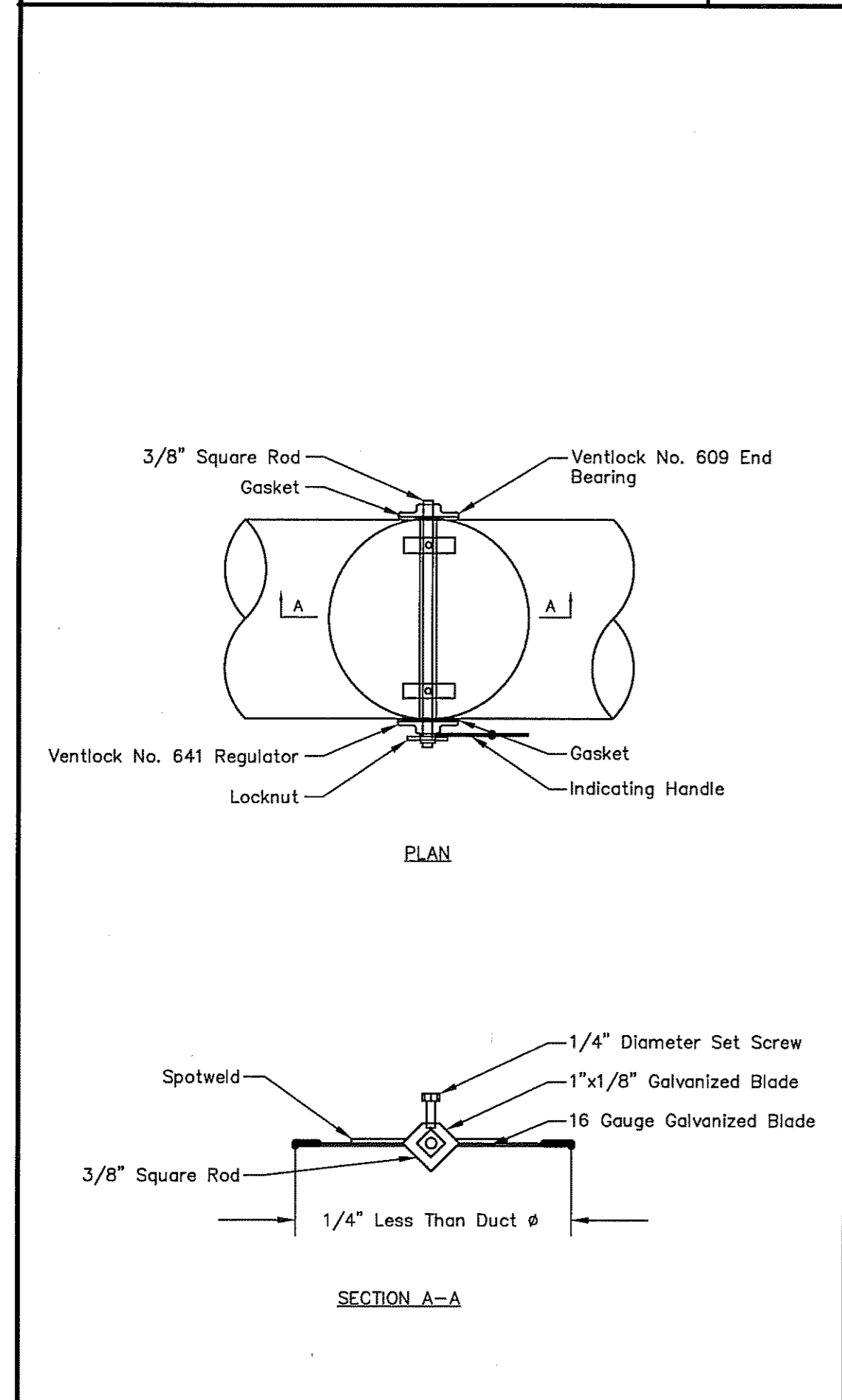
RTU PACKAGE HVAC UNIT DETAIL 13
 REF.: 06/M2.1 NO SCALE

RTU PACKAGE HVAC UNIT DETAIL 12
 REF.: 06/M2.1 NO SCALE



FLUE THROUGH ROOF DETAIL 06
 REF.: 06/M2.1 NO SCALE

OPEN 15
 REF.: NONE



KEY PLAN 01
 REF.: NONE NO SCALE

ROUND VOLUME DAMPER DETAIL 05
 REF.: NONE

OPEN 04
 REF.: NONE

SAM EXHAUST DETAIL 02
 REF.: 06/M2.1

KEY PLAN 01
 REF.: NONE NO SCALE

ROUND VOLUME DAMPER DETAIL 05
 REF.: NONE

OPEN 04
 REF.: NONE

SAM EXHAUST DETAIL 02
 REF.: 06/M2.1

KEY PLAN 01
 REF.: NONE NO SCALE

KEY PLAN 01
 REF.: NONE NO SCALE

MEP Engineer of Record
 Randall A. Nelson, P.E.
 14817 West 95th Street
 Lenexa, Kansas 66215
 Phone 913 322 5150

PETCO ANIMAL SUPPLIES STORES, INC.
 PETCO "CARY, NC"
 213 CROSSROADS BOULEVARD
 CARY, NC 27518



DISTRIBUTION	DATE
25% SUBMISSION	01-15-10
75% SUBMISSION	01-29-10
98% SUBMISSION	02-25-10
ISSUED FOR CONSTRUCTION	02-26-10

SBLM JOB#	PETCO P.M. JOB#
09147	09277
DRAWN: MTH/JC/JMM	CHECKED: BJT

MECHANICAL DETAILS

M3.2

