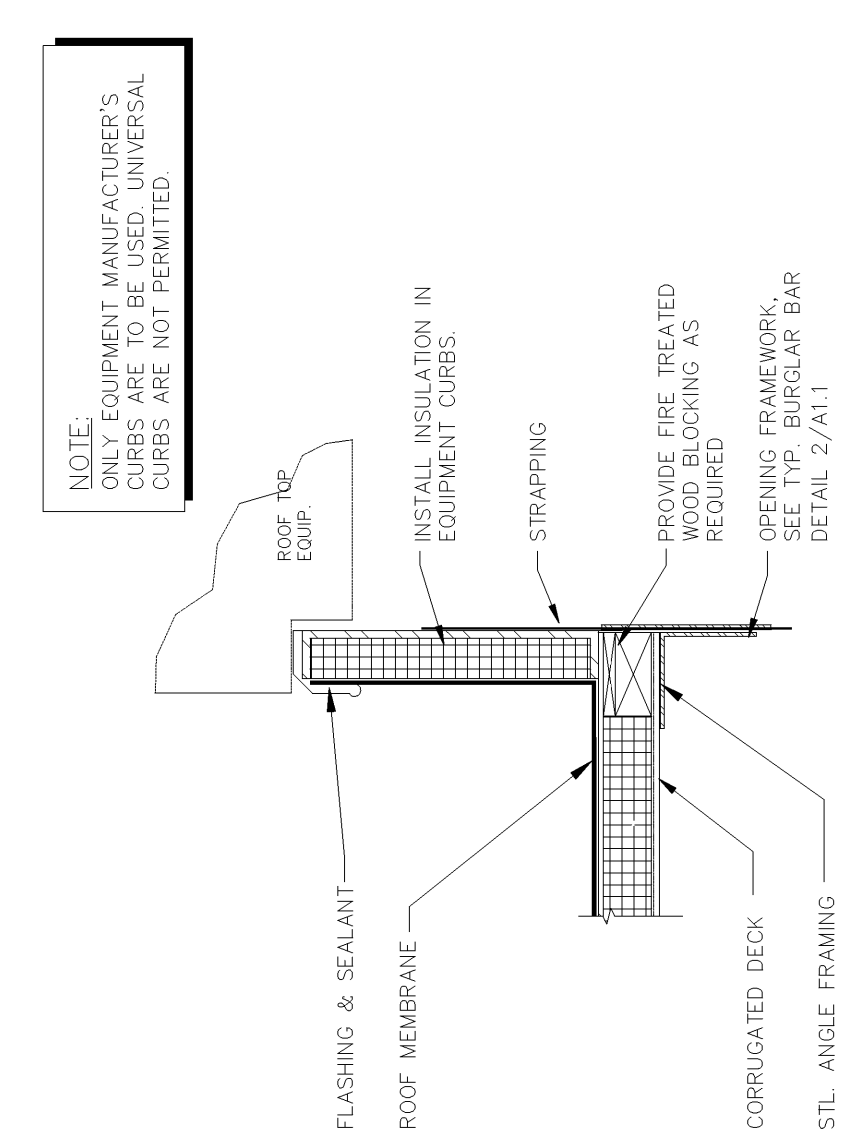


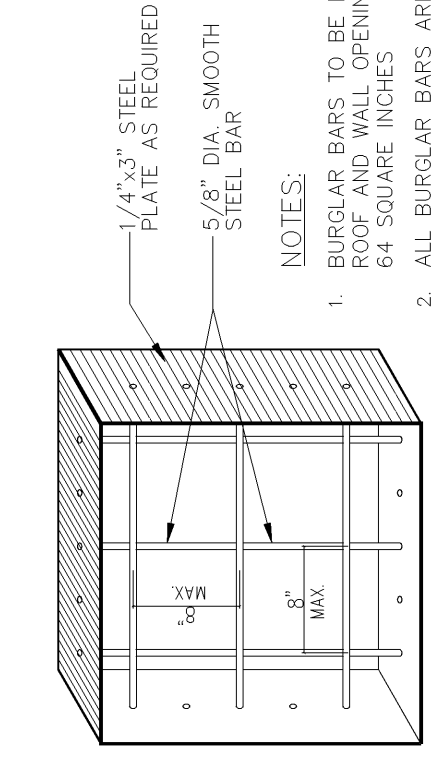
NOTES

- 1) SEE CRITERIA SHEET G1.0 & G1.1 NOTES FOR SHELL INSULATION REQUIREMENTS.
- 2) SEE CRITERIA SHEET G1.1 NOTE 9.5 FOR RAIN WATER LEADER REQUIREMENTS.
- 3) RAIN WATER LEADER ACCESS WORKS REQUIRED TO BE PIPED TO THE NEAREST ROOF DRAIN.
- 4) CONDEMNATION DRAINS TO BE PIPED TO REPORT TO 3rd FLOOR INSPECTION.
- 5) ROOF REPORT REQUIRED SEE SHEET G1.1 FOR ADDITIONAL INFORMATION.
- 6) ROOF TOP UNIT SIZES & LOCATIONS TO BE PLACED ON CENTRAL PANEL, DOOR AND SIDE WITH 12" HIGH LETTERING. REFER TO HVAC DESIGN CRITERIA AND CHECKLIST 6.B.3.0/M2.0.

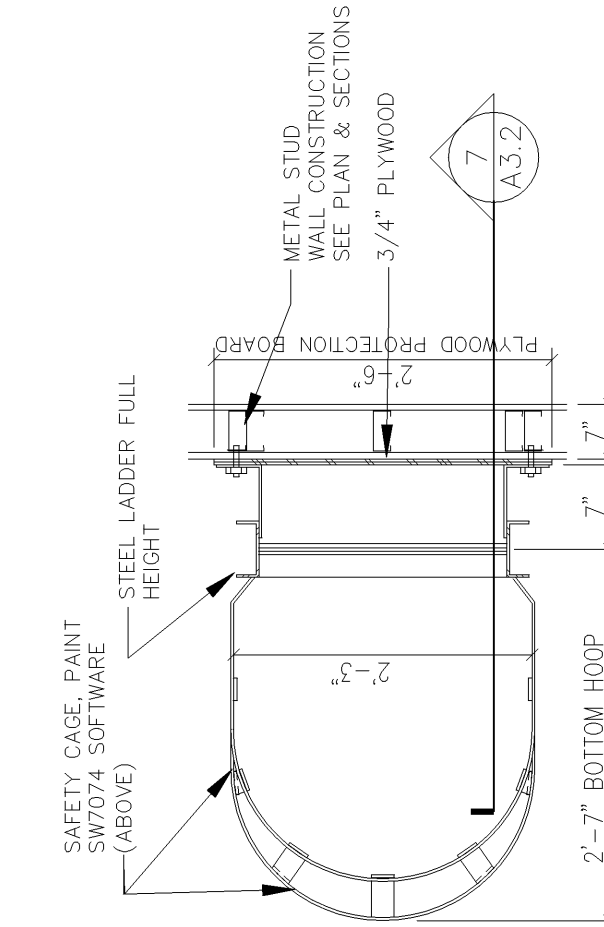
1. EQUIP. ROOF CURB
SCALE: 1/8" = 1'-0"



2. BURGLAR BAR DETAIL
SCALE: N.T.S.



3. ROOF ACCESS LADDER PLAN, REQ'D BY ROSS
SCALE: 1/2" = 1'-0"



4. ROOF PLAN
SCALE: 1/8" = 1'-0"