

REVISION	BY

CRG ARCHITECTS/PALATKA, INC
 216 ST. JOHNS AVE • PALATKA, FL 32177
 (407)264-0364 (386) 325 0213 FAX (386) 326 1491

ELEVATIONS &
 SCHEDULES

RENOVATIONS TO THE HEALTH BUILDING (2010)
 ST JOHNS RIVER COMMUNITY COLLEGE
 PALATKA, FL 32177

Date: 6-17-10
 Scale: AS NOTED
 Drawn: JCK
 Job: 08602
 Sheet:
A-5
 6 Of 11 Sheets

DOOR SCHEDULE

DOOR NO.	SIZE	TYPE	MATERIALS	FRAME	HARDWARE	REMARKS
1	PR 3'-0" x 7'-0" x 1 3/4"	SF	ALLUM/GL	ALLUM SF.	HW-1	2 FV
2	3'-0" x 6'-8" x 1 3/4"	HL	SC/WD	E	HW-3	3 FV
3	3'-0" x 6'-8" x 1 3/4"	F	SC/WD	E	HW-6	- FV
4	3'-0" x 6'-8" x 1 3/4"	F	SC/WD	E	HW-5	3 FV
5	3'-0" x 6'-8" x 1 3/4"	F	SC/WD	E	HW-5	3 FV
6	3'-0" x 6'-8" x 1 3/4"	F	SC/WD	E	HW-6	3 FV
7	3'-0" x 6'-8" x 1 3/4"	F	SC/WD	E	HW-7	6 FV
8	3'-0" x 6'-8" x 1 3/4"	F	SC/WD	E	HW-7	6 FV
9	PR 3'-0" x 7'-0" x 1 3/4"	SF	ALLUM/GL	ALLUM SF.	HW-1	2
10	2'-2" x 6'-8" x 1 3/4"	F	SC/WD	E	HW-4	- FV
11	PR 3'-0" x 6'-8" x 1 3/4"	HL	SC/WD	E	HW-2	-
12	PR 3'-0" x 7'-0" x 1 3/4"	SF	ALLUM/GL	ALLUM SF.	HW-1	2
13	3'-0" x 7'-0" x 1 3/4"	F	SC/WD	HM	HW-7	6, 10
14	PR 3'-0" x 7'-0" x 1 3/4"	SF	ALLUM/GL	ALLUM SF.	HW-1	2
15	PR 3'-0" x 7'-0" x 1 3/4"	SF	ALLUM/GL	ALLUM SF.	HW-1	2

DOOR SCHEDULE NOTES

- HOLLOW METAL FRAME GALVANIZED
- ALLUM THRESHOLD 1/2" MAX HEIGHT
- SOUND GASKETS
- WEATHER STRIPPING GASKETS
- 50 MINUTE FIRE RATED
- MARBLE THRESHOLD
- EXTERIOR KEY PAD LOCK
- UNDERCUT DOOR BOTTOMS AS REQUIRED
- 2" DOOR HEAD
- 4" DOOR HEAD
- 20 MINUTE FIRE RATED

NOTE - ADJUST DOOR HEIGHTS AS REQUIRED TO COMPENSATE FOR NEW FLOOR TILE (TILE OVER TILE)

FINISH SCHEDULE

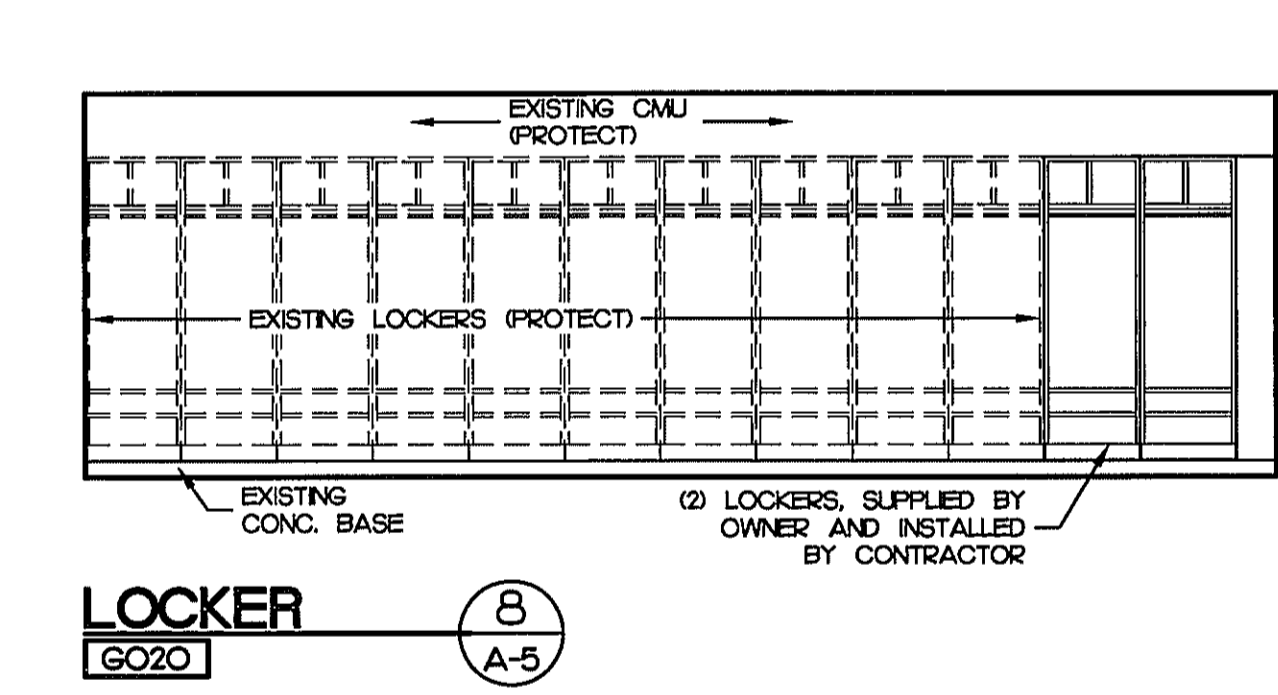
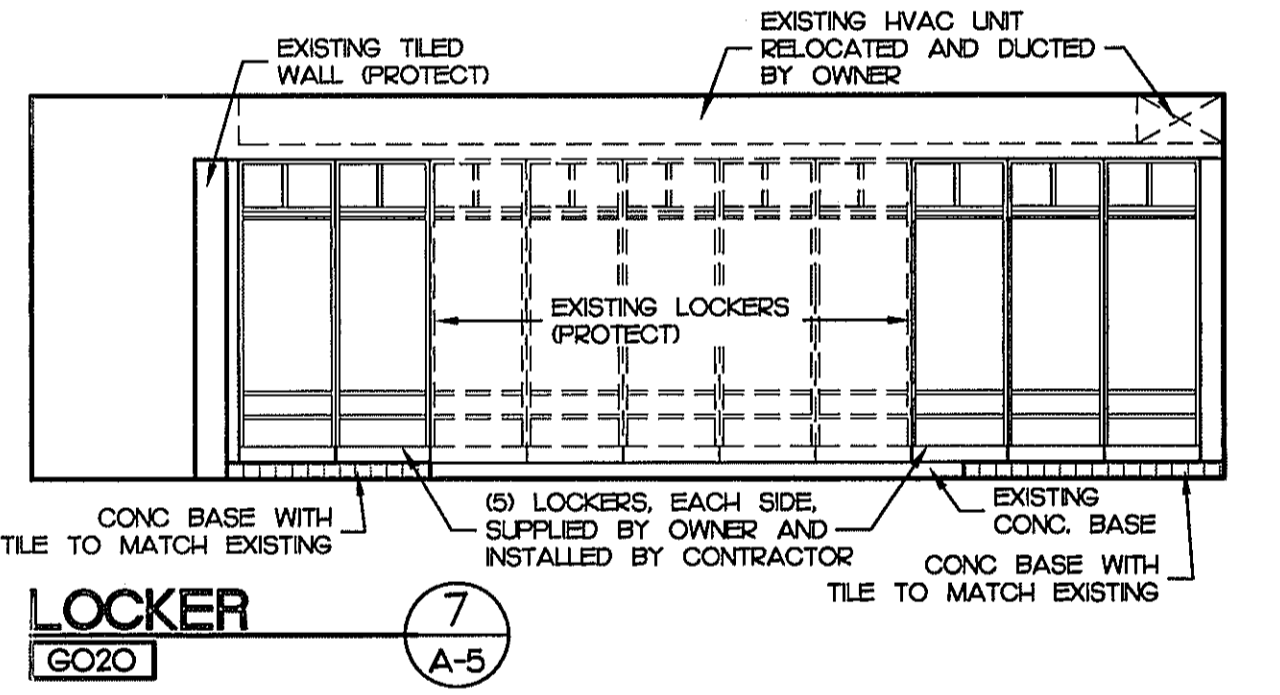
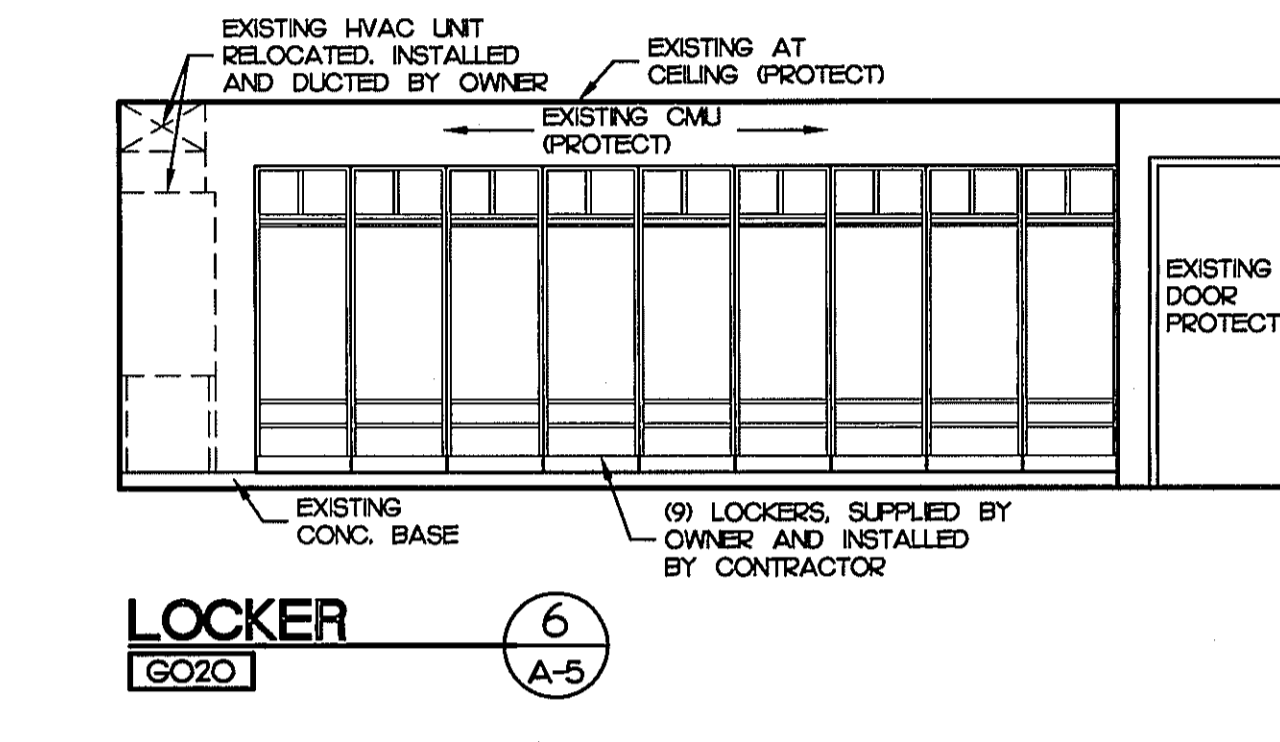
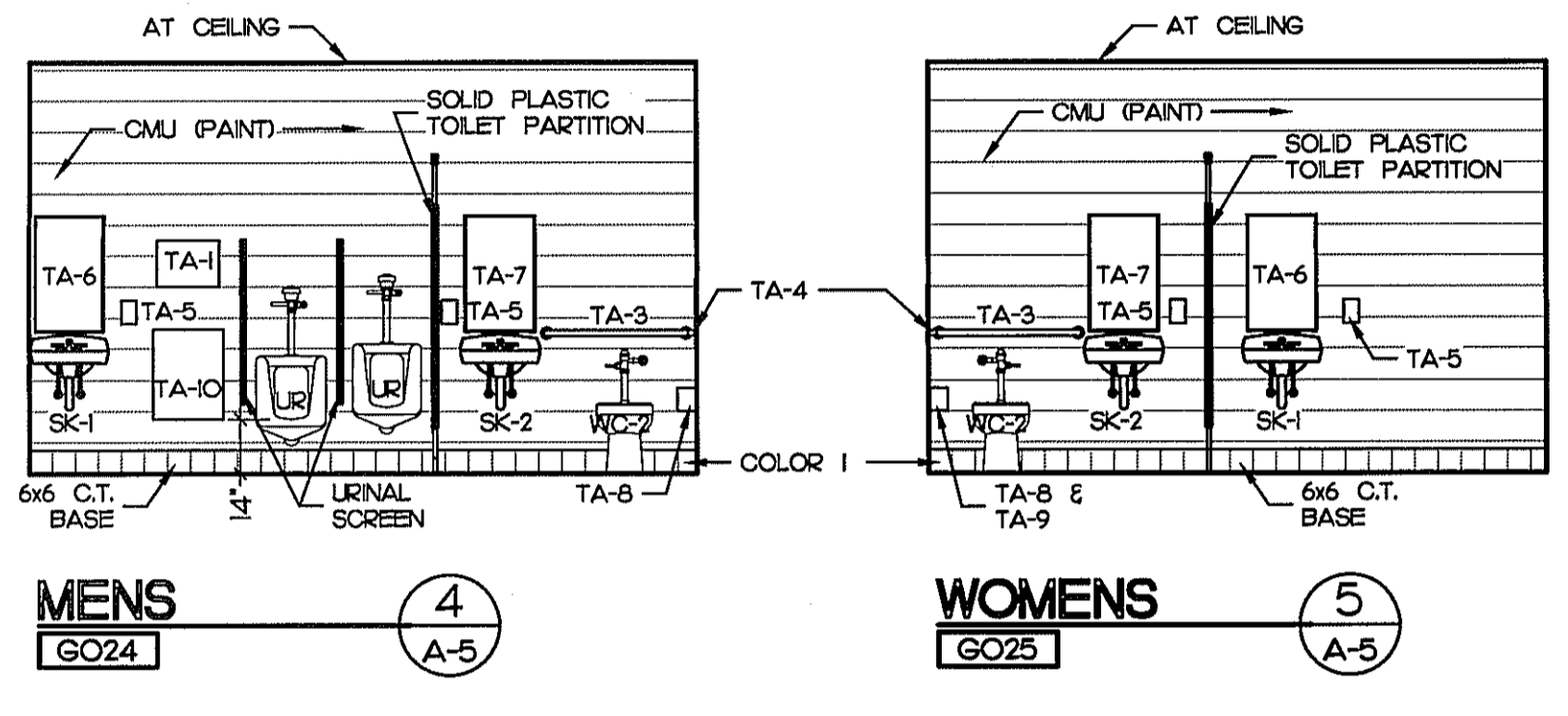
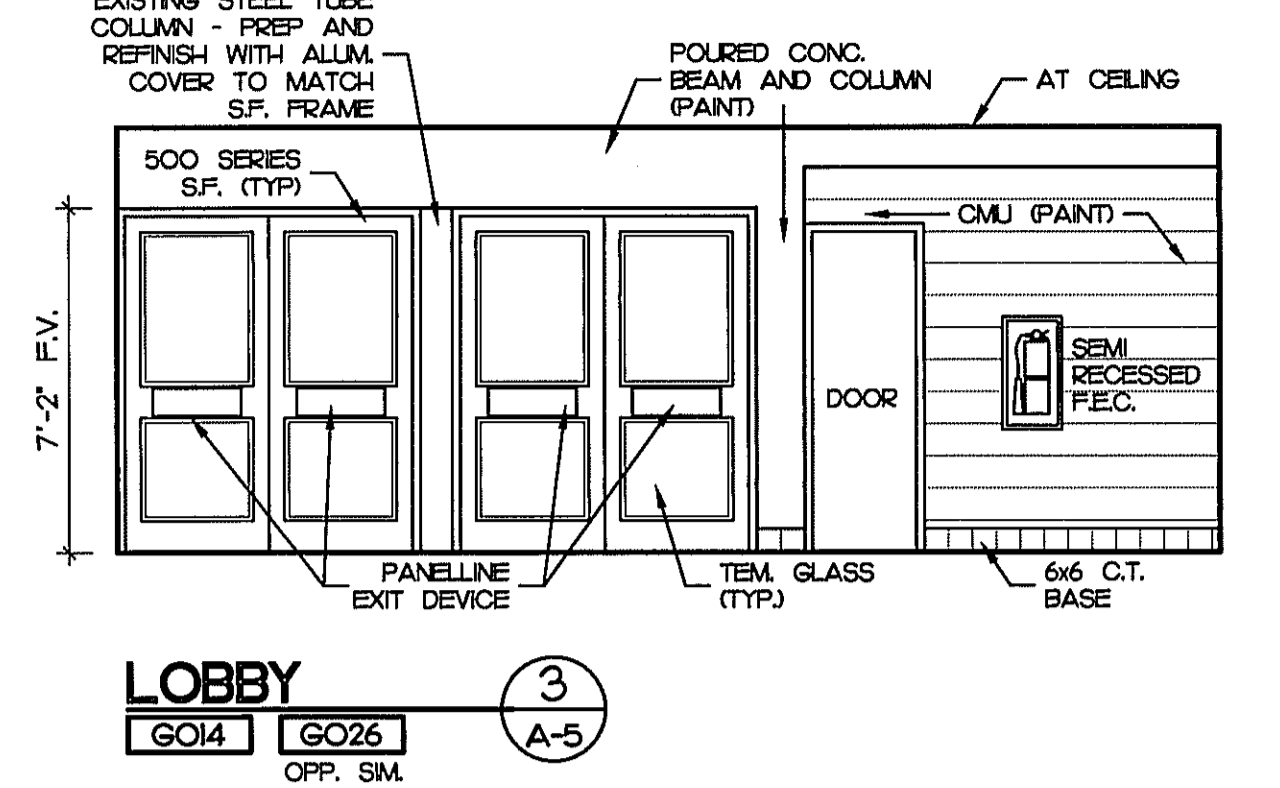
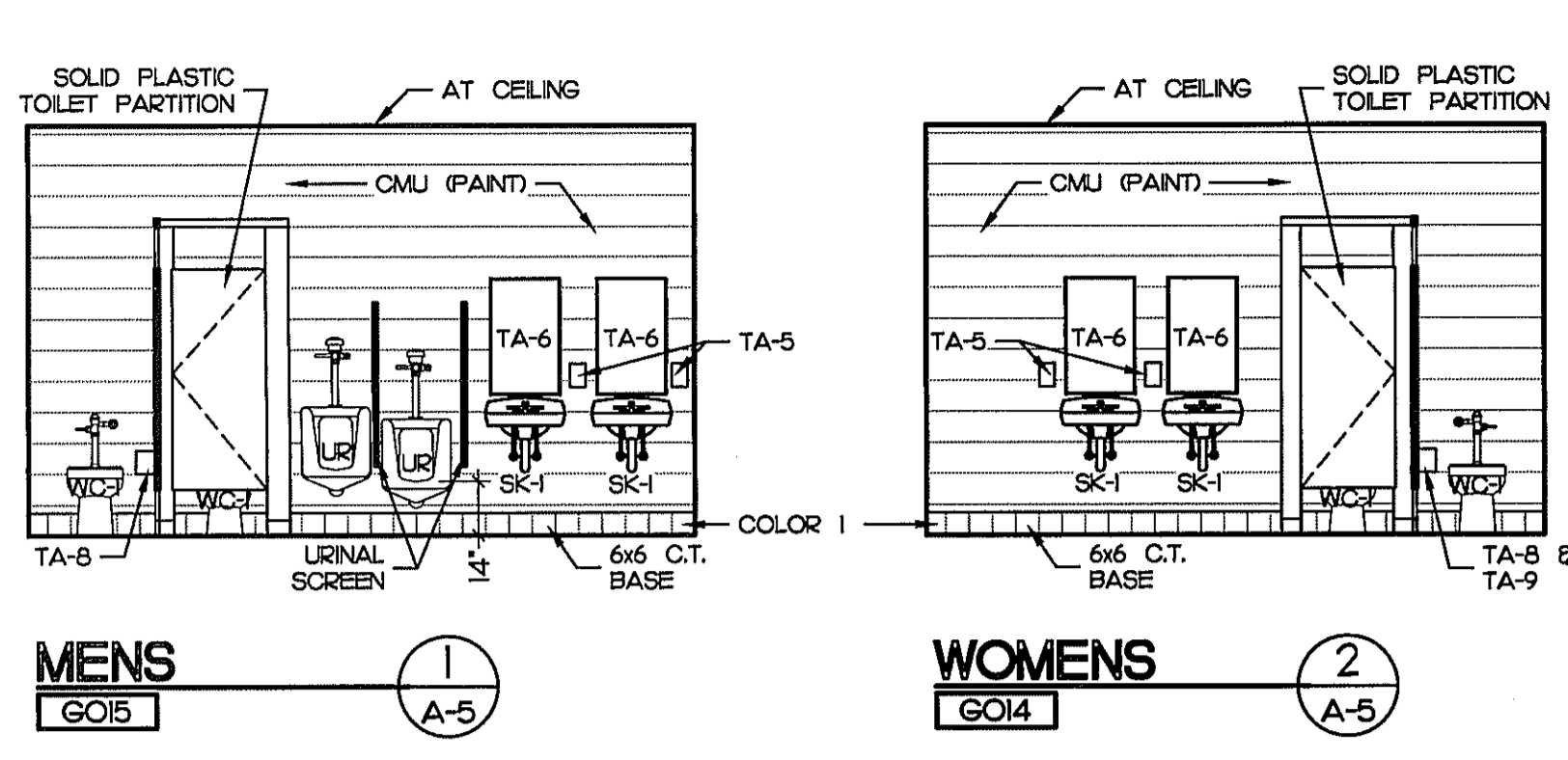
SPACE NO.	SPACE NAME	FLOOR	BASE	WALLS	CEILING	CEILING HEIGHT	REMARKS
GO12	TICKET	E	E	E	E	8	1. 8
GO13	LOBBY	CT	CT	E	AT-1	8'-10"	1. 6. 8
GO13A	STAIR	E	E	E	-	-	1. 7. 8
GO13B	CORRIDOR	CT	CT	E	AT-1	8'-10"	1. 6. 8
GO14	WOMENS	CT	CT	E	AT-2	8'-10"	2. 6. 8
GO15	MENS	CT	CT	E	AT-2	8'-10"	2. 6. 8
GO2A	CORRIDOR	CT	CT	E	AT-1	8'-10"	1. 6. 8
GO23	LOBBY	CT	CT	E	AT-1	8'-10"	1. 6. 8
GO23A	STAIR	E	E	E	-	-	1. 7. 8
GO20	LOCKER	E	E	E	E	E	2. 8
GO20B	SHOWER	E	E	E	E	E	2. 8
GO24	MENS	CT	CT	E	AT-2	8'-10"	2. 6. 8
GO25	WOMENS	CT	CT	E	AT-2	8'-10"	2. 6. 8

FINISH SCHEDULE LEGEND

C	CARPET	SP	SOFFIT PANELS (CEM BOARD)
CONC	CONCRETE (TROWEL FINISH)	WD	WOOD
GL	GLAZING OR GLASS	GL	GLAZING WALL BOARD (PAINTED)
GP	METAL PANELS	CHWB	CONCRETE MASONRY UNITS (PAINTED)
WOT	VINYL COMPOSITION TILE (22x12)	CMU	CONCRETE MASONRY UNITS (PAINTED)
V	6" VINYL BASE	EXP	EXPOSED
GT	GLAZED INTERIOR TILE	CMWB	CEMENT WALL BOARD (PAINTED)
E	EXISTING	AT	24" x 24" ACOUSTICAL TILE LAY-IN
LP	LAMINATE PLASTIC	CT	GRID, SUSPENSION SYSTEM
CT	CERAMIC TILE 12x12	PLYWD	PLYWOOD

FINISH SCHEDULE NOTES

- SEMI GLOSS PAINT
- EPOXY PAINT
- CONCRETE HARDENER & GLOSS SEALER
- GW/EL UNFINISHED (NO TAPE/NO FLOAT)
- SATIN FINISH PAINT
- FIELD VERIFY CEILING HEIGHT
- NON SLIP EPOXY PAINT AT STAIR TREADS
- PREP AND PAINT EXISTING WALLS AND TRIM



PLUMBING FIXTURE SCHEDULE

WC-1	WATER CLOSET (FLOOR MOUNTED, FLUSH VALVE) AMERICAN STANDARD 16 GPF MADERA MODEL 2234.015 WITH ELONGATED FRONT, CHURCH MODEL 9500-SSC WHITE SOLID PLASTIC SEAT WITH STAINLESS STEEL SELF-SUSTAINING CHECK HINGE, SLOAN REGAL-PRO 111YO FLUSH VALVE WITH BUMPER ON ANGLE STOP, AND LOOSE KEY STOP AND CHROME FINISHED SUPPLY TUBE.
WC-2	WATER CLOSET (FLOOR MOUNTED, FLUSH VALVE, HANDICAPPED) AMERICAN STANDARD 16 GPF MADERA 17H MODEL 3043102 WITH ELONGATED FRONT, CHURCH MODEL 9500-SSC WHITE SOLID PLASTIC SEAT WITH STAINLESS STEEL SELF-SUSTAINING CHECK HINGE, SLOAN REGAL-PRO 111YO FLUSH VALVE WITH BUMPER ON ANGLE STOP, AND LOOSE KEY STOP AND CHROME FINISHED SUPPLY TUBE. FLUSH VALVE ON APPROACH SIDE OF FIXTURE.
SK-1	LAVATORY (WALL HUNG, METERING FAUCET) AMERICAN STANDARD MODEL 0355.012 LUCERNE WITH 4" FAUCET CENTER. PROVIDE DELTA MODEL 501 FAUCET. PROVIDE STRAINER DRAIN WITH TALPIECE AND BOCA FLOW REGULATORS FOR 1/2" GPM. ANGLE STOPS WITH LOOSE KEYS. ANNEALED CHROME PLATED VERTICAL COPPER SUPPLY TUBES AND 1/4" CAST BRASS P-TRAP AND TUBING OUTLET. PROVIDE ZURN MODEL Z-1231 CONCEALED ARM MOUNTING KIT, MOUNTING HEIGHTS AS INDICATED ON THE STANDARD MOUNTING HEIGHTS.
SK-2	LAVATORY (WALL HUNG, SINGLE LEVER FAUCET) AMERICAN STANDARD MODEL 0355.012 LUCERNE WITH 4" FAUCET CENTER. PROVIDE DELTA MODEL 501 FAUCET. PROVIDE STRAINER DRAIN WITH TALPIECE AND BOCA FLOW REGULATORS FOR 1/2" GPM. ANGLE STOPS WITH LOOSE KEYS. ANNEALED CHROME PLATED VERTICAL COPPER SUPPLY TUBES AND 1/4" CAST BRASS P-TRAP AND TUBING OUTLET. PROVIDE ZURN MODEL Z-1231 CONCEALED ARM MOUNTING KIT, MOUNTING HEIGHTS AS INDICATED ON THE STANDARD MOUNTING HEIGHTS. PROVIDE TREBRO MODEL NUMBER 102W INSULATION KIT.
UR	URINAL (WALL HUNG) AMERICAN STANDARD MODEL 654182 ALLROCK SIPHON JET TYPE WITH 3/4" TOP SPUD. PROVIDE SLOAN REGAL-PRO 18610 FLUSH VALVE WITH BUMPER ON ANGLE STOP, ZURN MODEL Z-1221 ADJUSTABLE CARRIER, MOUNTING HEIGHT AS INDICATED IN DRAWINGS.

