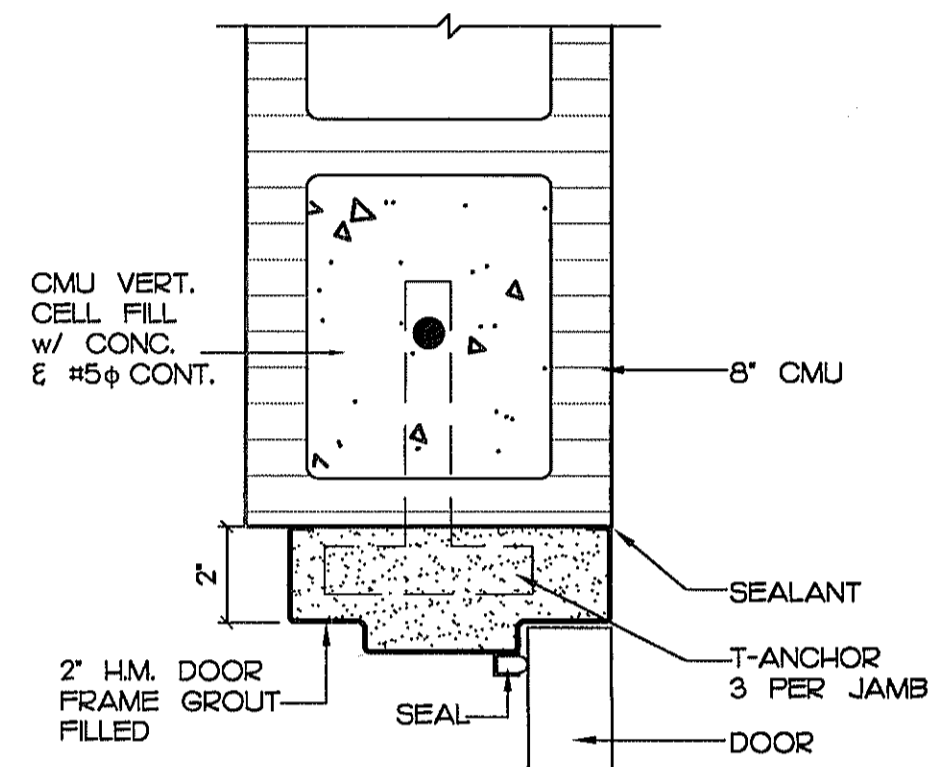
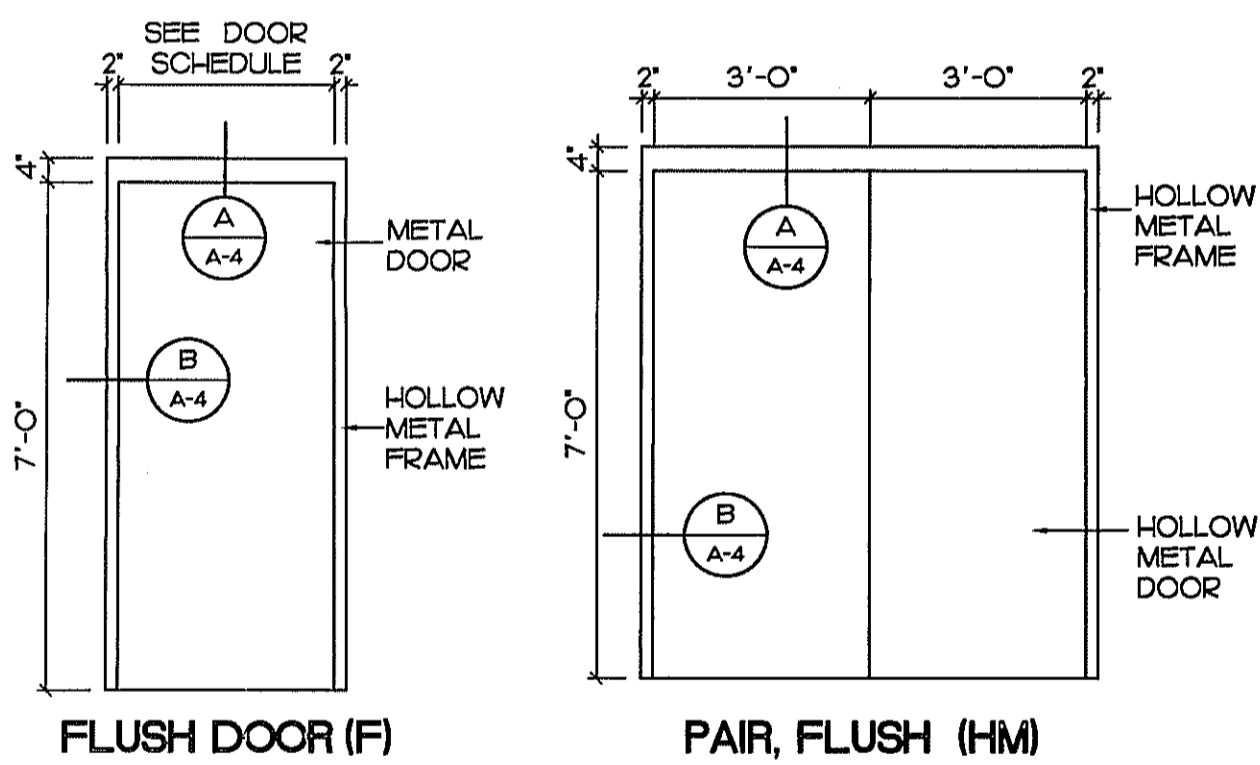


HEAD
SCALE: 3" = 1'-0"
A-A



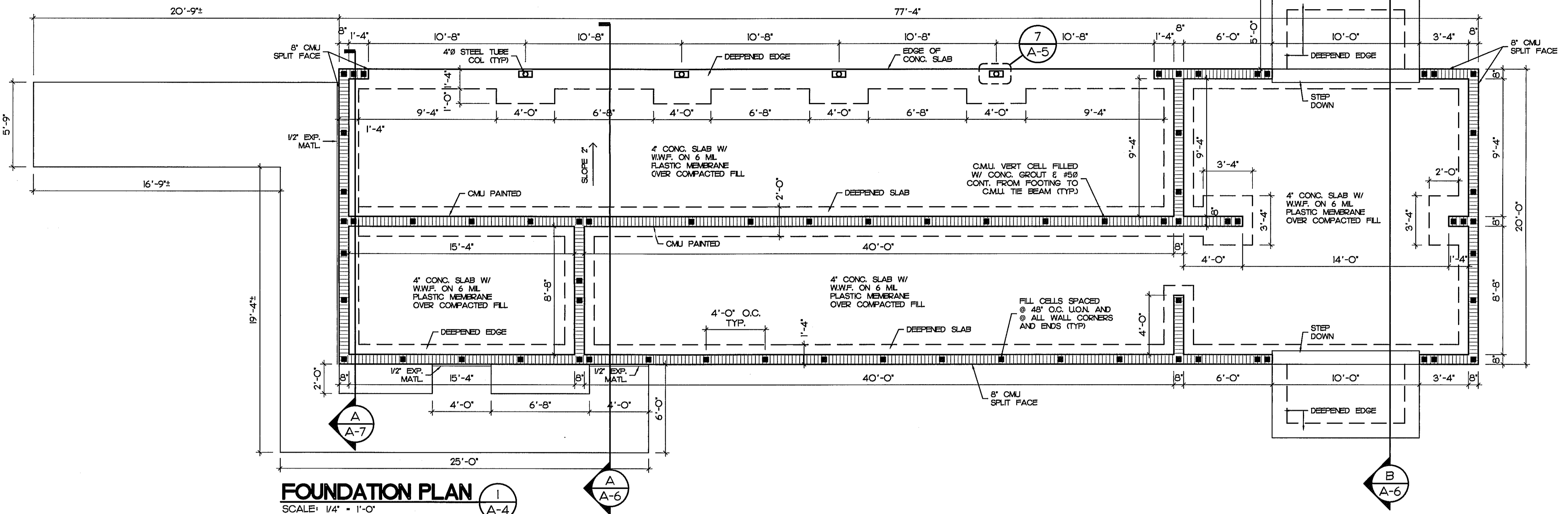
JAMB
SCALE: 3" = 1'-0"
A-A



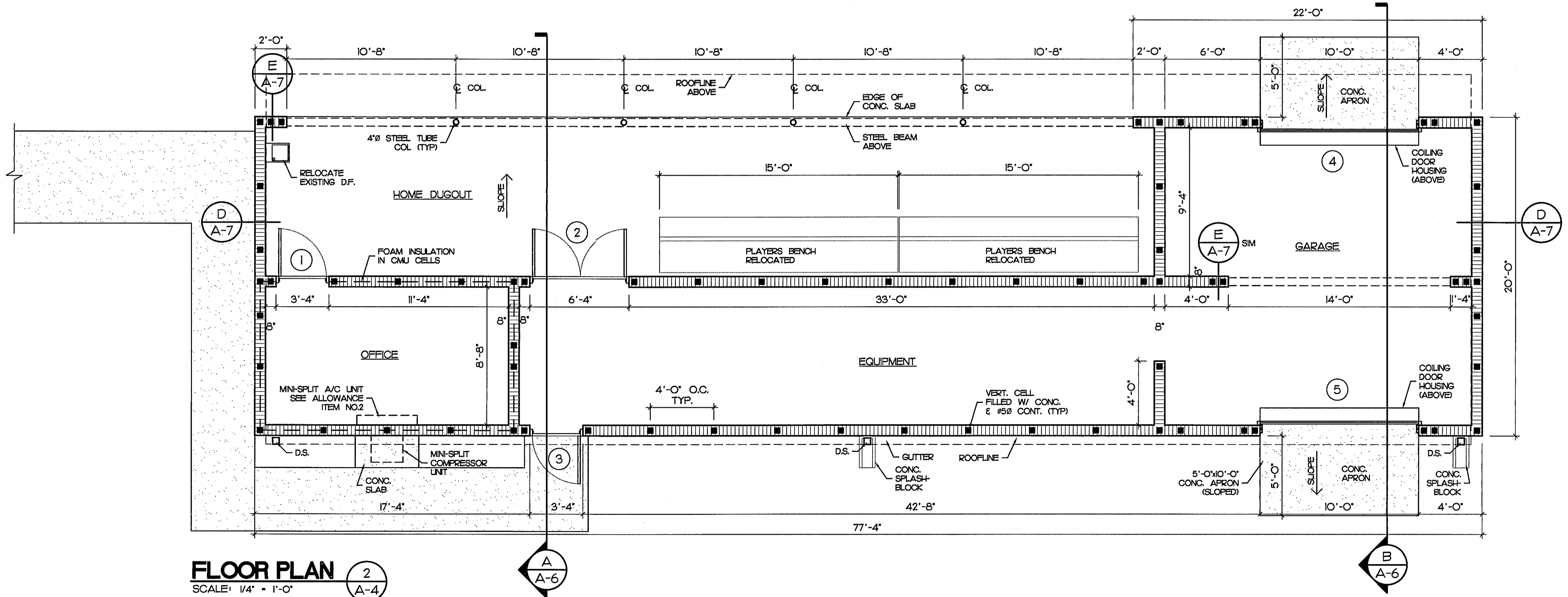
FLUSH DOOR (F) PAIR, FLUSH (HM)

DOOR SCHEDULE						
DOOR NO.	SIZE	TYPE	MATERIALS	FRAME	HARDWARE	REMARKS
1	3'-0" x 7'-0" x 1 3/4"	F	M	HM	HW-1	2, 4, 10
2	PR 3'-0" x 7'-0" x 1 3/4"	F	M	HM	HW-2	2, 4, 10
3	3'-0" x 7'-0" x 1 3/4"	F	M	HM	HW-3	2, 4, 10
4	10'-0" W x 7'-4" H	CD	M	-	HW-4	4, 13
5	10'-0" W x 7'-4" H	CD	M	-	HW-4	4, 13

DOOR SCHEDULE NOTES	F	FLUSH (PAINT FINISH)
1. HOLLOW METAL FRAME GALVANIZED	CD	COLLING DOOR
2. ALUM. THRESHOLD 1/2" MAX HEIGHT	M	METAL (GALV) W/ INSULATED CORE
3. SOUND GASKETS	GL	GLASS
4. WEATHER STRIPPING GASKETS	SC/WD	SOLID CORE WOOD
5. 20 MINUTE FIRE RATED	HC	HOLLOW CORE
6. MARBLE THRESHOLD	FL	FULL LOUVERED
7. EXTERIOR KEY PAD LOCK	NL	NARROW LITE (ITEM)
8. UNSPLIT DOOR BOTTOMS AS REQUIRED	HL	HALF LITE (ITEM)
9. 2" DOOR HEAD	HM	HOLLOW METAL
10. 4" DOOR HEAD	WD	WOOD
11. 20 MINUTE FIRE RATED		
12. NOEPRENE SILL SEAL		



FOUNDATION PLAN
SCALE: 1/4" = 1'-0"
1 A-A



FLOOR PLAN
SCALE: 1/4" = 1'-0"
2 A-A

REVISION	BY

CRG ARCHITECTS/PALATKA, INC.
216 ST. JOHNS AVE. • PALATKA, FL 32777
4070002604 3860 325 0213 FAX 3860 328 1601

HOME DUGOUT PLANS

MISCELLANEOUS ATHLETICS PROJECTS
ST JOHNS RIVER COMMUNITY COLLEGE
PALATKA, FLORIDA

Seal/Signature:
ROBERT C. GOODWIN,
ARCHITECT, AR-3044

Date: 10-17-09
Scale: AS NOTED
Drawn: JCK
Job: 05H02
Sheet:

A-3
4 of 12 Sheets

6/19/2010 3:35:15 PM
COPYRIGHT © CRG ARCHITECTS FLOTTED