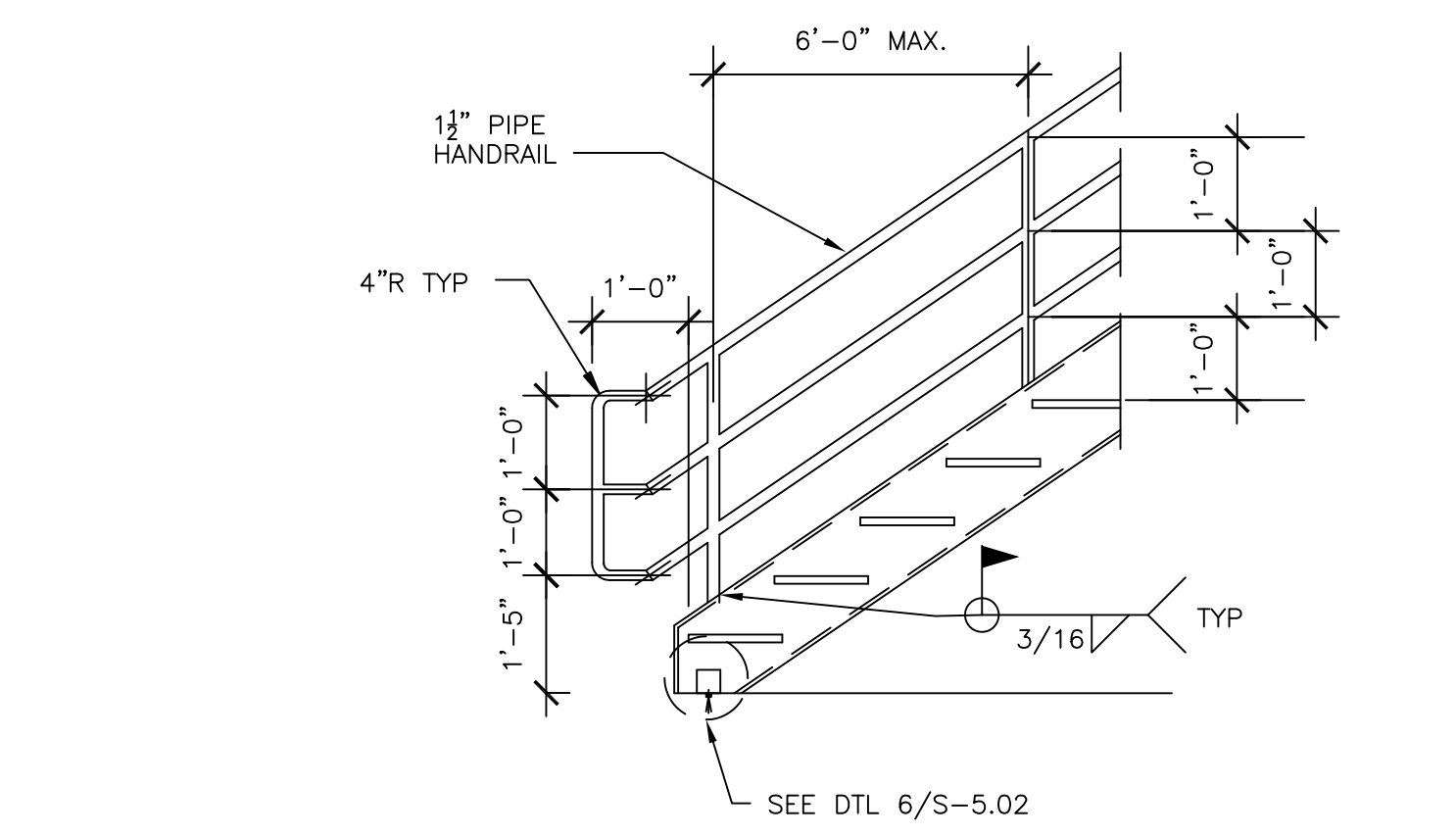
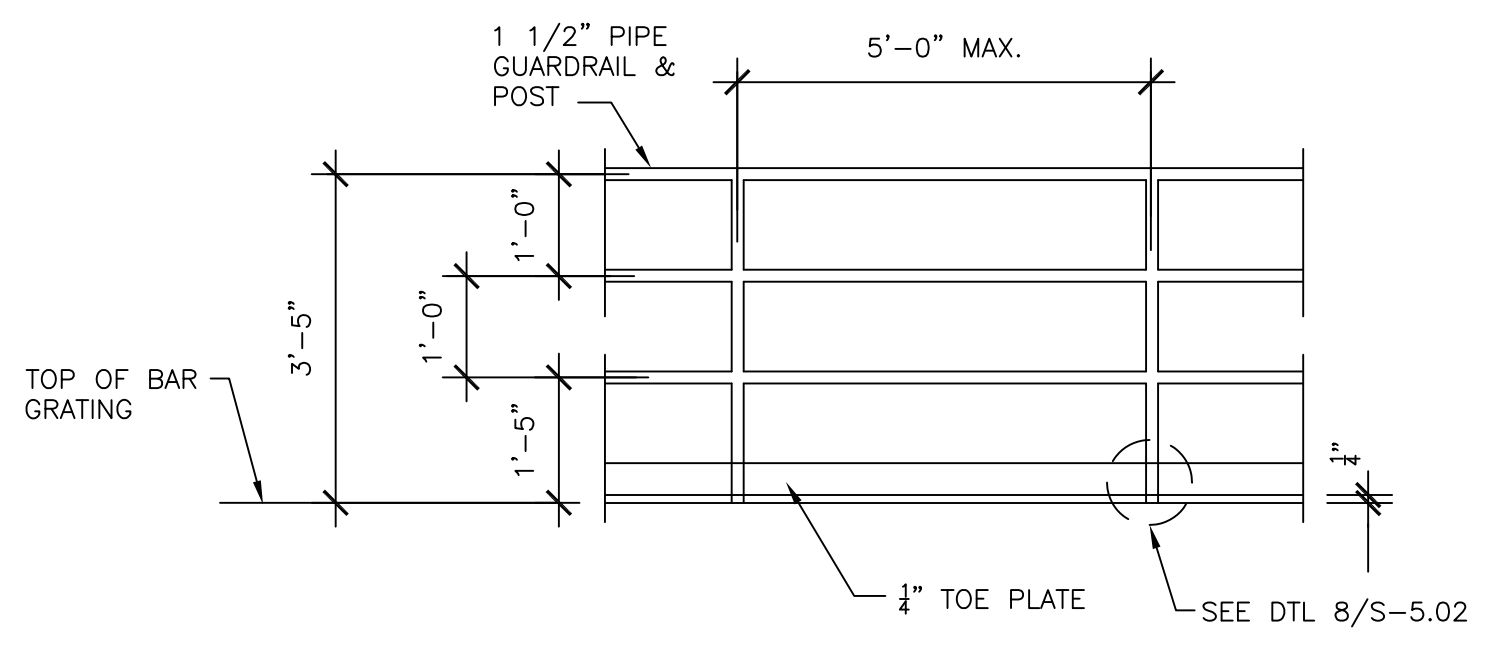


REVISION	COMMENTS

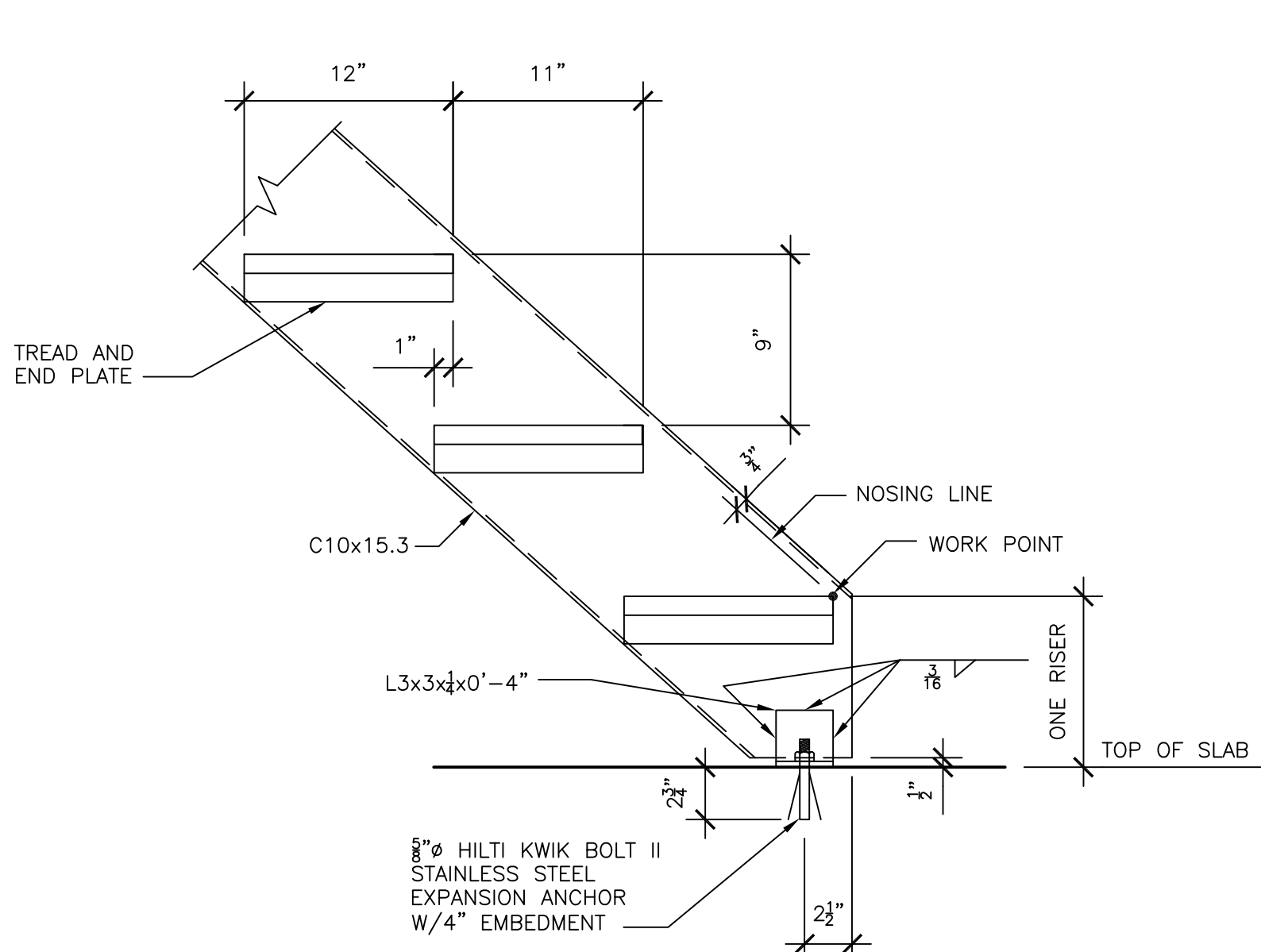
DRAWING TITLE :	
DETAILS	
FILE NAME:	
DATE: 3-31-2009	
PLOT SIZE: AS NOTED	
CADD BY: RC	
DESIGNED BY: RR, CP, BW	
CHECKED BY: RR	
PROJECT NO. 081106	
SHEET NO.	

DRAWING TITLE :	
DETAILS	
FILE NAME:	
DATE: 3-31-2009	
PLOT SIZE: AS NOTED	
CADD BY: RC	
DESIGNED BY: RR, CP, BW	
CHECKED BY: RR	
PROJECT NO. 081106	
SHEET NO.	

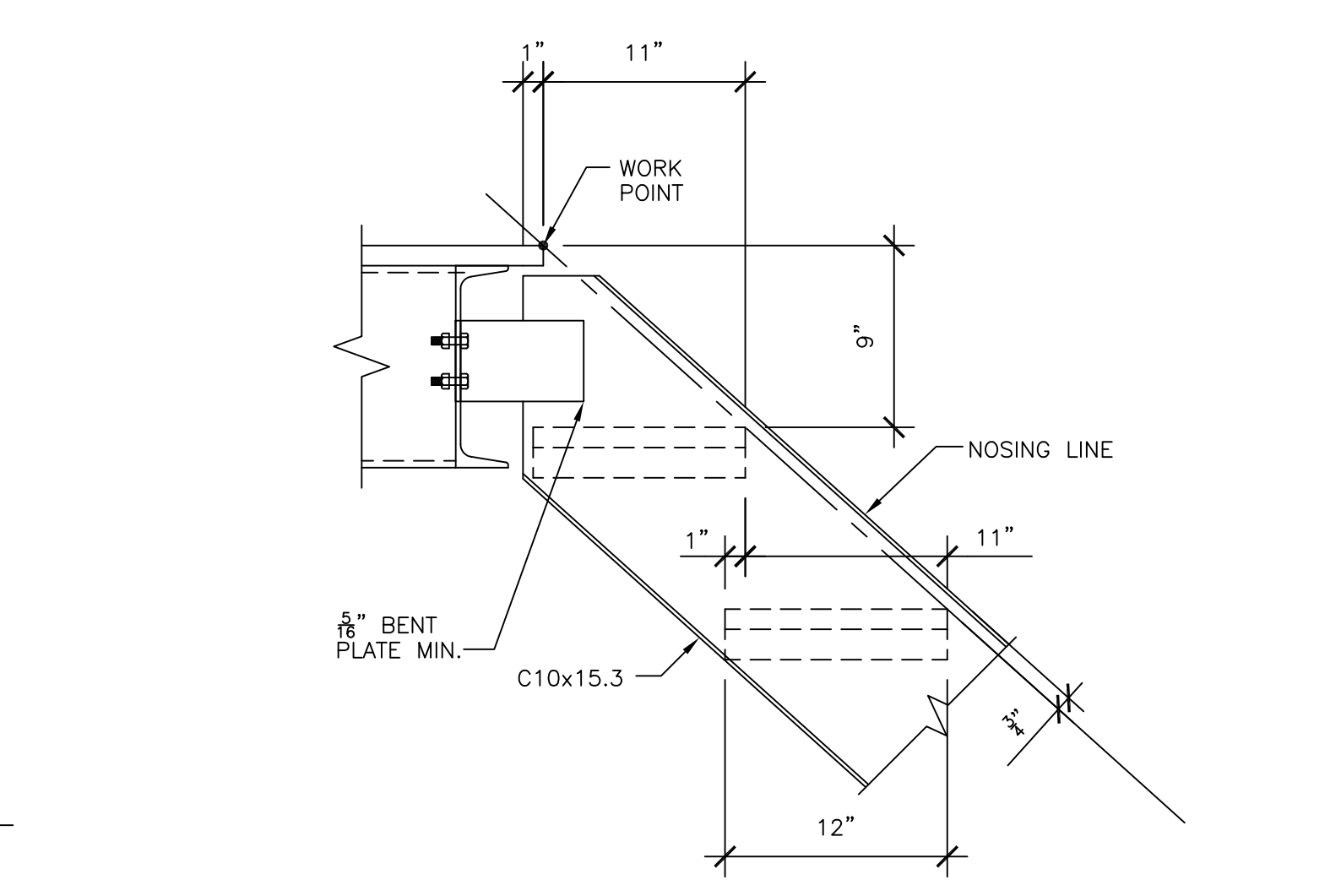
DRAWING TITLE :	
DETAILS	
FILE NAME:	
DATE: 3-31-2009	
PLOT SIZE: AS NOTED	
CADD BY: RC	
DESIGNED BY: RR, CP, BW	
CHECKED BY: RR	
PROJECT NO. 081106	
SHEET NO.	



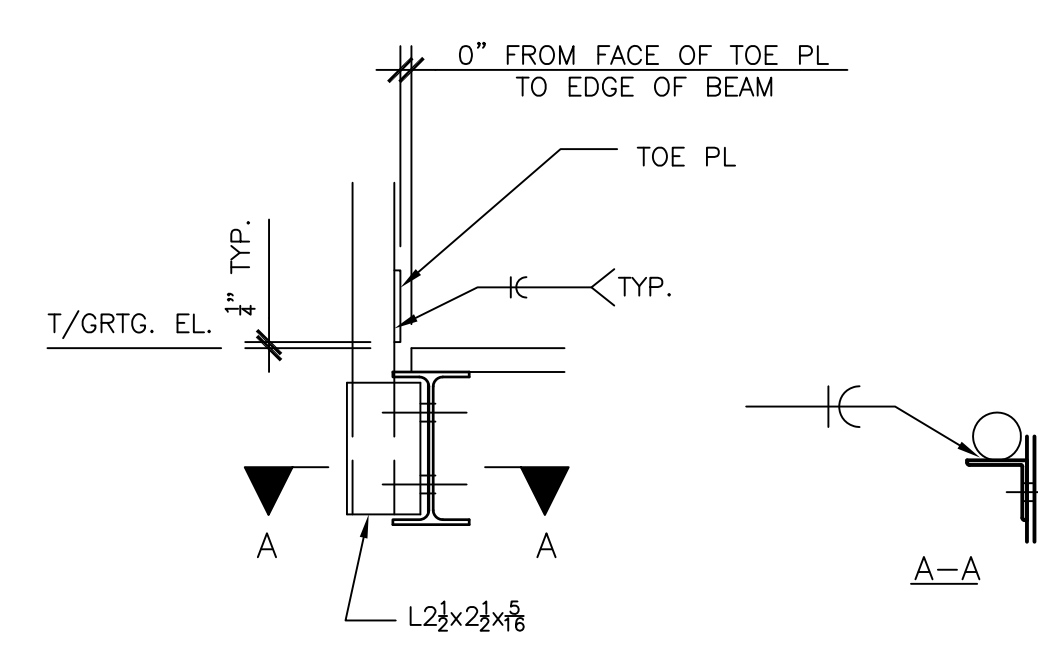
TYPICAL GALVANIZED HANDRAIL



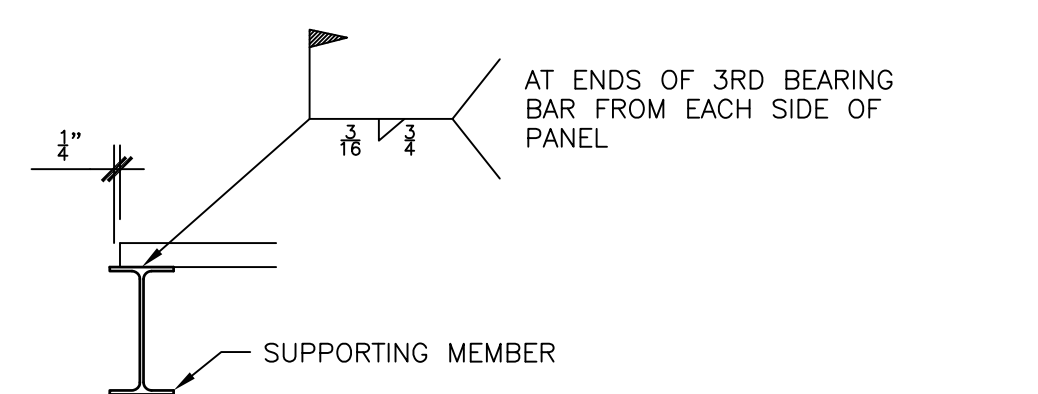
STAIR DETAIL



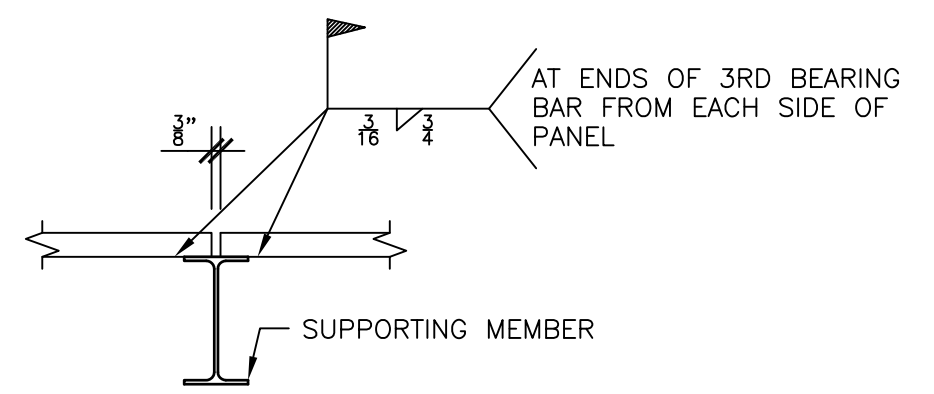
STAIR DETAIL



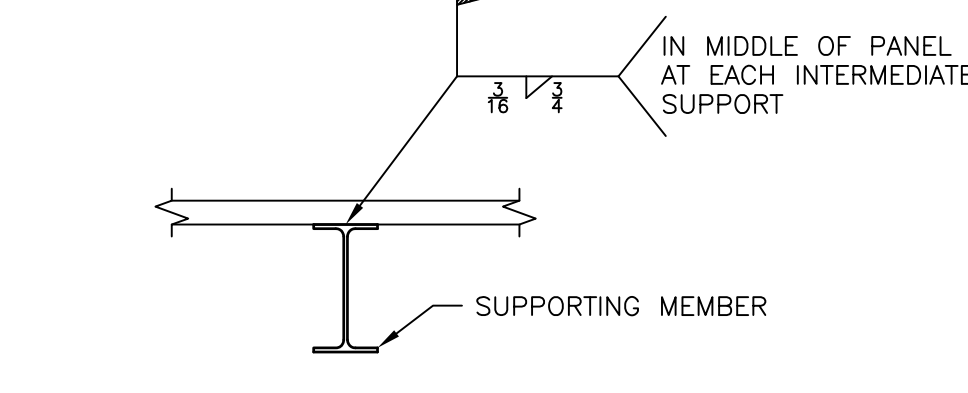
POST CONNECTION DETAIL



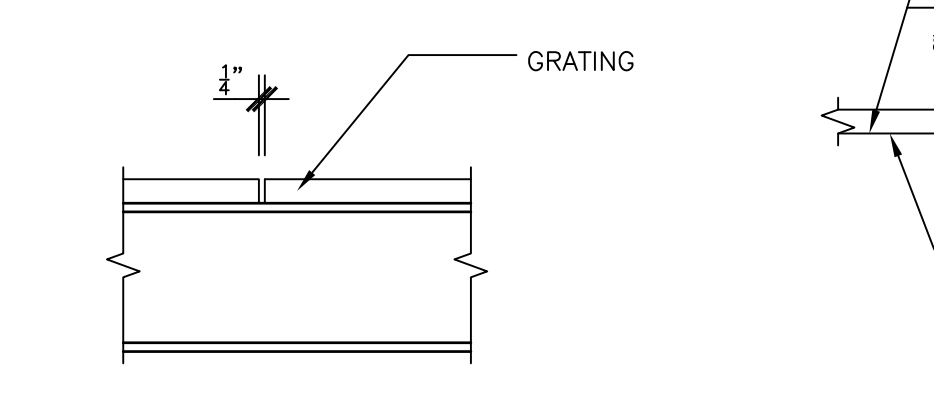
PERIMETER SUPPORTS DETAIL



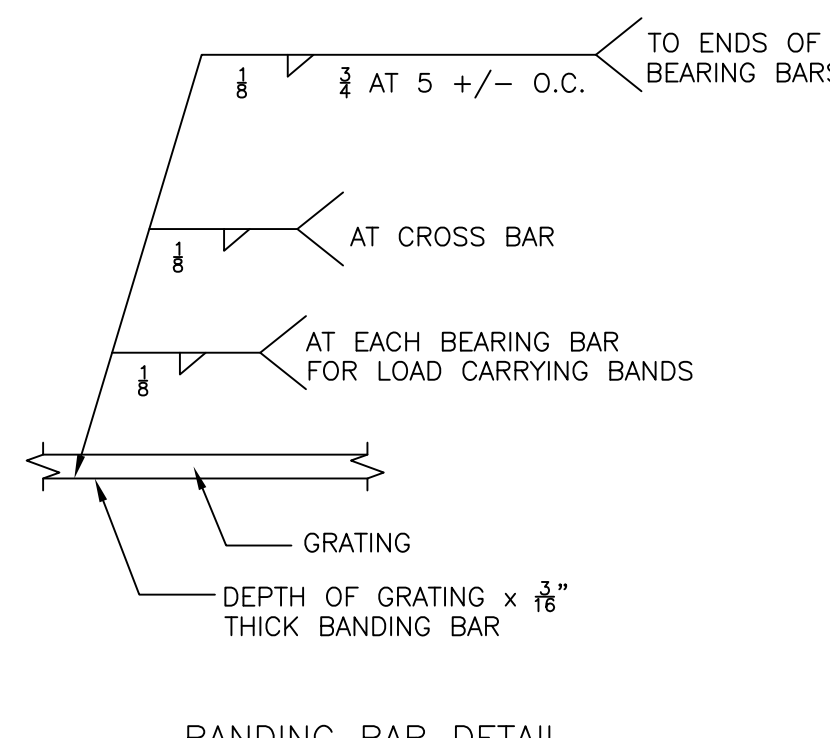
SPLICE AT SUPPORT DETAIL



INTERMEDIATE SUPPORT DETAIL

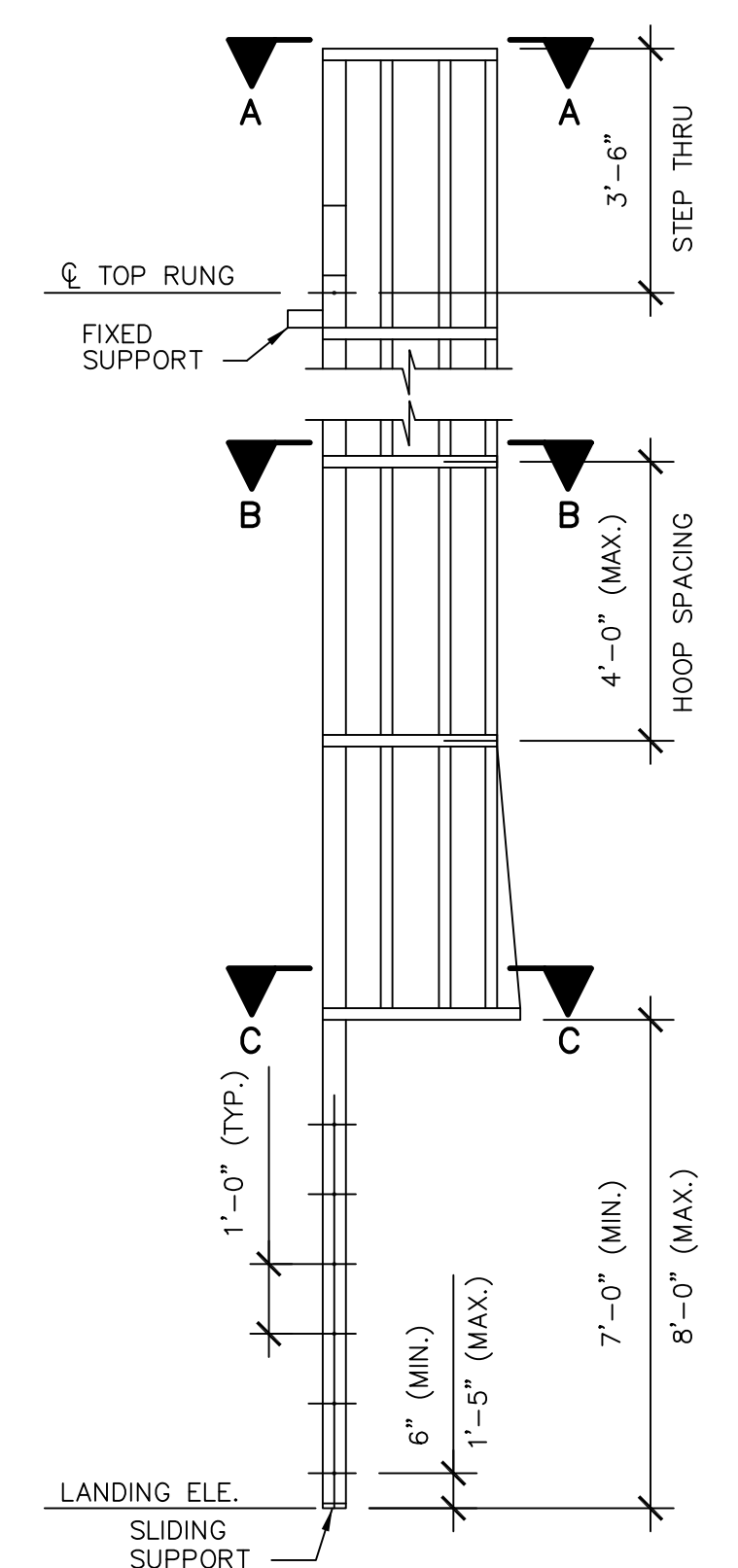


PANEL SIDES DETAIL

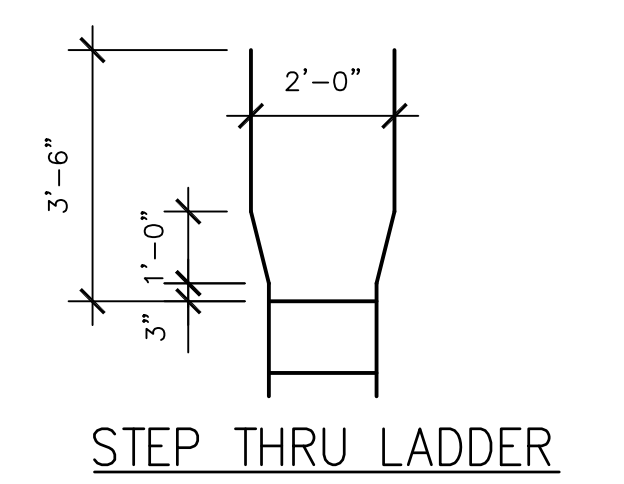


BANDING BAR DETAIL

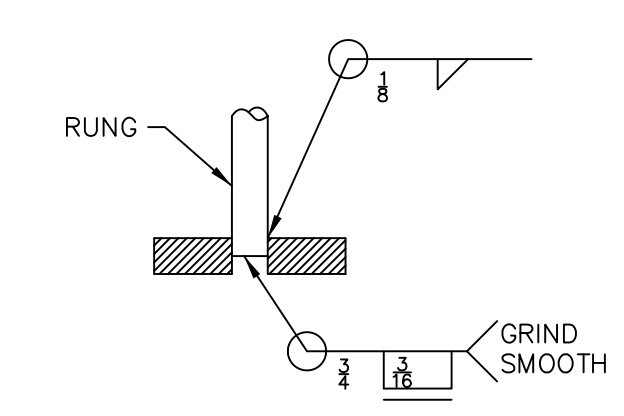
1 TYPICAL STAIR SECTIONS AND DETAILS
S-20 SCALE: NTS



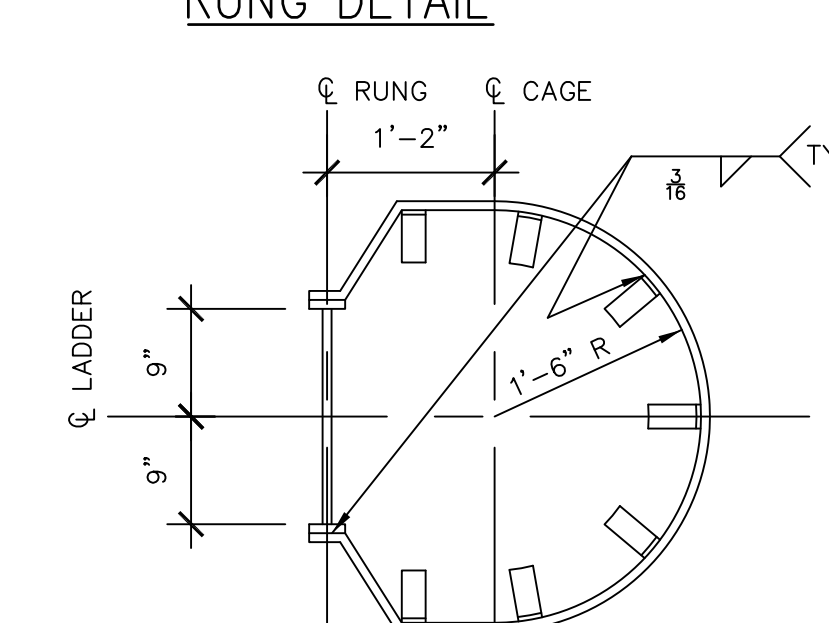
LADDER ELEVATION



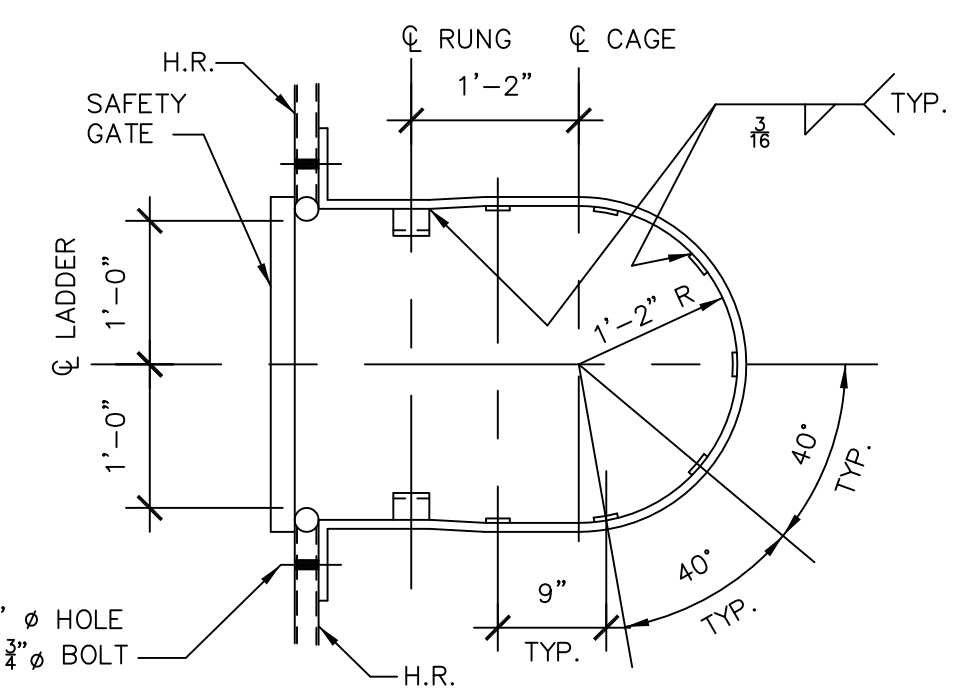
STEP THRU LADDER



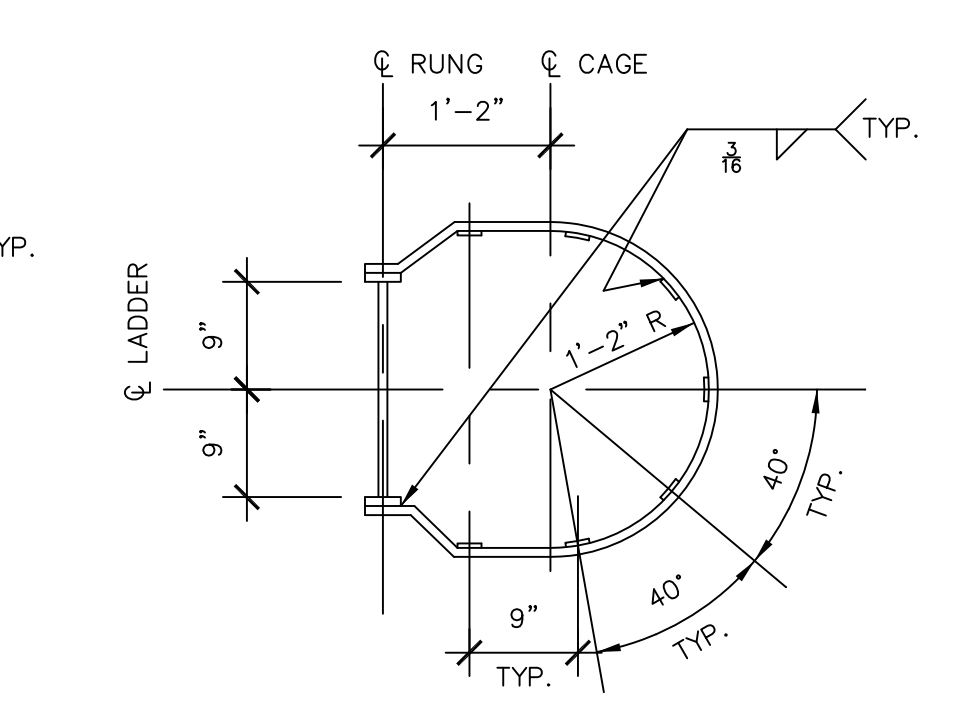
RUNG DETAIL



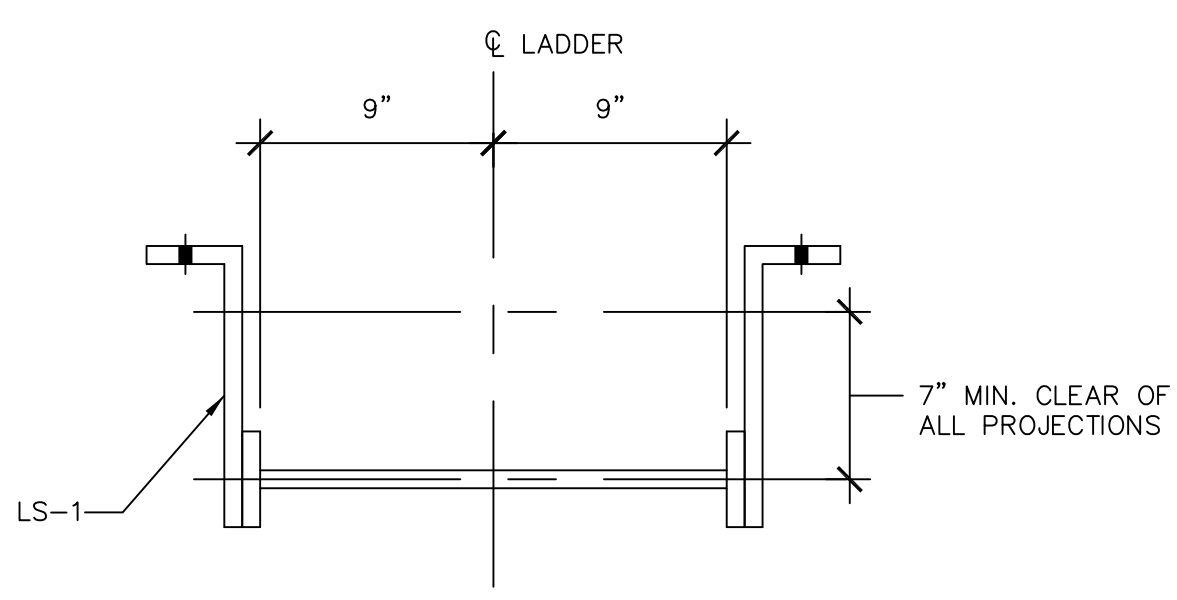
SECTION C-C



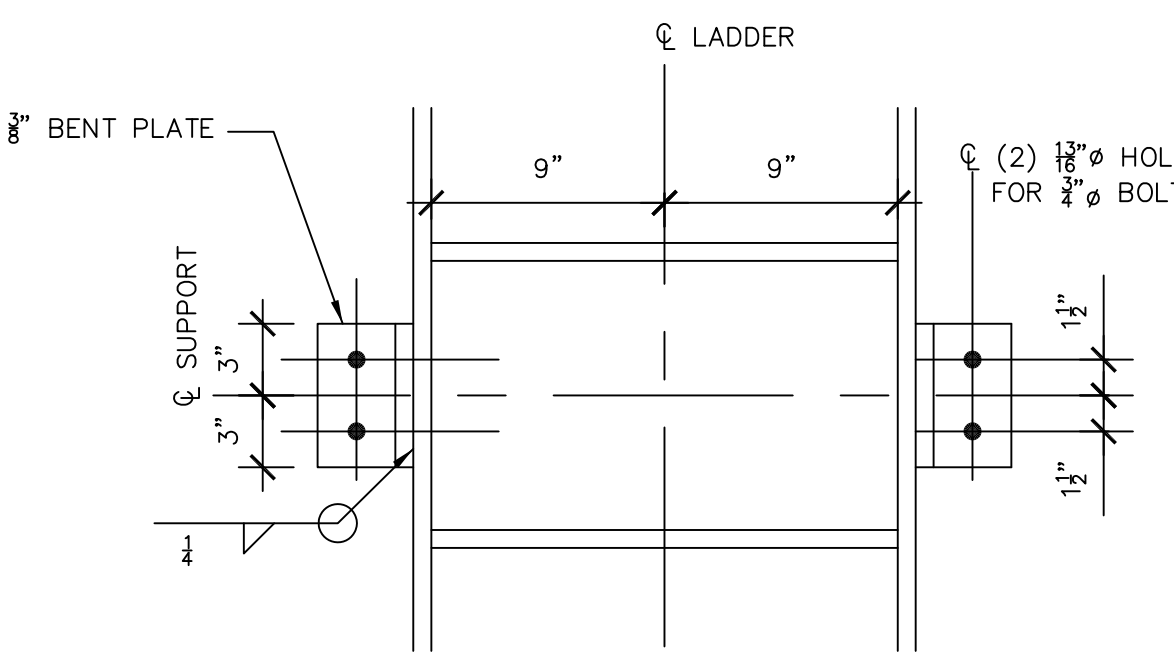
SECTION A-A



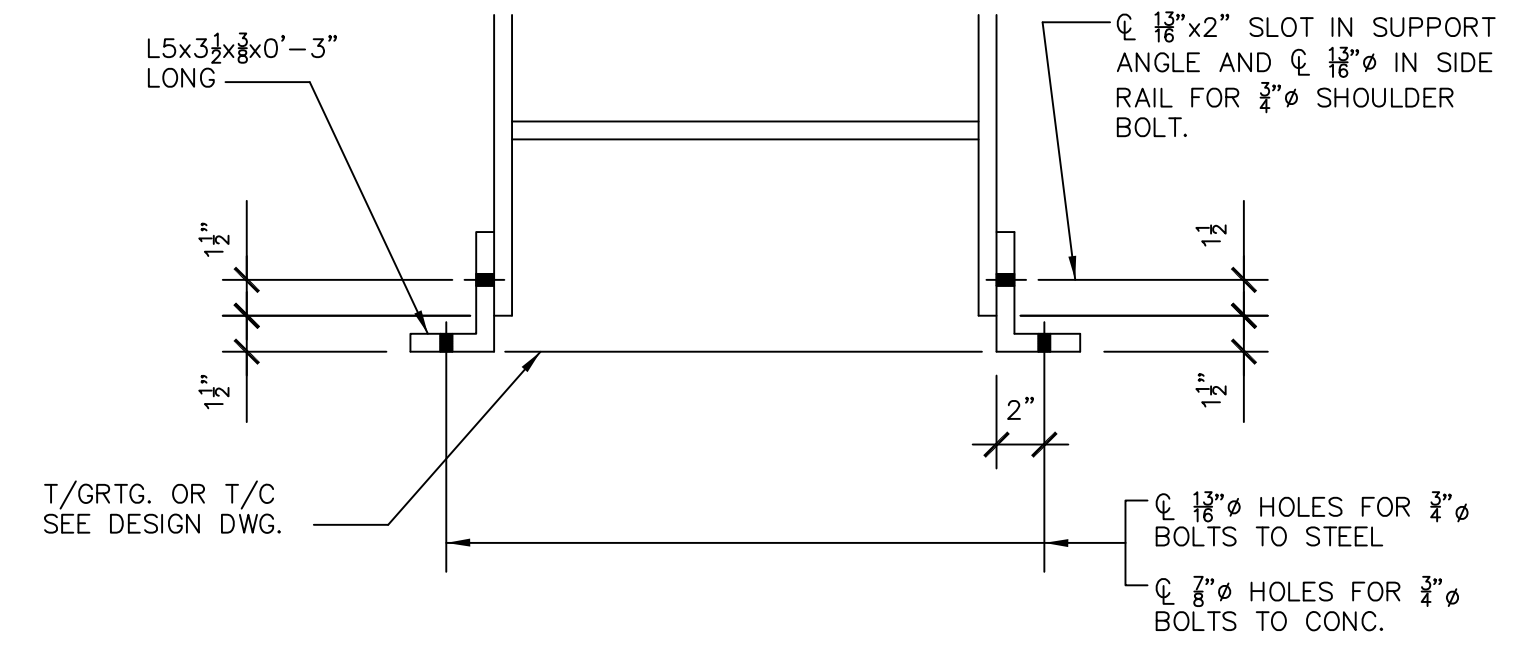
SECTION B-B



PLAN-LADDER ON STRUCTURE



FIXED SUPPORT DETAIL



SLIDING SUPPORT DETAIL

2 TYPICAL LADDER SECTIONS AND DETAILS
S-20 SCALE: NTS