

Owner:  
**WESTMINSTER COMMUNITIES OF FLORIDA**  
 80 WEST LUCERNE CIRCLE  
 Orlando, FL 32801  
 Phone: (407) 839-0707  
 Fax: (407) 839-0079

4700 Millenia Blvd., Suite 390  
 Orlando, Florida 32839  
 TEL: 407.363.6136  
 FAX: 407.363.6131  
 Copyright 2010

Project:  
**WESTMINSTER TOWERS ORLANDO**  
 DINING ROOM AND SERVING AREA RENOVATION  
 70 WEST LUCERNE ORLANDO, FL 32801

Scope Drawings:  
 These drawings indicate the general scope of the project in terms of architectural design concept, the dimensions of the building, the major architectural elements and the type of structural, mechanical and electrical systems.  
 The drawings do not necessarily indicate or describe all work required for full performance and completion of the requirements of the contract.  
 On the basis of the general scope indicated or described, the trade contractors shall furnish all items required for the proper execution and completion of the work.

Drawing Title:  
**FOODSERVICE ELEVATIONS**

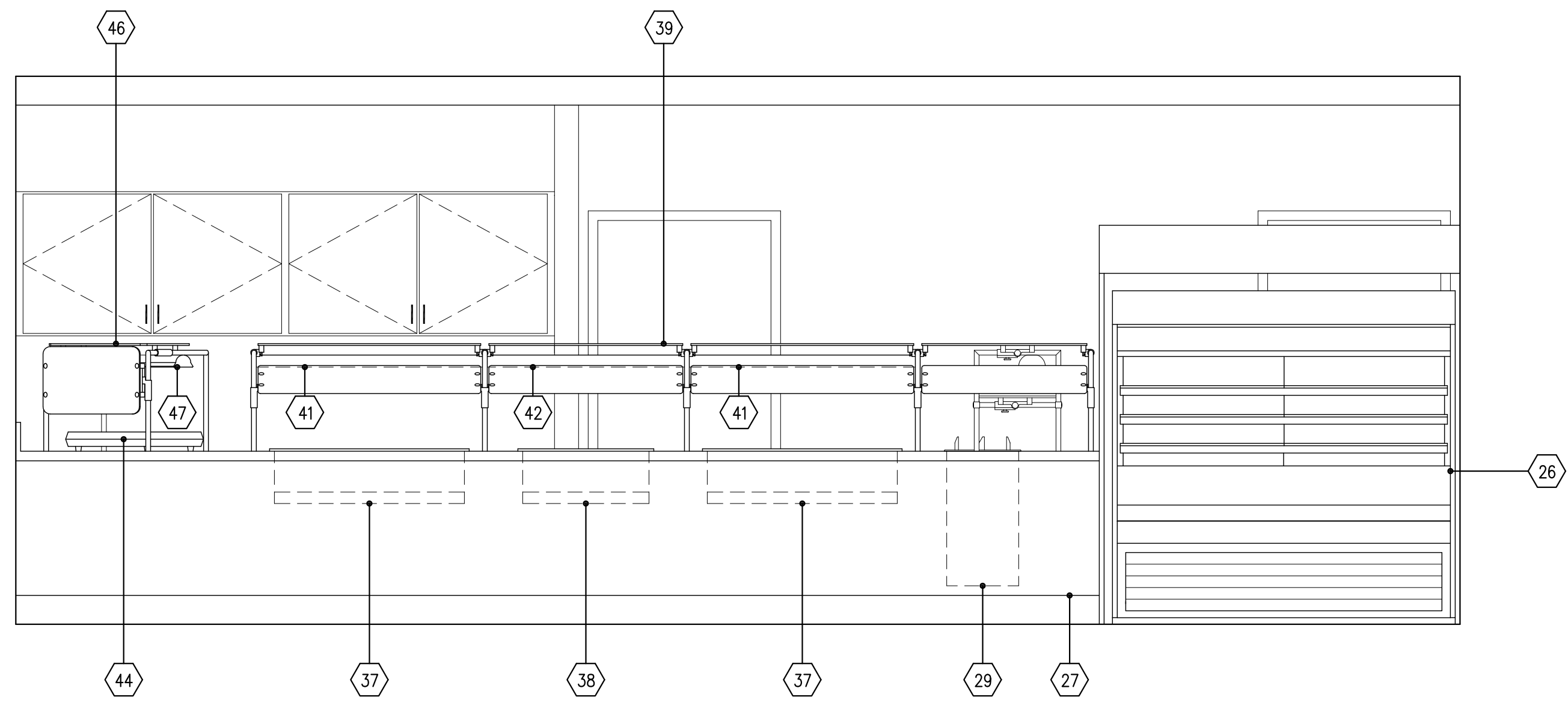
Revisions:


Issue Date	Drawn By	Checked By
05/07/10	JMH	JG/JMH

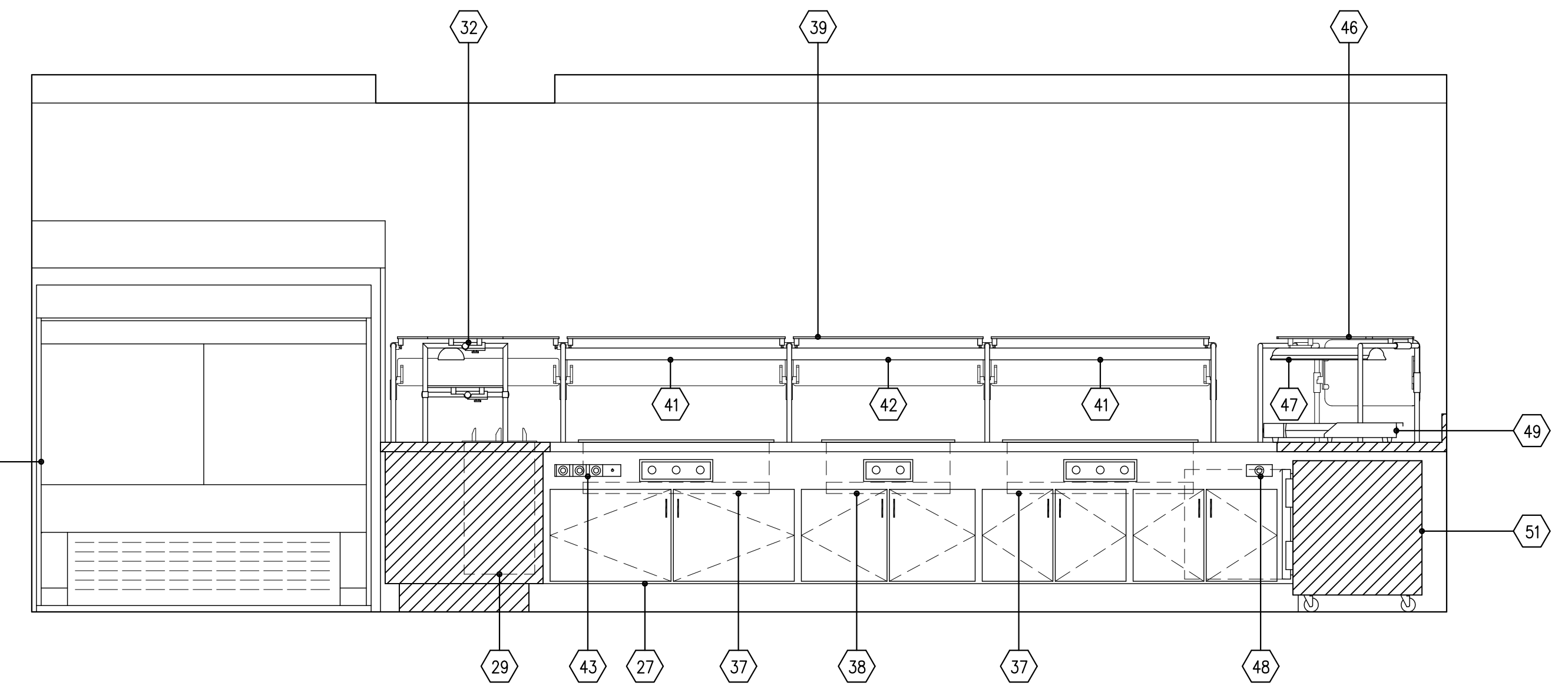
Certified By:

Drawing Number:  
**FS1.5**

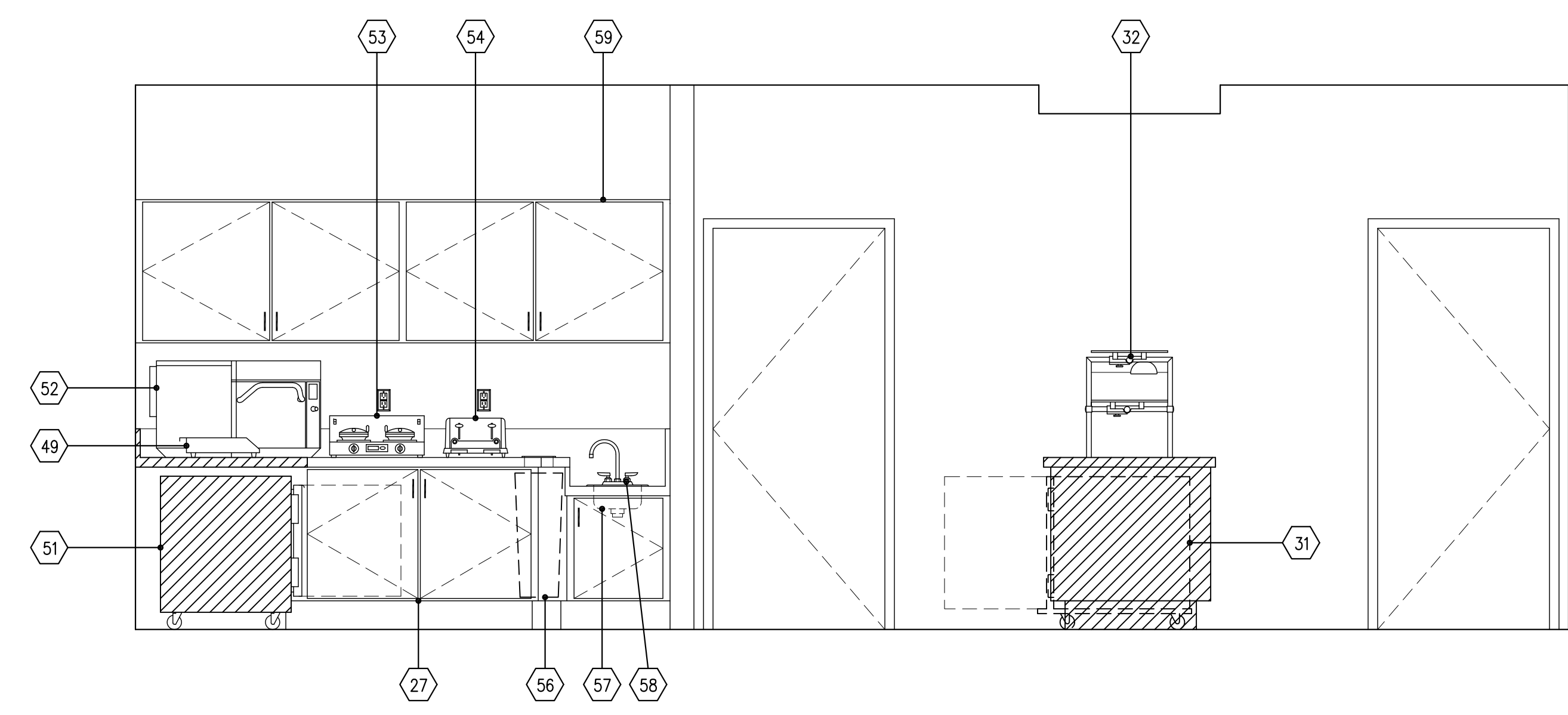
Project Number:  
 10023



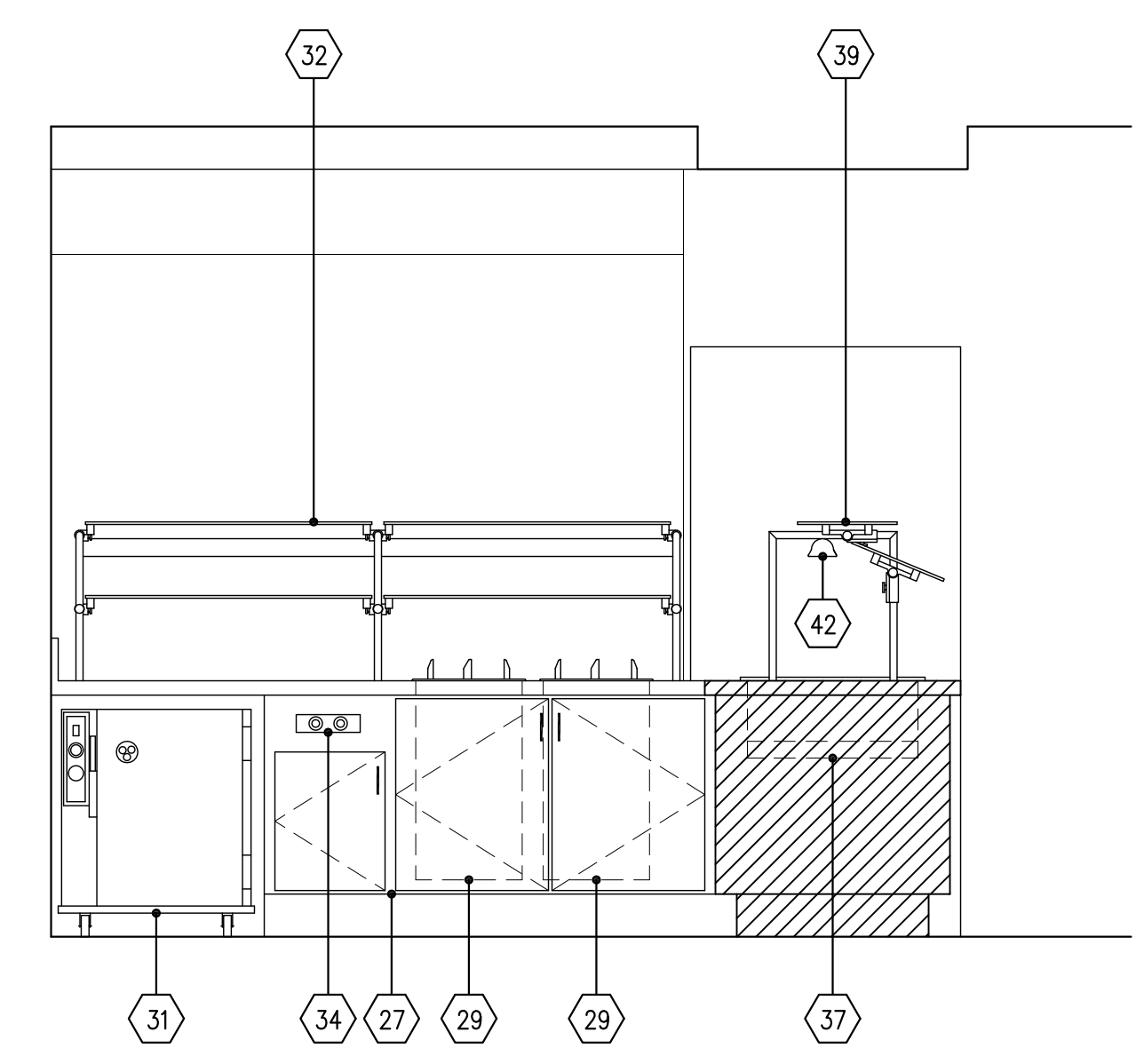
**1.0 BUFFET COUNTER - CUSTOMER SIDE**  
 FS1.5 SCALE: 1/2" = 1'-0"



**2.0A BUFFET COUNTER - SERVER SIDE**  
 FS1.5 SCALE: 1/2" = 1'-0"



**2.0B REAR SERVICE COUNTER**  
 FS1.5 SCALE: 1/2" = 1'-0"



**2.0C FULL SERVICE COUNTER**  
 FS1.5 SCALE: 1/2" = 1'-0"

DEVELOPED IN ASSOCIATION WITH:  
**INNOVATIVE FOODSERVICE DESIGN TEAM**  
 11101 NORTH 46TH STREET TAMPA, FL 33617 USA  
 WWW.INNOVATIVEFOODSERVICEDESIGNTEAM.COM  
 THE DRAWINGS AND THE RELATED INFORMATION CONTAINED HEREIN IS THE PROPERTY OF INNOVATIVE FOODSERVICE DESIGN TEAM AND SHALL NOT BE USED ON ANY WORK, IN WHOLE OR IN PART, EXCEPT BY WRITTEN AGREEMENT WITH INNOVATIVE FOODSERVICE DESIGN TEAM. UNAUTHORIZED REPRODUCTION OR USE OF THE DRAWING OR ANY PORTION OF THIS DRAWING, IN ANY MANNER, IS STRICTLY PROHIBITED. ALL RIGHTS RESERVED.  
 THIS DRAWING IS AN INSTRUMENT OF SERVICE AND REFERENCE FOR OTHER DISCIPLINES. ALL FIELD DIMENSIONS AND SITE CONDITIONS MUST BE VERIFIED. ALL DIMENSIONS ARE FROM FINISHED FLOORS AND WALLS UNLESS OTHERWISE NOTED. ALL UTILITY REQUIREMENTS MUST BE VERIFIED WITH ACTUAL EQUIPMENT PROVIDED. REFER TO ARCHITECTURAL AND/OR ENGINEERING DRAWINGS FOR FINAL SIZES AND LOCATIONS OF FLOOR FINISHES, FLOOR FINISHES, MECHANICAL EQUIPMENT, CEILING, FLOOR, AND OTHER SIMILAR ITEMS OR INFORMATION.  
 ALL PLUMBING AND ELECTRICAL CONNECTIONS SHALL BE BY OTHERS AND ARE EXCLUDED FROM THE FOODSERVICE EQUIPMENT CONTRACTOR'S SCOPE OF WORK. MECHANICAL EQUIPMENT AND DUCTWORK SHALL BE BY OTHERS UNLESS OTHERWISE NOTED ON DRAWINGS OR IN THE WRITTEN SPECIFICATIONS.  
 VERIFY THE SCALE OF THE DRAWING TO ENSURE ACCURACY AS PLOTTING OR REPRODUCTION AT A DIFFERENT SCALE THAN THE SCALE(S) SHOWN MAY LEAD TO DIMENSIONAL INACCURACY.  
 © COPYRIGHT 2010  
 INNOVATIVE FOODSERVICE DESIGN TEAM  
 ALL RIGHTS RESERVED