

Scope Drawings:
 These drawings indicate the general scope of the project in terms of architectural design concept, the dimensions of the building, the major architectural elements and the type of structural, mechanical and electrical systems.
 The drawings do not necessarily indicate or describe all work required for full performance and completion of the requirements of the contract.
 On the basis of the general scope indicated or described, the trade contractors shall furnish all items required for the proper execution and completion of the work.

Drawing Title:
FOODSERVICE DETAILS

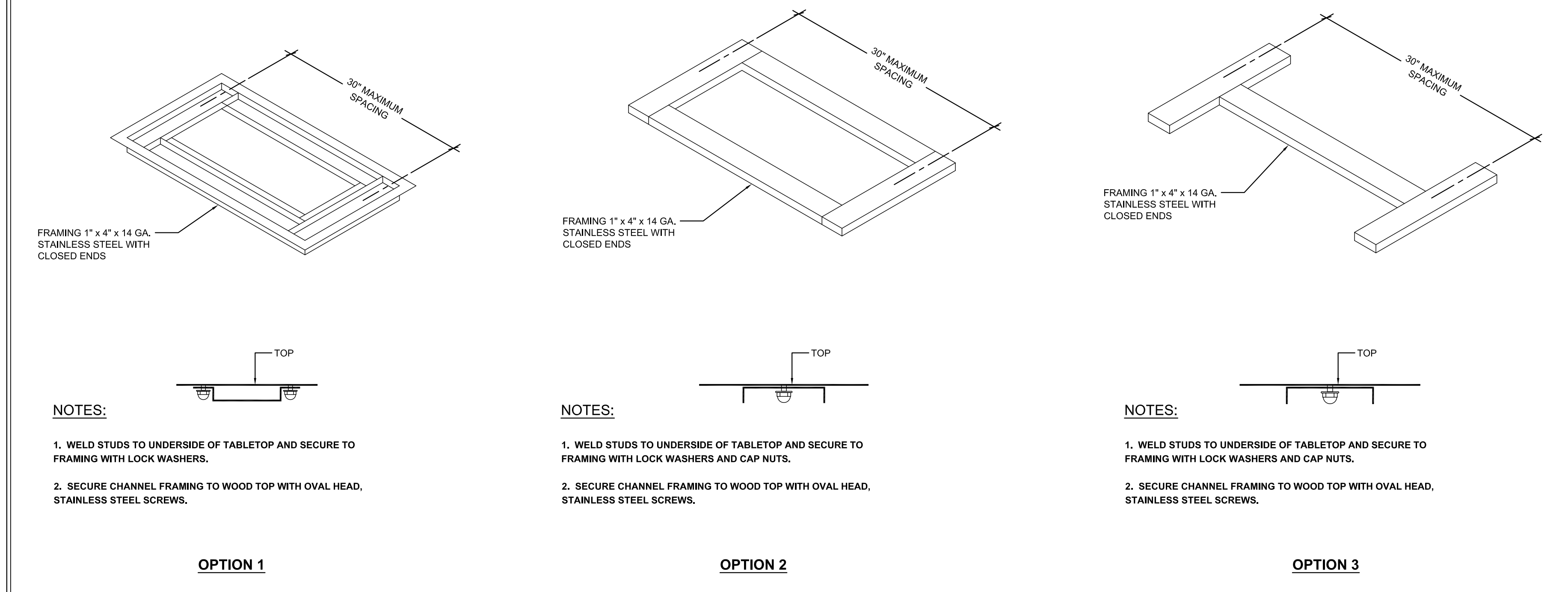
Revisions:

Issue Date	Drawn By	Checked By
05/07/10	JMH	JG/JMH

Certified By:

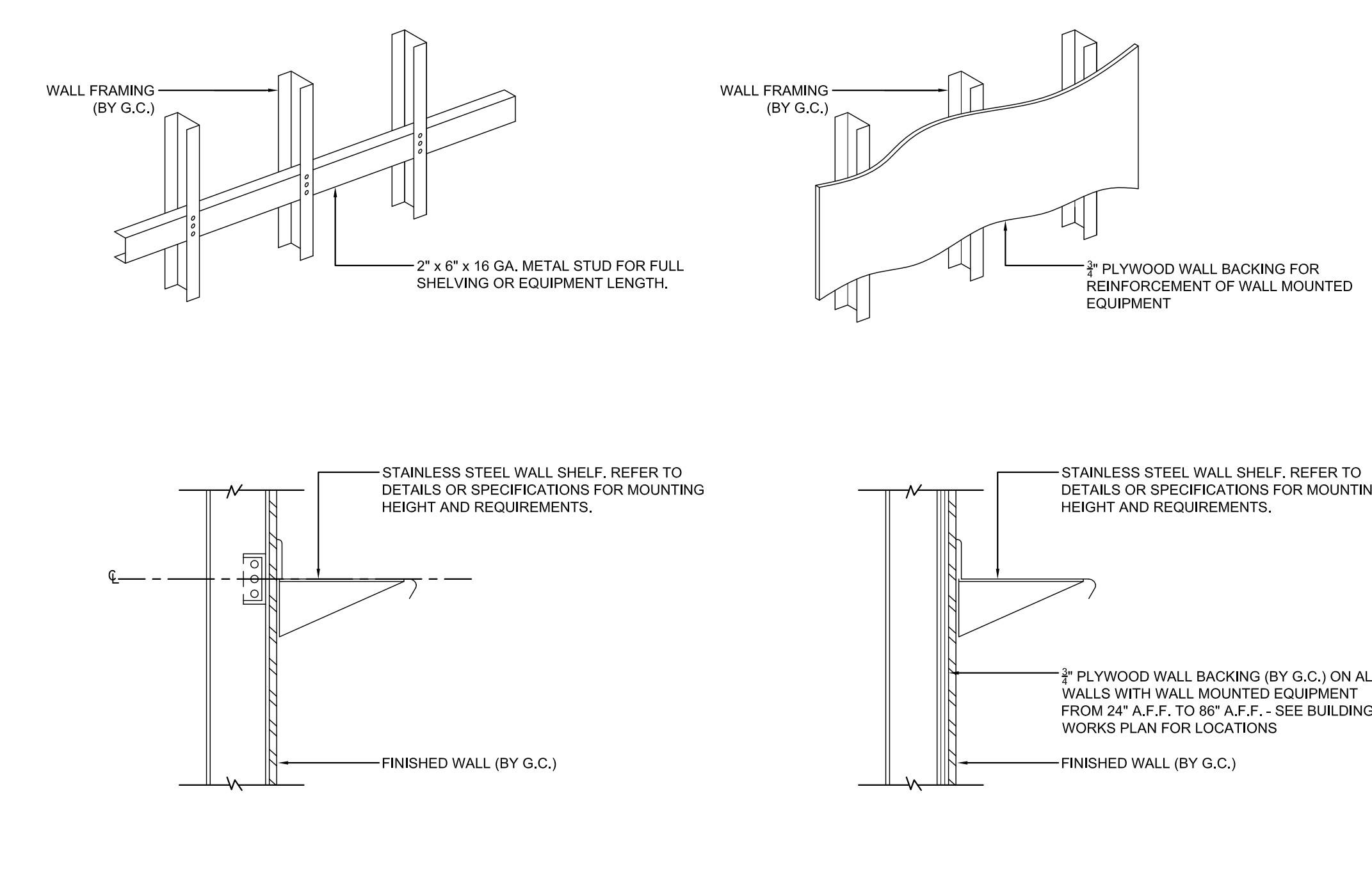
Drawing Number:
FS1.8

Project Number:
 10023

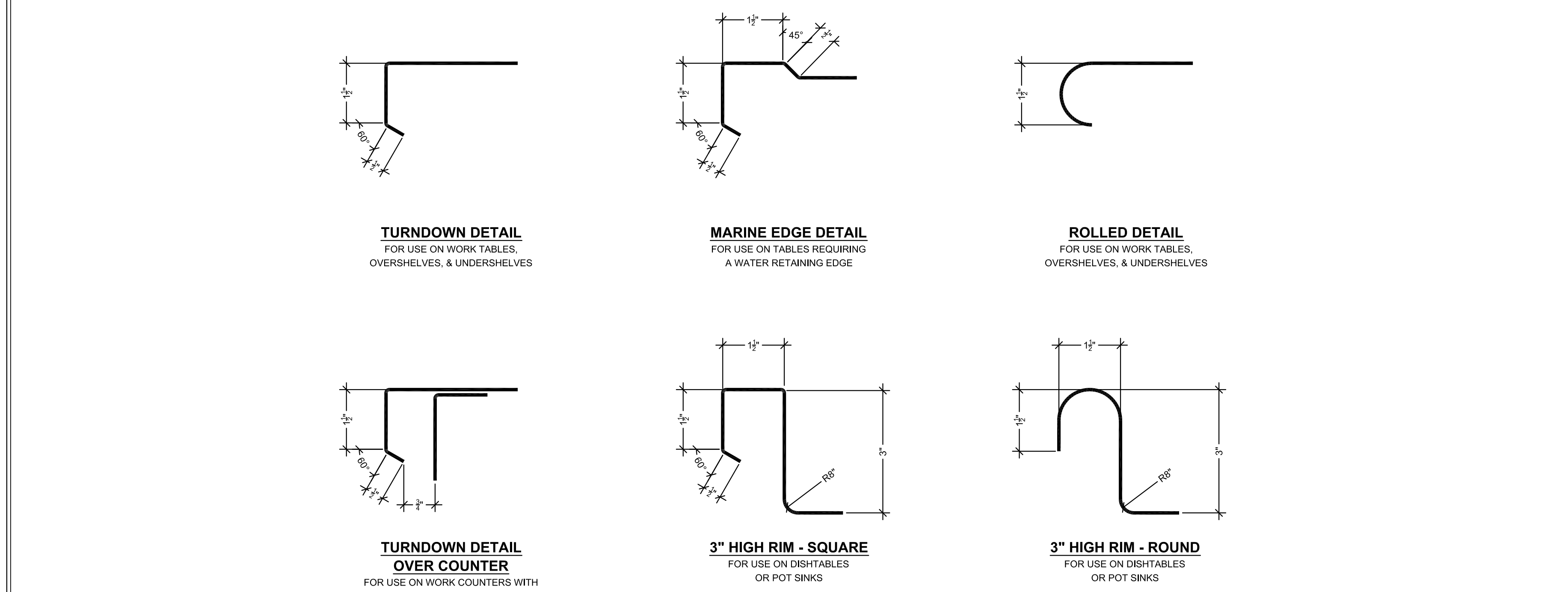


- NOTES:**
1. WELD STUDS TO UNDERSIDE OF TABLETOP AND SECURE TO FRAMING WITH LOCK WASHERS.
 2. SECURE CHANNEL FRAMING TO WOOD TOP WITH OVAL HEAD, STAINLESS STEEL SCREWS.

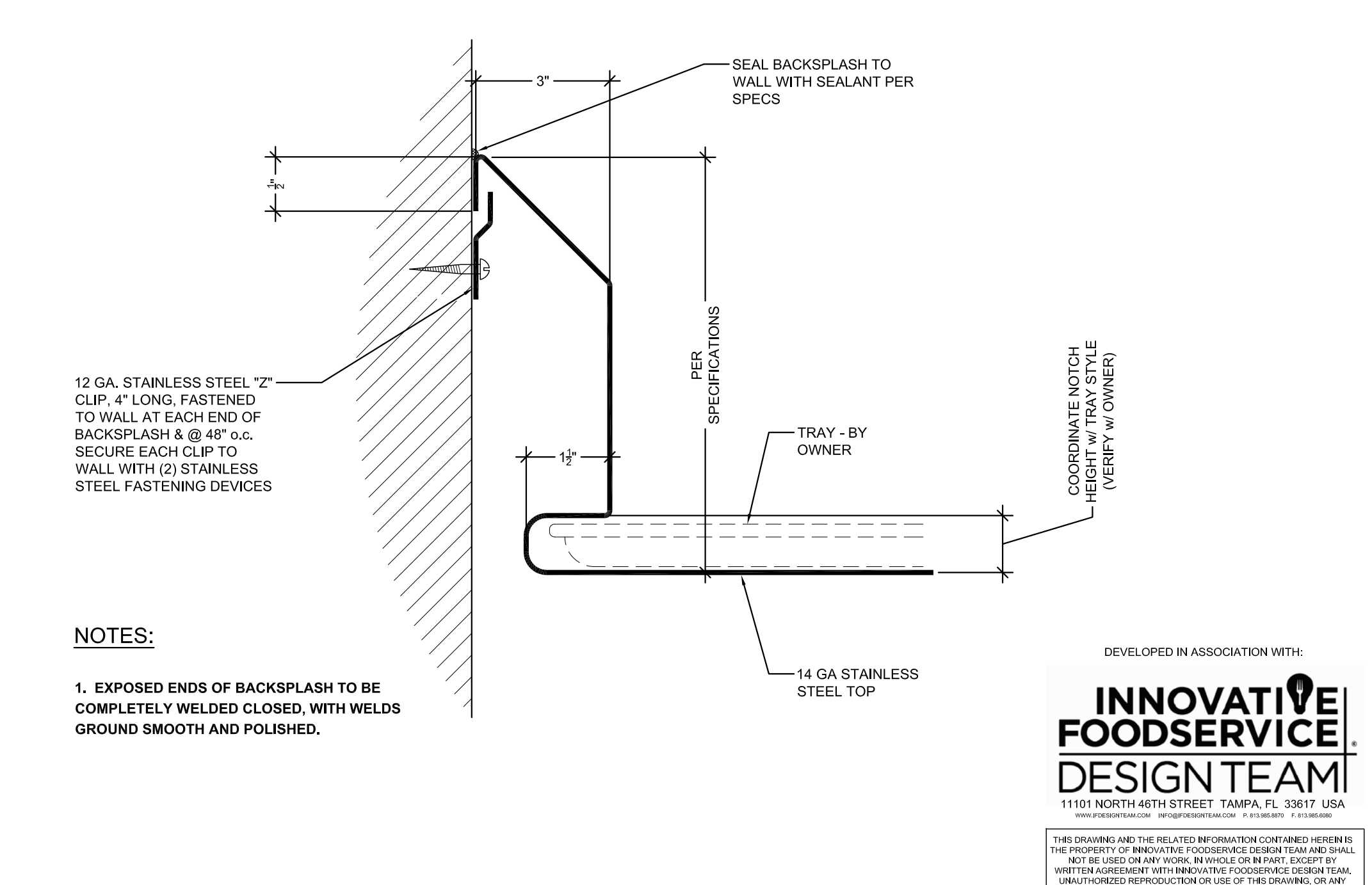
6.0 TYPICAL TABLE-TOP UNDER-BRACING DETAILS
 FS1.8 GENERAL FABRICATION SPEC
 NO SCALE



7.0 TYPICAL WALL BACKING DETAILS
 FS1.8 FOR USE WITH WALL MOUNTED SHELVING OR EQUIPMENT
 NO SCALE



8.0 TYPICAL EDGE DETAILS
 FS1.8 GENERAL FABRICATION SPEC
 NO SCALE



- NOTES:**
1. EXPOSED ENDS OF BACKSPASH TO BE COMPLETELY WELDED CLOSED, WITH WELDS GROUND SMOOTH AND POLISHED.

9.0 BACKSPASH w/ TRAY LOCK NOTCH DETAIL
 FS1.8 GENERAL FABRICATION SPEC
 NO SCALE

DEVELOPED IN ASSOCIATION WITH:

INNOVATIVE FOODSERVICE DESIGN TEAM
 11101 NORTH 46TH STREET TAMPA, FL 33617 USA

THIS DRAWING AND THE RELATED INFORMATION CONTAINED HEREIN IS THE PROPERTY OF INNOVATIVE FOODSERVICE DESIGN TEAM AND SHALL NOT BE USED ON ANY WORK, IN WHOLE OR IN PART, EXCEPT BY WRITTEN AGREEMENT WITH INNOVATIVE FOODSERVICE DESIGN TEAM. UNAUTHORIZED REPRODUCTION OR USE OF THIS DRAWING OR ANY PORTION THEREOF IS PROHIBITED. ALL RIGHTS RESERVED. © 2010 INNOVATIVE FOODSERVICE DESIGN TEAM.

THIS DRAWING IS AN INSTRUMENT OF SERVICE AND REFERENCE FOR OTHER DISCIPLINES. ALL FIELD DIMENSIONS AND SITE CONDITIONS MUST BE VERIFIED WITH ACTUAL EQUIPMENT PROVIDED. REFER TO ARCHITECTURAL AND/OR ENGINEERING DRAWINGS FOR FINISHES AND LOCATIONS OF FLOOR, CEILING, FLOOR FINISHES, MECHANICAL EQUIPMENT, GREASE TRAP, AND OTHER SIMILAR ITEMS OR INFORMATION.

ALL PLUMBING AND ELECTRICAL CONNECTIONS SHALL BE BY OTHERS AND ARE EXCLUDED FROM THE FOODSERVICE EQUIPMENT CONTRACTORS SCOPE OF WORK. MECHANICAL EQUIPMENT AND DUCTWORK SHALL BE BY OTHERS UNLESS OTHERWISE NOTED ON DRAWINGS OR IN THE WRITTEN SPECIFICATIONS.

VERIFY THE SCALE OF THE DRAWING TO ENSURE ACCURACY AS PLOTTING OR REPRODUCTION AT A DIFFERENT SCALE THAN THE SCALE SHOWN MAY LEAD TO DIMENSIONAL INACCURACY.

© COPYRIGHT 2010
 INNOVATIVE FOODSERVICE DESIGN TEAM
 ALL RIGHTS RESERVED